



***Product & Parts Catalog***  
***Automatic Spray Guns***



Product & Parts Catalog

## Index

	Page
<b>Automatic Spray Guns</b>	
LPA100 .....	2
LPA200 .....	4
WA100 .....	6
WA100 R.....	8
WA200.....	10
WA200 ZP.....	12
WRA100.....	14
WRA200.....	16
LRA200 .....	18
SGA100.....	20
WA1218/0915/0609.....	22

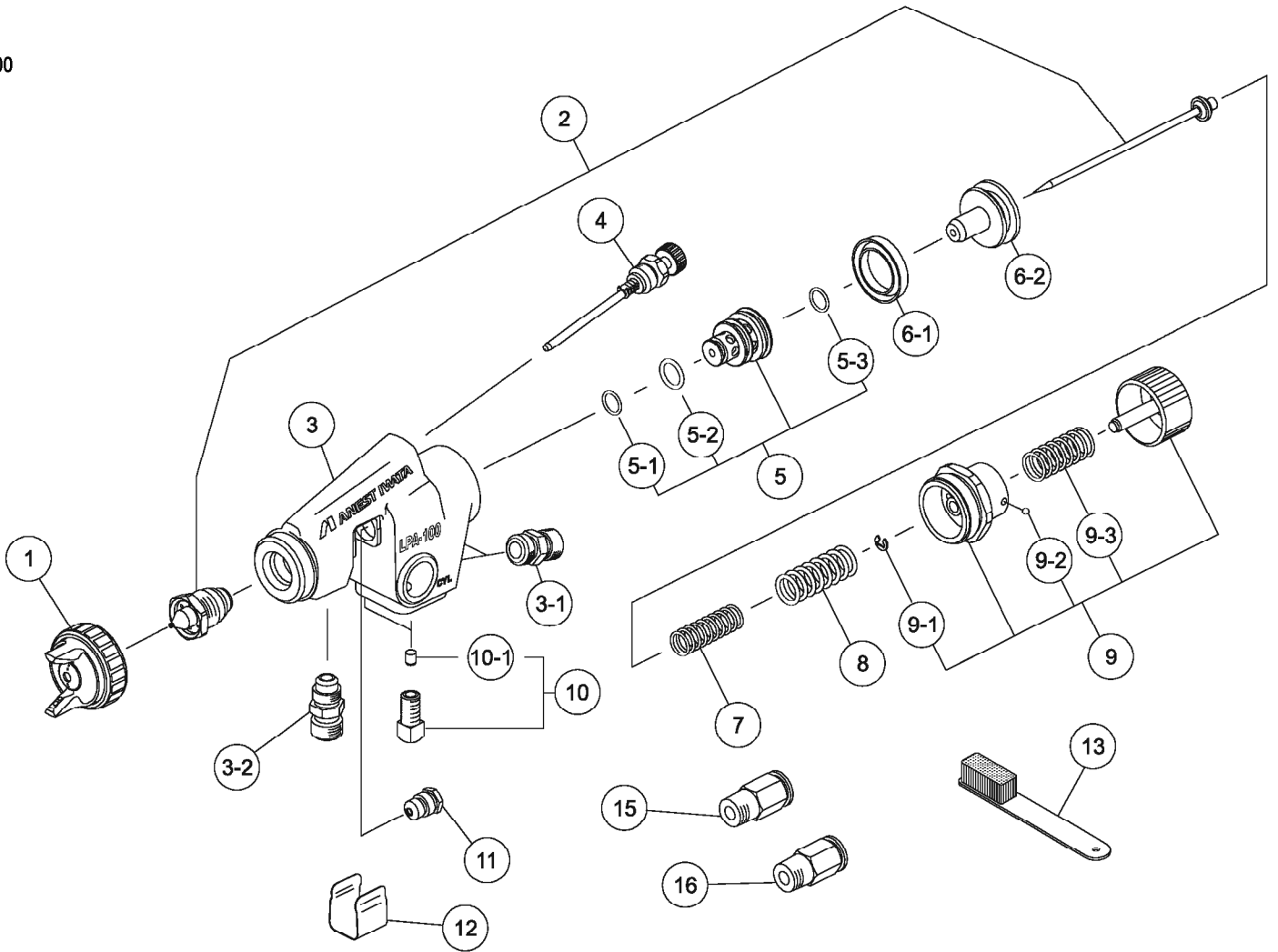


Automatic Spray Guns

LPA-100

Ref #	Part #	Description	Qty	Remarks
1	93832531	AIR CAP SET "E1"	1	
2	93818620	NOZZLE/NEEDLE SET 1.0	1	
3	N/A	GUN BODY	1	
3-1	93502620	AIR NIPPLE	2	1/4"
3-2	93584530	FLUID NIPPLE	1	1/4"
4	93801620	FAN ADJUSTING SET	1	
5	93805620	AIR VALVE SEAT SET	1	
5-1		O RING	1	SUPPLY AS 500
5-2		O RING	1	SUPPLY AS 500
5-3		O RING	1	SUPPLY AS 500
6-1	93903440	PISTON PACKING	1	2PCS/PACK
6-2	93511580	PISTON	1	
7	93514580	NEEDLE SPRING	1	
8	93513580	PISTON SPRING	1	
9	93840581	FLUID ADJUSTING SET	1	
9-1	93912030	STOPPER	1	2PCS/PACK
9-2	93914730	STEEL BALL	1	2PCS/PACK
9-3	93104420	FLUID ADJUST SPRING	1	
10	93811580	BOLT SET	2	
10-1	93810580	BOLT CAP	2	
11	93810620	NEEDLE PACKING SET	1	
12	93522580	COVER	1	
13	96990600	BRUSH (CLEANING)	1	
15	96801162	HALF UNION	1	FOR PISTON (6mm)
16	96801182	HALF UNION	1	FOR ATOMIZATION (8mm)
500	93849620	O RING SET	1	5-1, 5-2, 5-3
	93834580	AIR VALVE SEAT SET TOOL		

LPA100



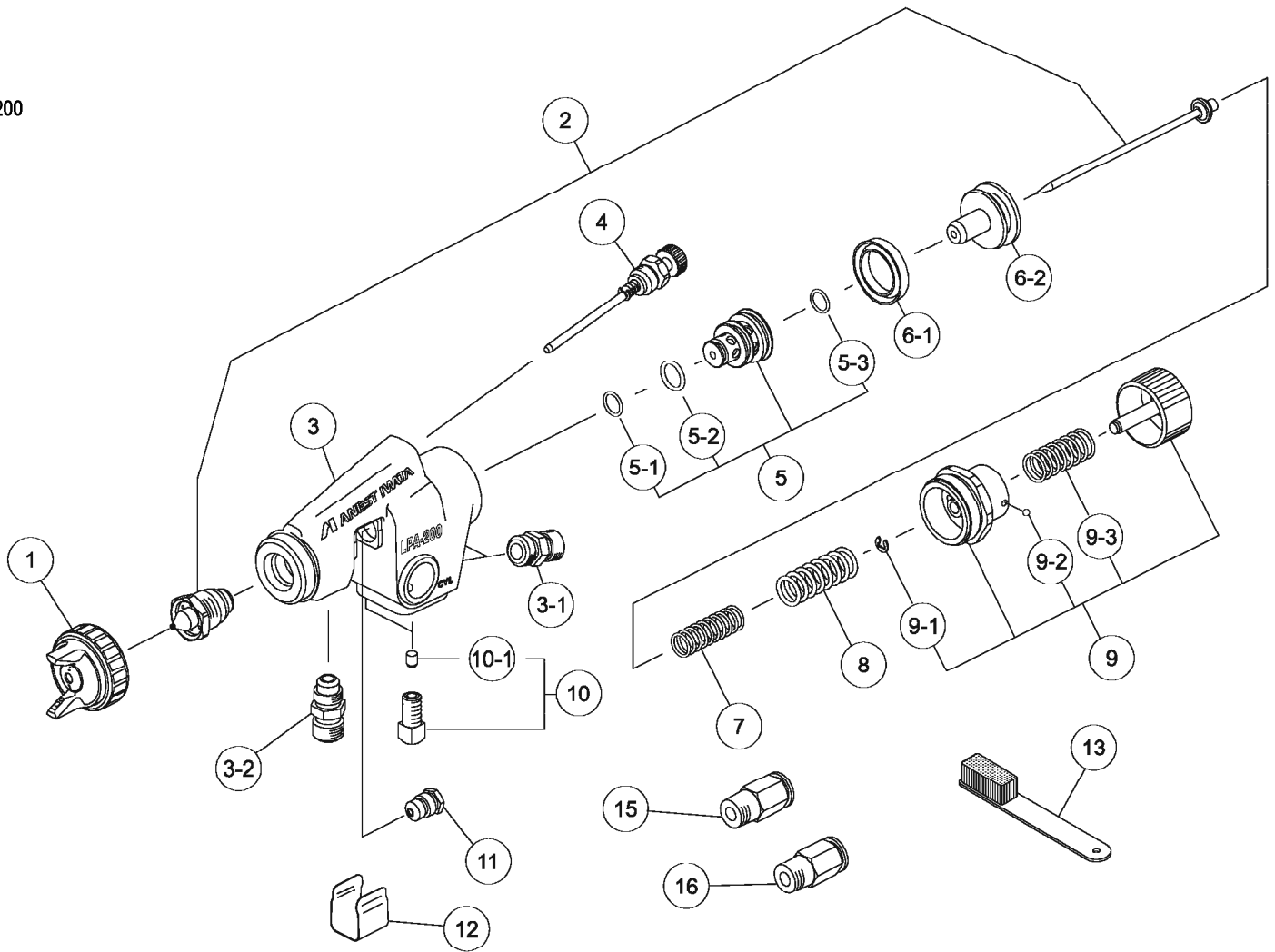


Automatic Spray Guns

LPA200

Ref #	Part #	Description	Qty	Remarks
1	93822601	AIR CAP SET "G2"	1	
2	93826620	NOZZLE/NEEDLE SET 1.2	1	
3	N/A	GUN BODY	1	
3-1	93502620	AIR NIPPLE	2	1/4"
3-2	93515600	FLUID NIPPLE	1	3/8"
4	93812621	FAN ADJUSTING SET	1	
5	93805620	AIR VALVE SEAT SET	1	
5-1		O RING	1	SUPPLY AS 500
5-2		O RING	1	SUPPLY AS 500
5-3		O RING	1	SUPPLY AS 500
6-1	93903440	PISTON PACKING	1	2PCS/PACK
6-2	93511580	PISTON	1	
7	93514580	NEEDLE SPRING	1	
8	93513580	PISTON SPRING	1	
9	93840581	FLUID ADJUSTING SET	1	
9-1	93912030	STOPPER	1	2PCS/PACK
9-2	93914730	STEEL BALL	1	2PCS/PACK
9-3	93104420	FLUID ADJUST SPRING	1	
10	93811580	BOLT SET	2	
10-1	93810580	BOLT CAP	2	
11	93810620	NEEDLE PACKING SET	1	
12	93522580	COVER	1	
13	96990600	BRUSH (CLEANING)	1	
15	96801162	HALF UNION	1	FOR PISTON (6mm)
16	96801182	HALF UNION	1	FOR ATOMIZATION (8mm)
500	93849620	O RING SET	1	5-1, 5-2, 5-3
	93834580	AIR VALVE SEAT SET TOOL		

LPA200



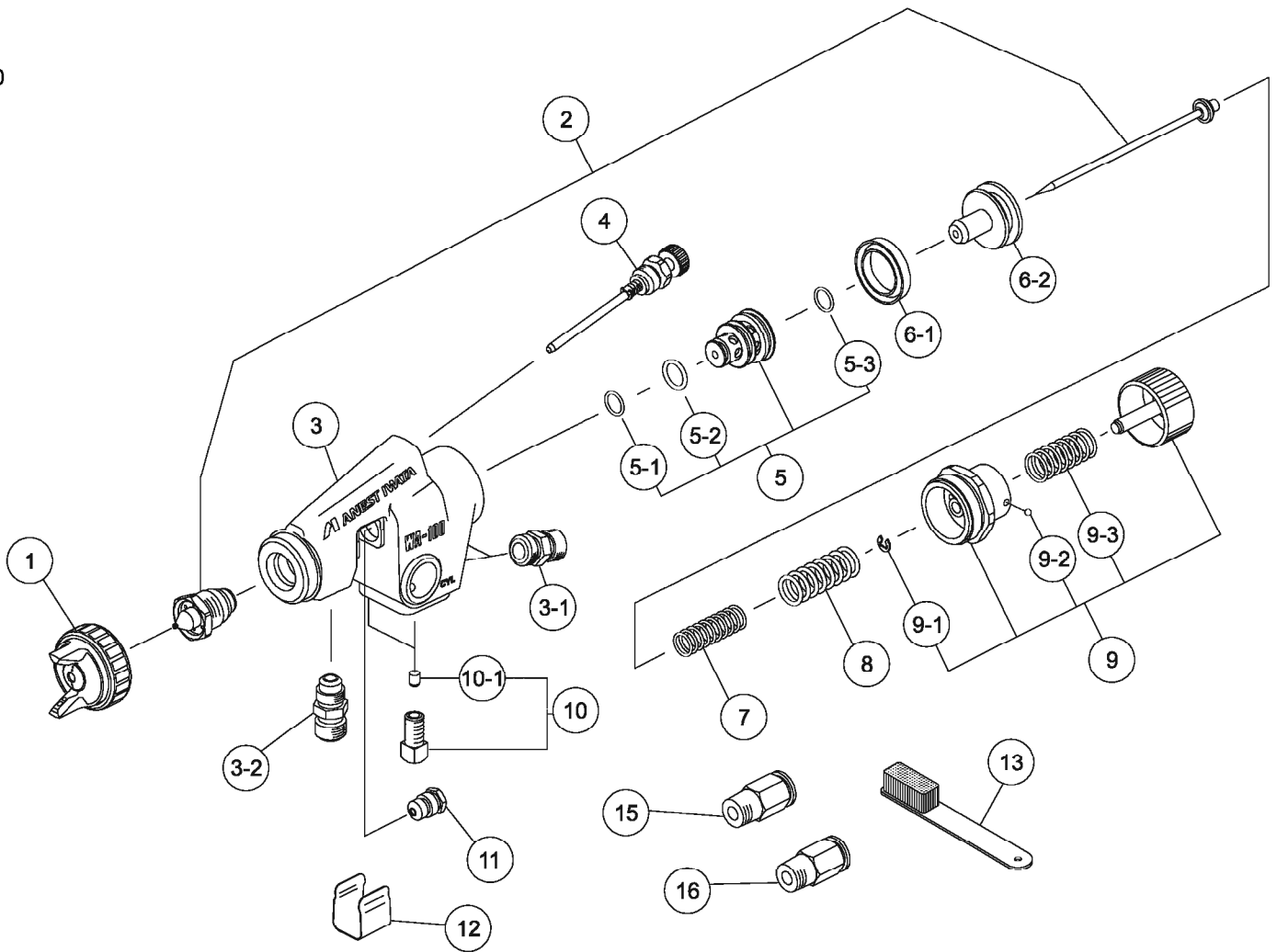


Automatic Spray Guns

WA100

Ref #	Part #	Description	Qty	Remarks
1	93810611	AIR CAP SET "E2P"	1	082P, 102P
1	93803611	AIR CAP SET "E1"	1	101P
1	93800611	AIR CAP SET "H2"	1	132P
2	93811620	NOZZLE/NEEDLE SET 0.8	1	
2	93808620	NOZZLE/NEEDLE SET 1.0	1	
2	93813620	NOZZLE/NEEDLE SET 1.3	1	
3	N/A	GUN BODY	1	
3-1	93502620	AIR NIPPLE	2	1/4"
3-2	93584530	FLUID NIPPLE	1	1/4"
4	93801620	FAN ADJUSTING SET	1	
5	93805620	AIR VALVE SEAT SET	1	
5-1		O RING	1	SUPPLY AS 500
5-2		O RING	1	SUPPLY AS 500
5-3		O RING	1	SUPPLY AS 500
6-1	93903440	PISTON PACKING	1	2PCS/PACK
6-2	93511580	PISTON	1	
7	93514580	NEEDLE SPRING	1	
8	93513580	PISTON SPRING	1	
9	93840581	FLUID ADJUSTING SET	1	
9-1	93912030	STOPPER	1	2PCS/PACK
9-2	93914730	STEEL BALL	1	2PCS/PACK
9-3	93104420	FLUID ADJUST SPRING	1	
10	93811580	BOLT SET	2	
10-1	93810580	BOLT CAP	2	
11	93810620	NEEDLE PACKING SET	1	
12	93522580	COVER	1	
13	96990600	BRUSH (CLEANING)	1	
15	96801162	HALF UNION	1	FOR PISTON (6mm)
16	96801182	HALF UNION	1	FOR ATOMIZATION (8mm)
500	93849620	O RING SET	1	5-1, 5-2, 5-3
	93834580	AIR VALVE SEAT SET TOOL		

WA100





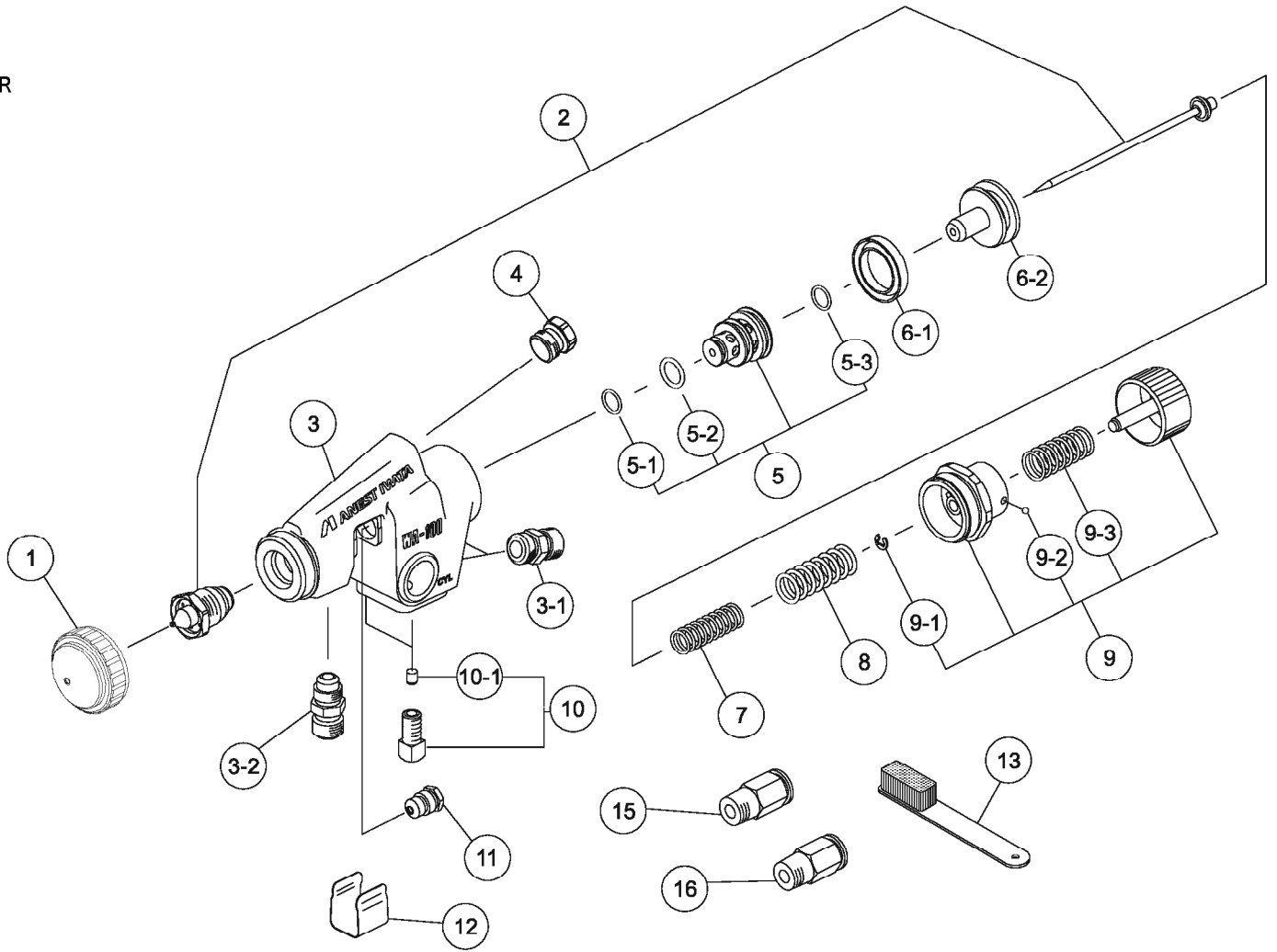


Automatic Spray Guns

WA100R

Ref #	Part #	Description	Qty	Remarks
1	93815621	AIR CAP SET "R"	1	
2	93816620	NOZZLE/NEEDLE SET 0.5	1	
3	N/A	GUN BODY	1	
3-1	93502620	AIR NIPPLE	2	1/4"
3-2	93584530	FLUID NIPPLE	1	1/4"
4	93625370	BLANK SCREW	1	
5	93805620	AIR VALVE SEAT SET	1	
5-1		O RING	1	SUPPLY AS 500
5-2		O RING	1	SUPPLY AS 500
5-3		O RING	1	SUPPLY AS 500
6-1	93903440	PISTON PACKING	1	2PCS/PACK
6-2	93511580	PISTON	1	
7	93514580	NEEDLE SPRING	1	
8	93513580	PISTON SPRING	1	
9	93840581	FLUID ADJUSTING SET	1	
9-1	93912030	STOPPER	1	2PCS/PACK
9-2	93914730	STEEL BALL	1	2PCS/PACK
9-3	93104420	FLUID ADJUST SPRING	1	
10	93811580	BOLT SET	2	
10-1	93810580	BOLT CAP	2	
11	93810620	NEEDLE PACKING SET	1	
12	93522580	COVER	1	
13	96990600	BRUSH (CLEANING)	1	
15	96801162	HALF UNION	1	FOR PISTON (6mm)
16	96801182	HALF UNION	1	FOR ATOMIZATION (8mm)
500	93849620	O RING SET	1	5-1, 5-2, 5-3
	93834580	AIR VALVE SEAT SET TOOL		

WA100 R



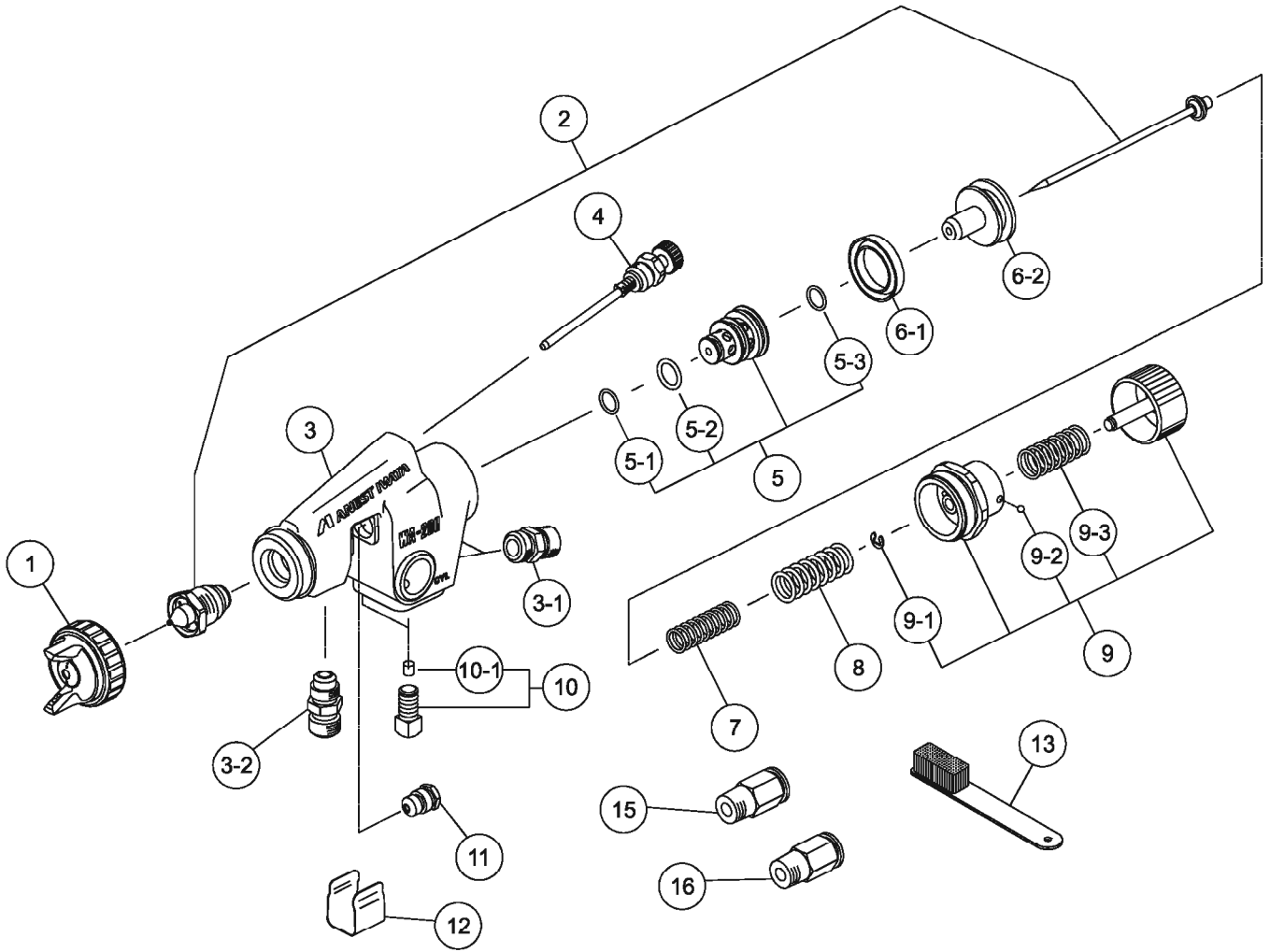


Automatic Spray Guns

WA200

Ref #	Part #	Description	Qty	Remarks
1	93813611	AIR CAP SET "W1"	1	251P
1	93814611	AIR CAP SET "R2"	1	202P
1	93816611	AIR CAP SET "K2"	1	152P
1	93818611	AIR CAP SET "G2P"	1	122P/082/102
2	93820620	NEEDLE/NOZZLE SET 1.2	1	122P
2	93821620	NEEDLE/NOZZLE SET 1.5	1	152P
2	93822620	NEEDLE/NOZZLE SET 2.0	1	202P
2	93824620	NEEDLE/NOZZLE SET 2.5	1	251P
2	93853620	NEEDLE/NOZZLE SET 0.8	1	082
2	93855620	NEEDLE/NOZZLE SET 1.0	1	102
3	N/A	GUN BODY SET	1	
3-1	93502620	AIR NIPPLE	2	
3-2	93515600	FLUID NIPPLE	1	
4	93812621	SPREAD ADJ. SET	1	
5	93805620	AIR VALVE SEAT SET	1	
5-1		O RING	1	SUPPLY AS 500
5-2		O RING	1	SUPPLY AS 500
5-3		O RING	1	SUPPLY AS 500
6-1	93903440	PISTON PACKING (2PCS/1PK)	1	
6-2	93511580	PISTON	1	
7	93514580	NEEDLE SPRING	1	
8	93513580	PISTON SPRING	1	
9	93840581	FLUID ADJ. SET W/ RATCHET	1	
9-1	93912030	E STOPPER	1	2PCS/PACK
9-2	93914730	STEEL BALL	1	2PCS/PACK
9-3	93104420	FLUID ADJ. SPRING	1	
10	93811580	BOLT SET	2	
10-1	93810580	BOLT CAP	2	
11	93810620	NEEDLE PACK SET	1	
12	93522580	COVER	1	
13	96990600	BRUSH (CLEANING)	1	
15	96801162	HALF UNION	1	FOR PISTON (6mm)
16	96801182	HALF UNION	1	FOR ATOMIZATION (8mm)
500	93849620	O RING SET	1	5-1, 5-2, 5-3
	93834580	AIR VALVE SEAT SET TOOL		

WA200



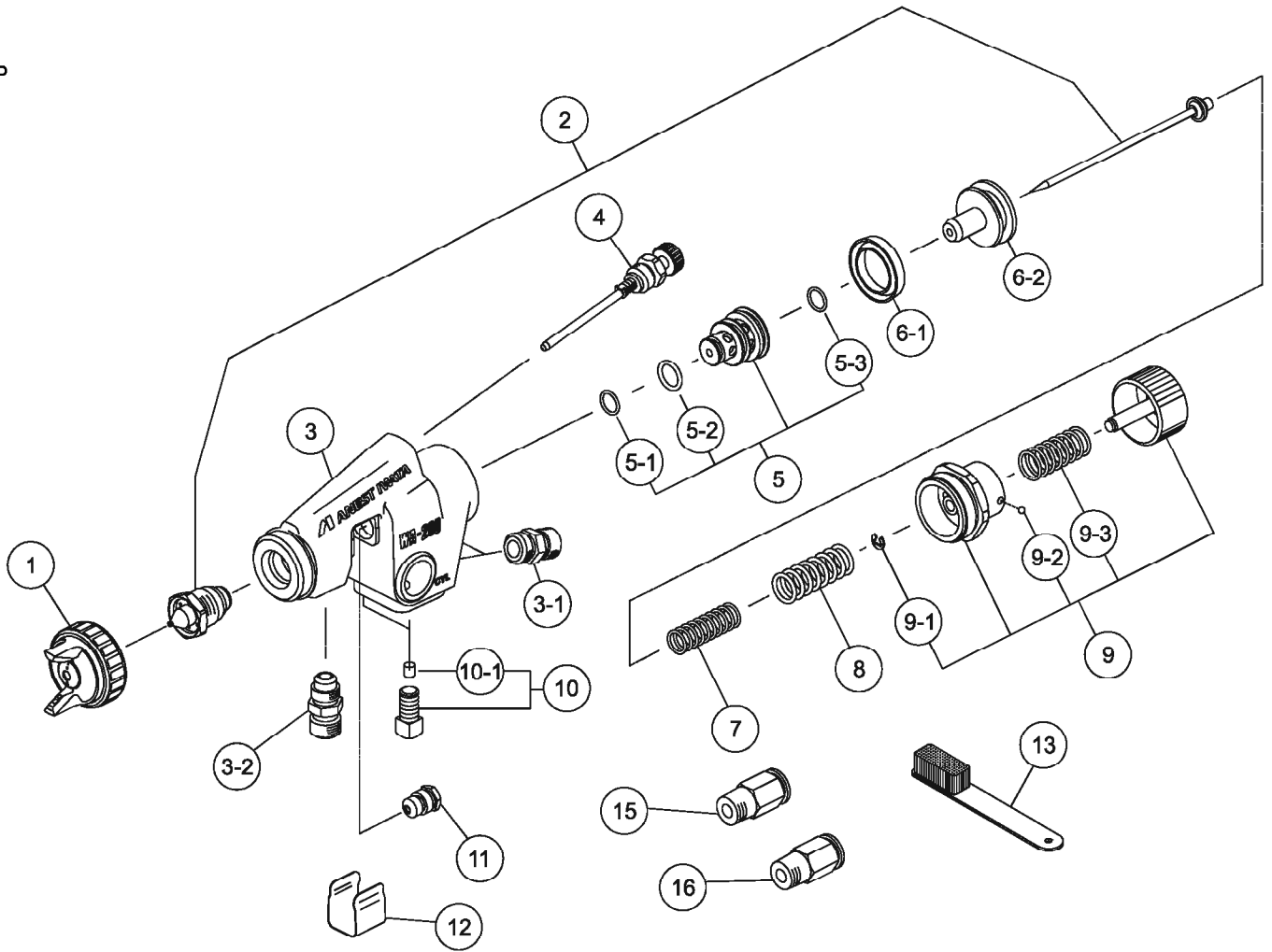


Automatic Spray Guns

WA200 ZP

Ref #	Part #	Description	Qty	Remarks
1	93871611	AIR CAP SET "R1Z"	1	
2	93836620	NOZZLE/NEEDLE SET 2.0	1	
2	93838620	NOZZLE/NEEDLE SET 2.5	1	
3	N/A	GUN BODY	1	
3-1	93502620	AIR NIPPLE	2	1/4"
3-2	93515600	FLUID NIPPLE	1	3/8"
4	93812621	FAN ADJUSTING SET	1	
5	93805620	AIR VALVE SEAT SET	1	
5-1		O RING	1	SUPPLY AS 500
5-2		O RING	1	SUPPLY AS 500
5-3		O RING	1	SUPPLY AS 500
6-1	93903440	PISTON PACKING	1	2PCS/PACK
6-2	93511580	PISTON	1	
7	93514580	NEEDLE SPRING	1	
8	93513580	PISTON SPRING	1	
9	93840581	FLUID ADJUSTING SET	1	
9-1	93912030	STOPPER	1	2PCS/PACK
9-2	93914730	STEEL BALL	1	2PCS/PACK
9-3	93104420	FLUID ADJUST SPRING	1	
10	93811580	BOLT SET	2	
10-1	93810580	BOLT CAP	2	
11	93810620	NEEDLE PACKING SET	1	
12	93522580	COVER	1	
13	96990600	BRUSH (CLEANING)	1	
15	96801162	HALF UNION	1	FOR PISTON (6mm)
16	96801182	HALF UNION	1	FOR ATOMIZATION (8mm)
500	93849620	O RING SET	1	5-1, 5-2, 5-3
	93834580	AIR VALVE SEAT SET TOOL		

WA200 ZP



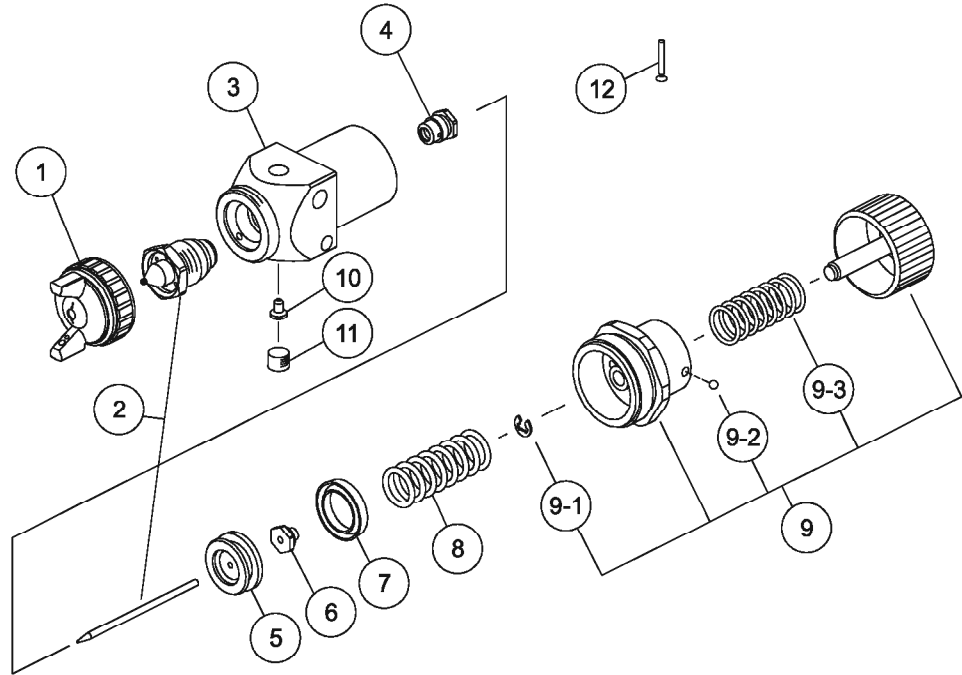


Automatic Spray Guns

WRA100

Ref #	Part #	Description	Qty	Remarks
1	93810611	AIR CAP SET "E2P"	1	
2	93831620	NOZZLE/NEEDLE SET 0.8	1	
3	N/A	GUN BODY	1	
4	93847580	NEEDLE PACKING SET	1	
5	93629570	PISTON	1	
6	93455230	NUT	1	
7	93903440	PISTON PACKING	1	2PCS/PACK
8	94003880	PISTON SPRING	1	
9	93840581	FLUID ADJUST SET	1	
9-1	93912030	STOPPER	1	2PCS/PACK
9-2	93914730	STEEL BALL	1	2PCS/PACK
9-3	93104420	FLUID ADJUST SPRING	1	
10	93526620	PLUG	1	
11	96990440	PLUG	1	
12	96172529	SCREW	1	TO REMOVE #10

WRA100





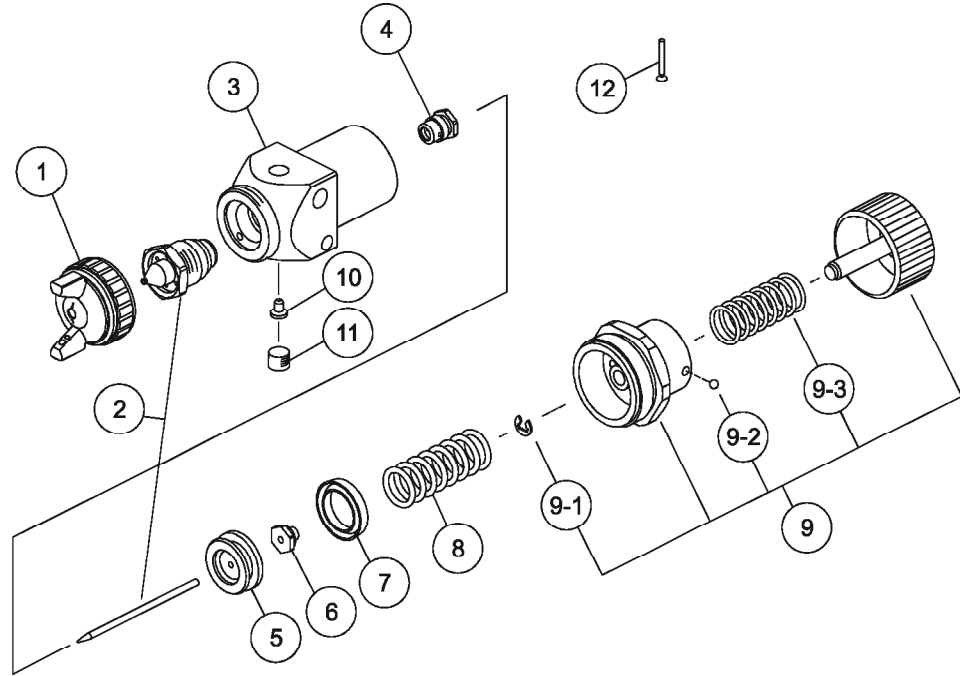


Automatic Spray Guns

WRA200

Ref #	Part #	Description	Qty	Remarks
1	93818611	AIR CAP SET "G2P"	1	
2	93834620	NOZZLE/NEEDLE SET 1.2	1	
3	N/A	GUN BODY	1	
4	93847580	NEEDLE PACKING SET	1	
5	93629570	PISTON	1	
6	93455230	NUT	1	
7	93903440	PISTON PACKING	1	2PCS/PACK
8	94003880	PISTON SPRING	1	
9	93840581	FLUID ADJUST SET	1	
9-1	93912030	STOPPER	1	2PCS/PACK
9-2	93914730	STEEL BALL	1	2PCS/PACK
9-3	93104420	FLUID ADJUST SPRING	1	
10	93526620	PLUG	1	
11	96990440	PLUG	1	
12	96172529	SCREW	1	TO REMOVE #10

WRA200



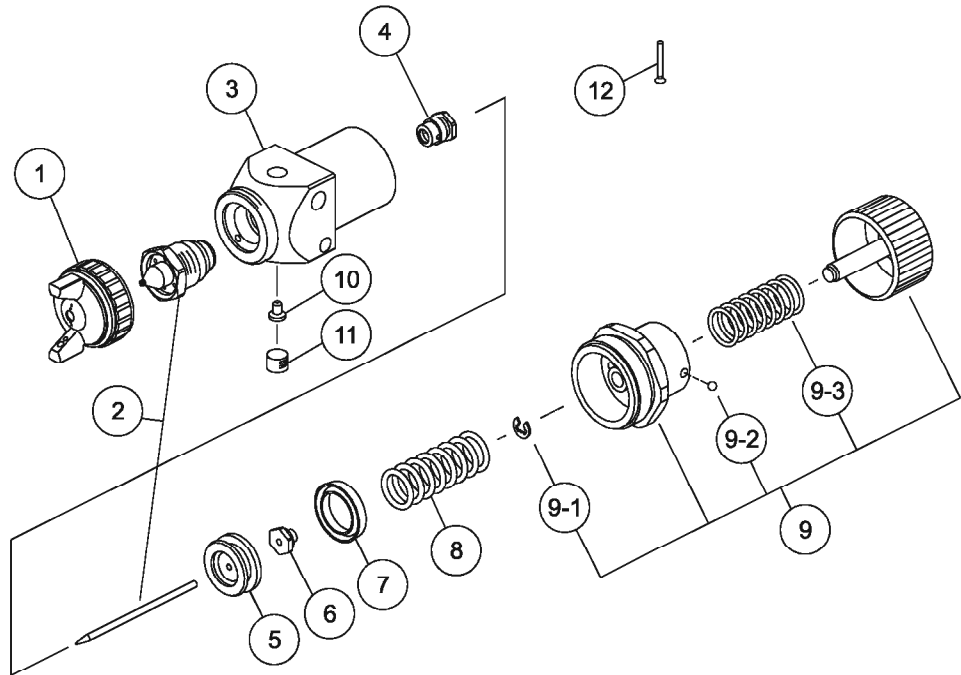


Automatic Spray Guns

LRA200

Ref #	Part #	Description	Qty	Remarks
1	93822601	AIR CAP SET "G2"	1	
2	93835620	NOZZLE/NEEDLE SET 1.2	1	
3	N/A	GUN BODY	1	
4	93847580	NEEDLE PACKING SET	1	
5	93629570	PISTON	1	
6	93455230	NUT	1	
7	93903440	PISTON PACKING	1	2PCS/PACK
8	94003880	PISTON SPRING	1	
9	93840581	FLUID ADJUST SET	1	
9-1	93912030	STOPPER	1	2PCS/PACK
9-2	93914730	STEEL BALL	1	2PCS/PACK
9-3	93104420	FLUID ADJUST SPRING	1	
10	93526620	PLUG	1	
11	96990440	PLUG	1	
12	96172529	SCREW	1	TO REMOVE #10

LRA200



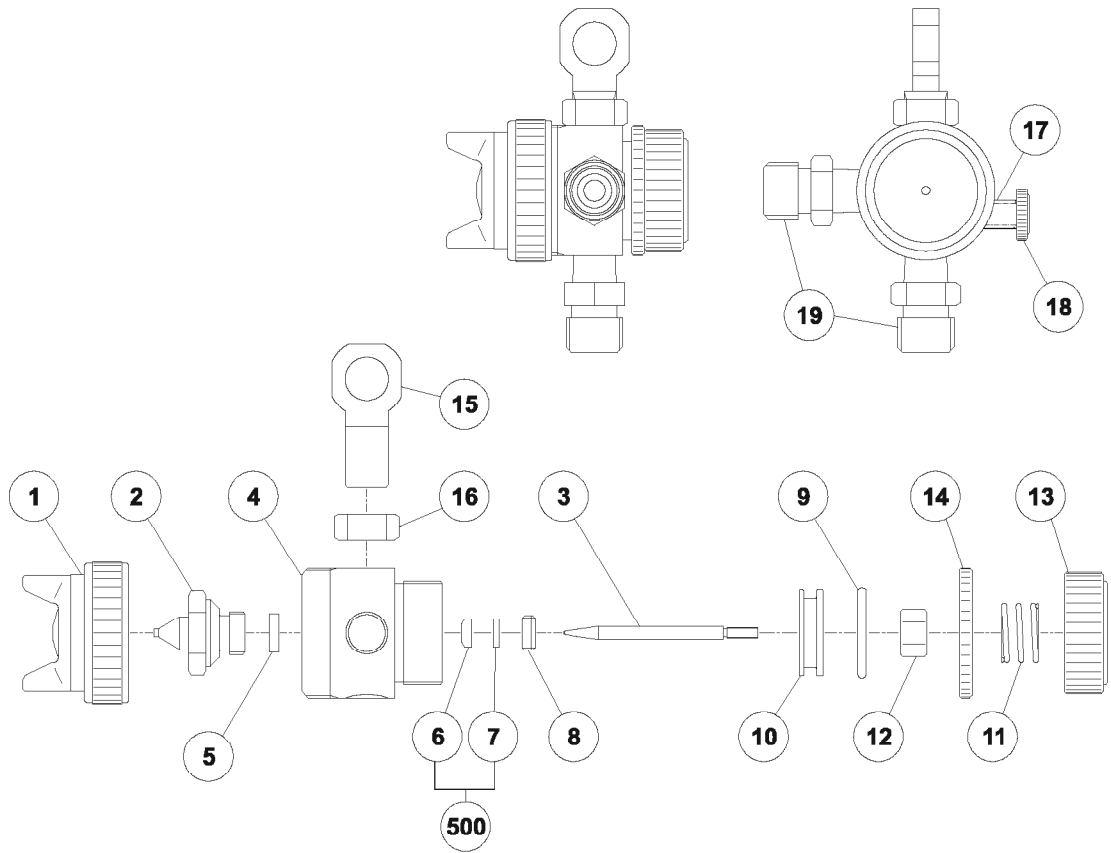


Automatic Spray Guns

SGA100

Ref #	Part #	Description	Qty	Remarks
1	93803611	AIR CAP SET "E1"	1	
2	93044980	FLUID NOZZLE	1	1.0
3	93060980	FLUID NEEDLE	1	
4	N/A	GUN BODY	1	
5	93902980	PACKING "1"	1	2PCS/PACK
6		NEEDLE PACKING	1	SUPPLY AS 500
7		AIR VALVE PACKING	1	SUPPLY AS 500
8	93093160	AIR VALVE PACKING SEAT	1	
9	93903980	O RING	1	2PCS/PACK
10	93220980	PISTON	1	
11	93223980	SPRING	1	
12	93091980	NUT	1	
13	93105980	FLUID ADJUST KNOB	1	
14	93229981	NUT	1	
15	93240981	BOLT	1	
16	93213981	HEX. NUT	1	
17	93248980	VALVE SPRING	1	
18	93120981	FAN ADJUST VALVE	1	
19	94013152	JOINT	2	
500	93900980	FLUID NEEDLE PACKING SET	1	6, 7 2EA/PACK

SGA100



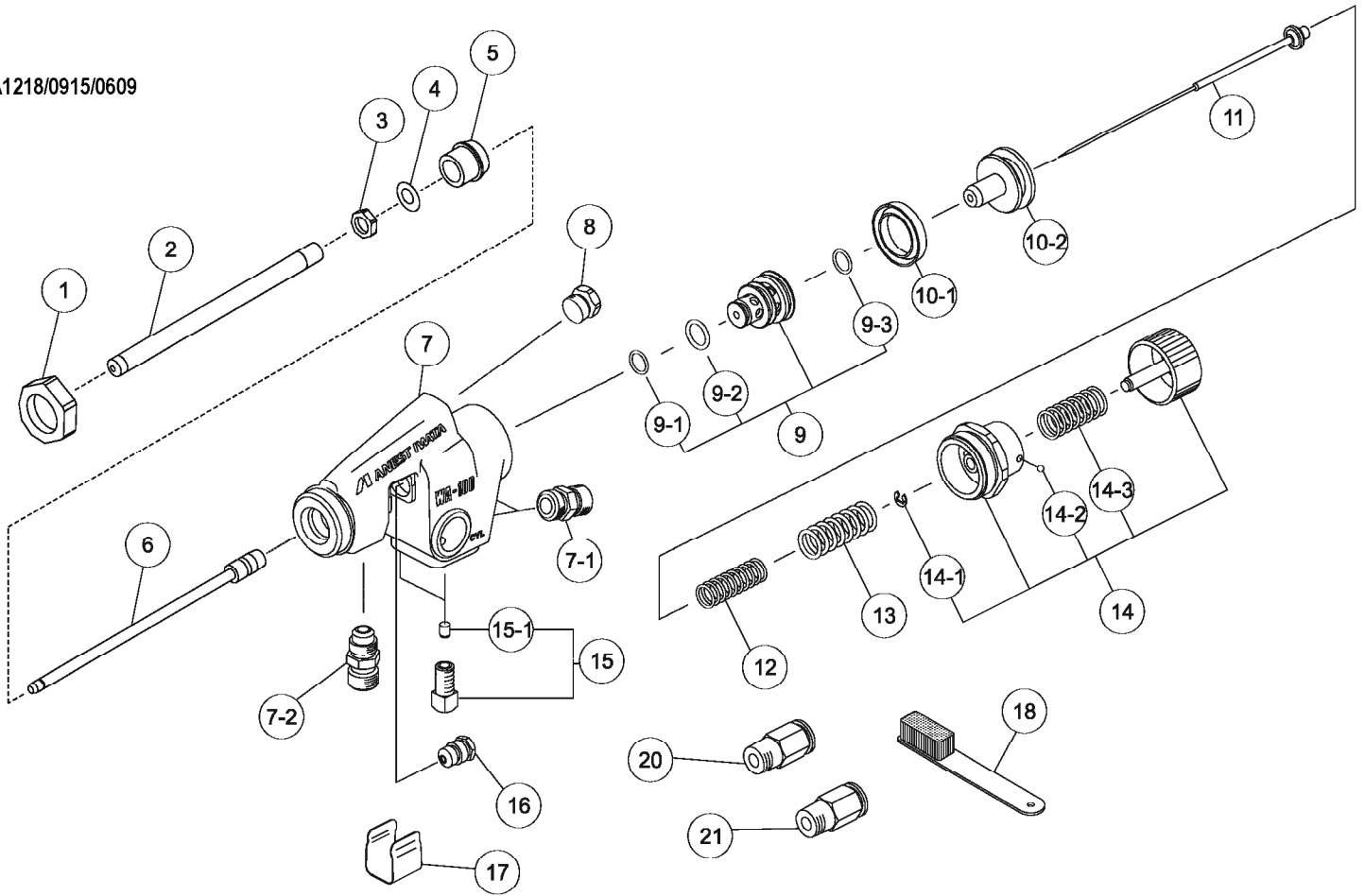


Automatic Spray Guns

WA1218/0915/0609

Ref #	Part #	Description	Qty	Remarks
1	93850620	COVER SET	1	
2	93839620	AIR PIPE SET	1	1218
2	93842620	AIR PIPE SET	1	0915
2	93845620	AIR PIPE SET	1	0609
3	93535620	HEX. NUT	1	1218
3	93543620	HEX. NUT	1	0915
3	93550620	HEX. NUT	1	0609
4	96637612	O RING	1	1218
4	96637609	O RING	1	0915
4	96637696	O RING	1	0609
5	93538620	AIR PIPE SET HOLDER	1	1218
5	93545620	AIR PIPE SET HOLDER	1	0915
5	93552620	AIR PIPE SET HOLDER	1	0609
6	93840620	FLUID PIPE SET	1	1218
6	93843620	FLUID PIPE SET	1	0915
6	93846620	FLUID PIPE SET	1	0609
7	N/A	GUN BODY	1	
7-1	93502620	AIR NIPPLE	2	1/4"
7-2	93584530	FLUID NIPPLE	1	1/4"
8	93625370	BLANK SCREW	1	
9	93805620	AIR VALVE SEAT SET	1	
9-1	-	O RING	1	SUPPLY AS 500
9-2	-	O RING	1	SUPPLY AS 500
9-3	-	O RING	1	SUPPLY AS 500
10-1	93903440	PISTON PACKING	1	2PCS/PACK
10-2	93511580	PISTON	1	
11	93841620	FLUID NEEDLE SET	1	1218
11	93844620	FLUID NEEDLE SET	1	0915
11	93847620	FLUID NEEDLE SET	1	0609
12	93514580	NEEDLE SPRING	1	
13	93513580	PISTON SPRING	1	
14	93840581	FLUID ADJ. SET	1	
14-1	93912030	E STOPPER	1	2PCS/PACK
14-2	93914730	STEEL BALL	1	2PCS/PACK
14-3	93104420	FLUID ADJ. SPRING	1	
15	93811580	BOLT SET	2	
15-1	93810580	BOLT CAP	2	
16	93810620	NEEDLE PACKING SET	1	
17	93522580	COVER	1	
18	96990600	BRUSH	1	
20	96801162	HALF UNION	1	FOR PISTON (6mm)
21	96801182	HALF UNION	1	FOR ATOMIZATION (8mm)
500	93849620	O RING SET	1	9-1, 9-2, 9-3
	93834580	AIR VALVE SEAT SET TOOL		

WA1218/0915/0609







**ANEST IWATA USA, Inc.**  
9920 Windisch Rd.  
West Chester, Ohio 45069  
Toll Free: 1-800-440-0282  
Tel: (513) 755-3100  
Fax: (513) 755-0888  
Email: [info@anestiwata.com](mailto:info@anestiwata.com)

Models and specifications subject to change without notice.

© Copyright 2004, Anest Iwata USA, Inc.  
Part # AIUS103

02/04