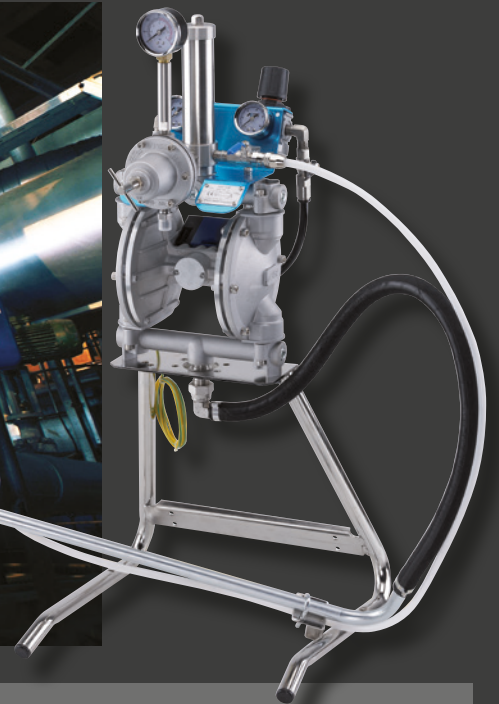




# COATING EQUIPMENT **FOR** INDUSTRIAL APPLICATIONS



**PRICE LIST** 2017

*Pricing, part numbers, images, and availability are subject to change without notice. Pricing is reflective of manufacturer's suggested retail price (MSRP).*

*Catalogs, price lists, and other advertising materials are produced for informational purposes only. No information contained in these documents shall be constituted as a binding offer from the manufacturer or manufacturer's distributor.*

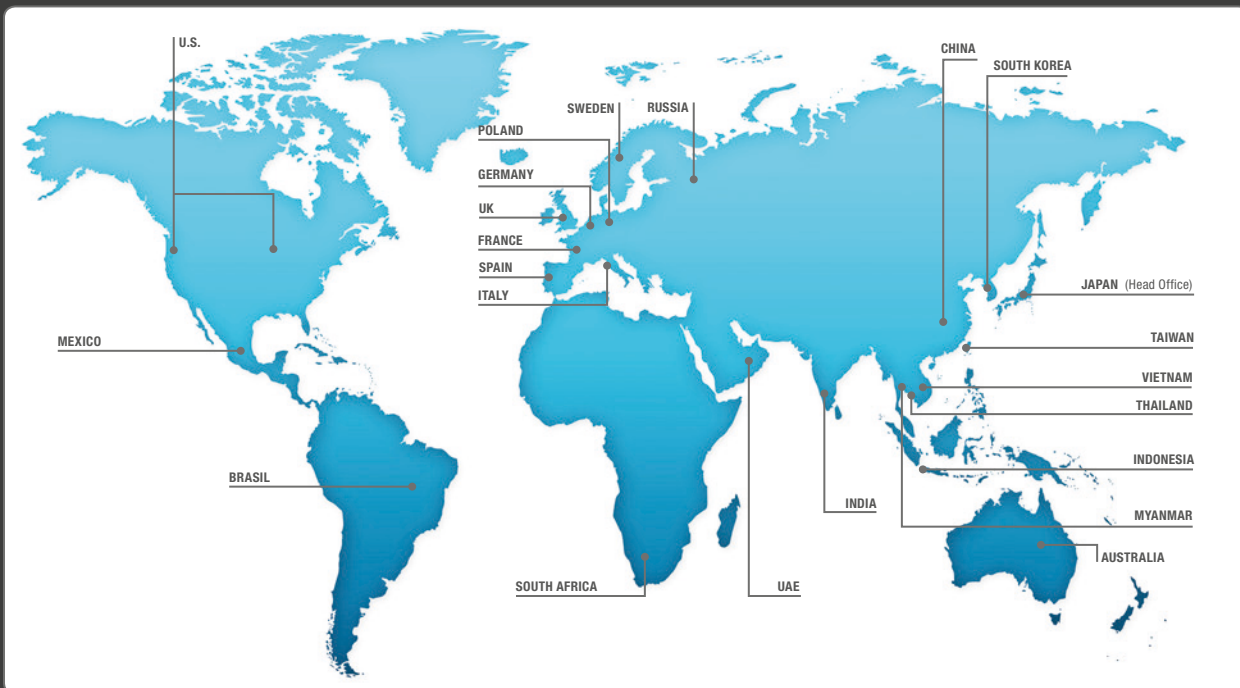
## WHO IS ANEST IWATA?

**ANEST IWATA USA, Inc.** is the North American Spray Equipment Headquarters of **ANEST IWATA CORPORATION** of Yokohama, Japan.

We are the coating experts. From automotive paint to industrial adhesives, **ANEST IWATA'S** patented LV technology and innovative design create the most reliable and consistent finishing in the industry.

Manual and automatic spray guns, robotic systems, pressure pots, fluid delivery systems, mold release applicators, airbrushes, compressors, and vacuum pumps are just a few examples of the high-end finishing solutions we provide. **ANEST IWATA** spray equipment is used around the world for precise coating applications such as automotive refinish, wood, transportation, military, firearms, textiles, electronics, furniture, and much more.

The **ANEST IWATA** group, founded as Iwata Seisakusho in 1926, is a leading global manufacturer in the sector of coating technology, with over 1,300 employees around the world.



## WHAT DOES ANEST IWATA STAND FOR?

The **ANEST IWATA** group is a continually active corporation oriented toward steady development.

Through consistently developing new products and leading innovations in technology, we strive toward constant improvement and perfection.

The **ANEST IWATA** group is innovative, employing the latest application processes in all we do.

**ACTIVE & NEWEST TECHNOLOGY IWATA**



## 1 GENERAL INFORMATION

### HOW TO READ PRICE LIST

- ICONS EXPLAINED ..... 6
- HOW TO READ PRICE LIST CHARTS ..... 6

### CONVERSIONS

- NOZZLE CONVERSIONS ..... 6
- FAN PATTERN CONVERSIONS ..... 6

## 2 MANUAL SPRAY GUNS

### HVLP PRESSURE | SIPHON | GRAVITY

- LS-400 SUPERNOVA ENTECH GRAVITY ..... 8
- LPH-400-LV GRAVITY ..... 10
- LPH-400-LVX GRAVITY ..... 11
- LPH-400-LVB GRAVITY ..... 12
- LPH-200-P | LPH-200-LVP | LPH-2003 PRESSURE ..... 14
- LPH-300-LV GRAVITY ..... 16
- LPH-101-P | LPH-101-LVP | LPH-101-LVS | LPH-101-LVG PRESSURE | SIPHON | GRAVITY ..... 18
- LPH-80 GRAVITY ..... 20
- LPH-50 GRAVITY ..... 22

### NON-HVLP CONVENTIONAL PRESSURE | SIPHON | GRAVITY

- WS-400HD SUPERNOVA EVOTECH GRAVITY ..... 24
- W-400-LV GRAVITY ..... 26
- W-400 GRAVITY ..... 28
- W-200-P | W-200-ZP | W-200-S25 PRESSURE ..... 30
- W-200-S | W-2003 SIPHON ..... 32
- W-200 GRAVITY ..... 34
- W-101-P | W-101-S | W-101-G PRESSURE | SIPHON | GRAVITY ..... 36
- W-77-P | W-77-S | W-77-G PRESSURE | SIPHON | GRAVITY ..... 38
- W-71-P | W-71-S | W-71-G PRESSURE | SIPHON | GRAVITY ..... 40

### SPECIAL PURPOSE

- LW-10B | LW-18B EXTENSION SPRAY GUNS ..... 42
- COG-200 | COG-101 ADHESIVE APPLICATION SPRAY GUN ..... 44
- TOF-50 | TOF-50R COMPACT PRESSURE-FEED SPRAY GUN ..... 46
- RG3L ROUND PATTERN GRAVITY ..... 48

### ACCESSORIES

- CUPS & CONTAINERS FOR MANUAL SPRAY GUNS ..... 50
- HOSES AND FITTINGS FOR PRESSURE APPLICATIONS ..... 54

## 3 ELECTROSTATIC SPRAY GUNS

### EXTERNAL CHARGING SYSTEM

- E-MW50 ..... 58

### INTERNAL CHARGING SYSTEM

- E-M15B ..... 60

## 4 AUTOMATIC SPRAY GUNS

### GENERAL PURPOSE

- WA-200 ..... 64
- WA-101 ..... 64
- LPA-200 ..... 64
- LPA-101 ..... 64



**4 AUTOMATIC SPRAY GUNS (CONTINUED)**

**ROBOT APPLICATION**

- WRA-101 ..... 66
- WRA-200 ..... 66
- LRA-200 ..... 66
- WA-M220 | WA-M220-L without MANIFOLD ..... 68

**SPECIAL PURPOSE**

- WA-1218 | WA-0915 | WA-0609 with EXTENSION NOZZLE ..... 70
- TOF-5B | TOF-5RB | TOF-6B | TOF-6RB ..... 72
- SGA-101 ..... 73
- COG-A200 | COG-R200 ..... 74

**5 LOW PRESSURE FLUID APPLICATIONS**

**DOUBLE DIAPHRAGM PUMP UNITS**

- DPS-120 | DPS-90 ..... 78
- DPS-70C | DPS-70CN ..... 79

**DOUBLE DIAPHRAGM PUMP ACCESSORIES**

- DPS-120 | DPS-90 ACCESSORIES ..... 80
- DPS-70C | DPS-70CN ACCESSORIES ..... 82
- SPARE PARTS AND ACCESSORIES ..... 84
- AIR REGULATOR SET ..... 84
- SUCTION HOSE & DRAIN HOSE SET ..... 85
- PAINT FILTER SET ..... 85
- FCV-31 | FCV-31 N-S1-R4 / -R8 PAINT FLOW CONTROL VALVE ..... 86
- FCV-3 PAINT FLOW CONTROL VALVE ..... 86
- PR-5BL | PR-5BL N PAINT PRESSURE REGULATOR ..... 87
- PR-B5 | PR-B5 BN BACK PRESSURE VALVE FOR PAINT RECIRCULATION ..... 87

**PRESSURE POTS**

- PC-18D (max. 3.5 bar / 50.5 PSI) ..... 88
- PRESSURE TANK PET-10 (max. 4.0 bar / 58 PSI) ..... 89

**6 MEDIUM & HIGH PRESSURE FLUID APPLICATIONS**

**FLOW GUN**

- FG-6 | FG-61 | FG-62 ..... 92

**AIRLESS SPRAY GUN**

- ALG-7 | ALG-72 | ALG-73 ..... 93

**MULTI SPRAY SERIES**

- MSGS-200 120S / 120L / 250S / 250L ..... 94

**AIRLESS UNITS**

- ALS-333 C | ALS-423 TX | ALS-433 C | ALS-433 TX ..... 98

**MULTI SPRAY UNITS**

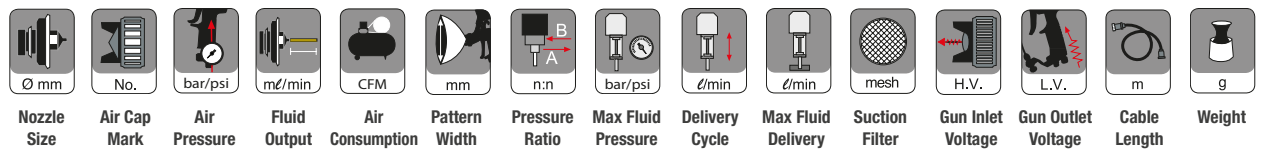
- MSU 11N | MSU 32N ..... 100
- MSU-323 C | MSU-323 CTX | MSU-423 TX | MSU-433 TX ..... 102

**ACCESSORIES - AIRLESS & MULTI SPRAY UNITS**

- PAINT FILTER UNITS ..... 106
- AIR REGULATORS ..... 107
- MEDIUM & HIGH PRESSURE HOSES ..... 109
- DIP TUBE WITH FILTER ..... 109
- WHEEL CART for MSU-113N ..... 109
- DRAIN OPERATING VALVE SET for MSU-113N ..... 109



## ICONS EXPLAINED



## HOW TO READ PRICE LIST CHARTS

1. MODEL NAME
2. DESCRIPTION
3. NOZZLE SIZE
4. CODE
5. PRICE
6. AIR CAP SET
7. NOZZLE & NEEDLE

| ORDER INFORMATION - W-101 PRESSURE |                     |                 |          |          |          |          |
|------------------------------------|---------------------|-----------------|----------|----------|----------|----------|
| 1                                  | W-101               | Ø 0.8           | Ø 1.0    | 3 Ø 1.3  | Ø 1.5    | \$       |
| 2                                  | PRESSURE SPRAY GUN  | 4400B           | 4403B    | 4 4405B  | 4407B    | 5 294.00 |
| 7                                  | NOZZLE + NEEDLE SET | 93706610        | 93691610 | 93666610 | 93698610 | 86.00    |
| 6                                  | AIR CAP SET         | E2P<br>93704610 |          |          |          | 93.00    |

## NOZZLE CONVERSIONS

| MM  | INCH  | MM  | INCH  | MM  | INCH  |
|-----|-------|-----|-------|-----|-------|
| 0.4 | 0.016 | 1.3 | 0.051 | 1.9 | 0.075 |
| 0.6 | 0.024 | 1.4 | 0.055 | 2.0 | 0.079 |
| 0.8 | 0.031 | 1.5 | 0.059 | 2.5 | 0.098 |
| 1.0 | 0.039 | 1.6 | 0.063 | 3.0 | 0.12  |
| 1.1 | 0.043 | 1.7 | 0.067 | 3.5 | 0.14  |
| 1.2 | 0.047 | 1.8 | 0.071 |     |       |

## FAN PATTERN CONVERSIONS

| MM  | INCH   | MM  | INCH   | MM  | INCH   |
|-----|--------|-----|--------|-----|--------|
| 0   | 0      | 210 | 8.2677 | 420 | 16.535 |
| 10  | 0.3937 | 220 | 8.6614 | 430 | 16.929 |
| 20  | 0.7874 | 230 | 9.0551 | 440 | 17.323 |
| 30  | 1.1811 | 240 | 9.4488 | 450 | 17.717 |
| 40  | 1.5748 | 250 | 9.8425 | 460 | 18.11  |
| 50  | 1.9685 | 260 | 10.236 | 470 | 18.504 |
| 60  | 2.3622 | 270 | 10.63  | 480 | 18.898 |
| 70  | 2.7559 | 280 | 11.024 | 490 | 19.291 |
| 80  | 3.1496 | 290 | 11.417 | 500 | 19.685 |
| 90  | 3.5433 | 300 | 11.811 | 510 | 20.079 |
| 100 | 3.937  | 310 | 12.205 | 520 | 20.472 |
| 110 | 4.3307 | 320 | 12.598 | 530 | 20.866 |
| 120 | 4.7244 | 330 | 12.992 | 540 | 21.26  |
| 130 | 5.1181 | 340 | 13.386 | 550 | 21.654 |
| 140 | 5.5118 | 350 | 13.78  | 560 | 22.047 |
| 150 | 5.9055 | 350 | 14.173 | 570 | 22.441 |
| 160 | 6.2992 | 370 | 14.567 | 580 | 22.835 |
| 170 | 6.6929 | 380 | 14.961 | 590 | 23.228 |
| 180 | 7.0866 | 390 | 15.354 | 600 | 23.622 |
| 190 | 7.4803 | 400 | 15.748 | 610 | 24.016 |
| 200 | 7.874  | 410 | 16.142 | 620 | 24.409 |



# MANUAL SPRAY GUNS



**HVLP Pressure | Siphon | Gravity**



## LS-400 SUPERNOVA ENTECH



### FEATURES

- Patented LV Technology with split nozzle for increased material savings
- HVLP Technology - with low operating air pressure
- Excellent for solvent or waterborne base coat and clear coat application
- Large fan pattern
- Superior transfer efficiency
- Quality surface for easy cleaning
- Compatible with the 3M PPS cup system (adapter #43)

| TECHNICAL | Ø mm | No. | bar/psi | ml/min | CFM | mm |
|-----------|------|-----|---------|--------|-----|----|
|-----------|------|-----|---------|--------|-----|----|

| LS-400      |     |    |        |     |       |     |
|-------------|-----|----|--------|-----|-------|-----|
| LS-400-1205 | 1.2 | 05 | 1.8/26 | 150 | 14.83 | 305 |
| LS-400-1305 | 1.3 |    |        | 160 |       | 310 |
| LS-400-1405 | 1.4 |    |        | 180 |       | 320 |
| LS-400-1505 | 1.5 |    |        | 190 |       |     |

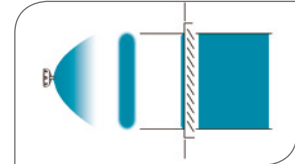
• Air Nipple: G1/4" • Fluid Nipple: G1/4"



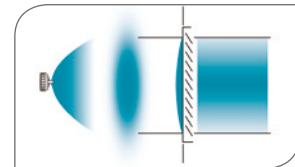
See page 50  
for cup options  
(sold separately)



LV Technology Split Nozzle



Round Nozzle

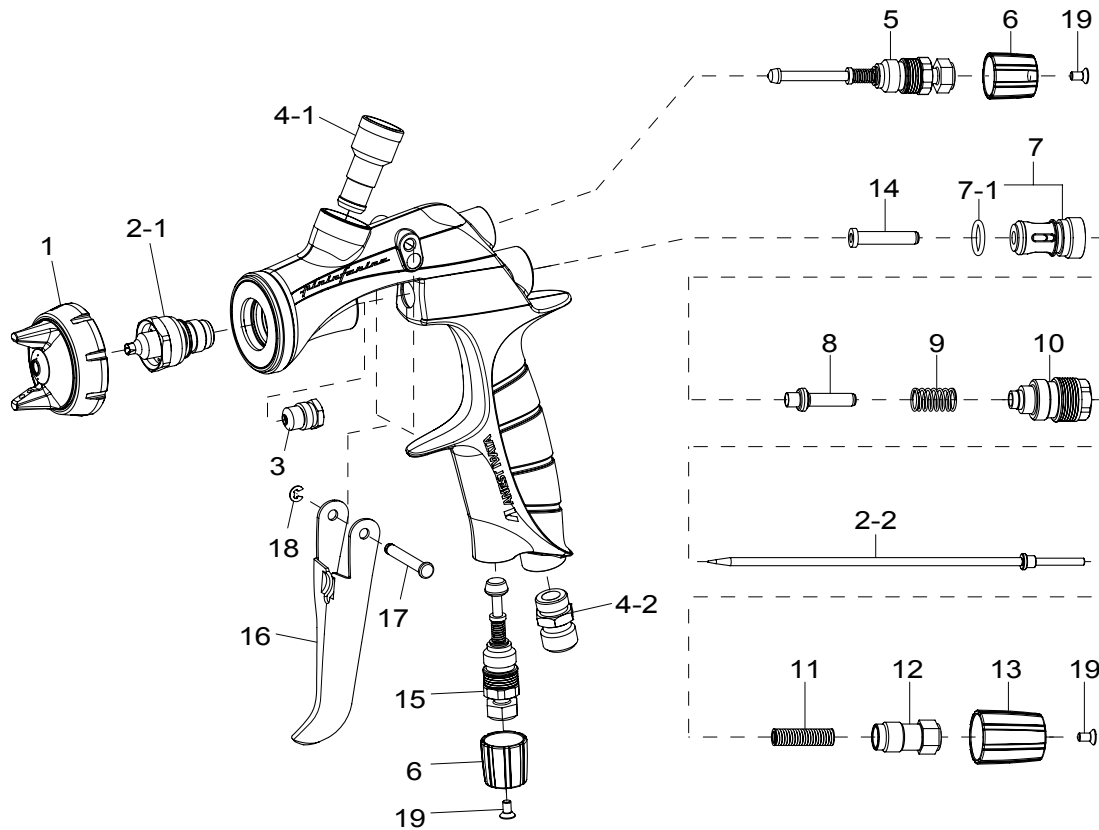


### ORDER Information - LS-400 ENTECH

|                                       | ø 1.2                 | ø 1.3    | ø 1.4    | ø 1.5    | \$     |
|---------------------------------------|-----------------------|----------|----------|----------|--------|
| GRAVITY SPRAY GUN LS-400              | 5930                  | 5935     | 5940     | 5945     | 798.00 |
| GRAVITY SPRAY GUN + PCG600P2 - 200 ml | 5931                  | 5936     | 5941     | 5946     | 869.00 |
| GRAVITY SPRAY GUN + PCG7D2 - 700 ml   | 5932                  | 5937     | 5942     | 5947     | 874.00 |
| GRAVITY SPRAY GUN + PCG10D2 - 1000 ml | 5933                  | 5938     | 5943     | 5948     | 874.00 |
| NOZZLE + NEEDLE SET                   | 93512760              | 93512780 | 93513120 | 93513140 | 203.00 |
| AIR CAP SET                           | LS-400-05<br>93512100 |          |          |          | 196.00 |







### SPARE PARTS

| Ref.    | Code     | Description            | Qty.  | \$     |
|---------|----------|------------------------|-------|--------|
| 1       | 93512100 | AIR CAP SET 05         |       | 196.00 |
| 2.1+2.2 |          | NOZZLE + NEEDLE SET    |       | 203.00 |
| 3       | 93765610 | CARTRIDGE PACKING      |       | 36.00  |
| 4-1     | 93505421 | FLUID NIPPLE           | 1/4"  | 67.00  |
| 4-2     | 93660300 | AIR NIPPLE             | 1/4"  | 8.00   |
| 5       | 93505432 | PATTERN ADJUST SET     |       | 38.00  |
| 6       | 93512290 | ADJUST KNOB            | GREEN | 15.00  |
| 7       | 93843530 | AIR VALVE SEAT SET     |       | 20.00  |
| 7-1     | 96638008 | O RING                 |       | 4.00   |
| 8       | 93505480 | AIR VALVE              |       | 18.00  |
| 9       | 93719530 | AIR VALVE SPRING       |       | 8.00   |
| 10      | 93505492 | FLUID ADJUST GUIDE SET |       | 31.00  |
| 11      | 93593530 | FLUID NEEDLE SPRING    |       | 8.00   |
| 12      | 93505822 | FLUID ADJ. SCREW SET   |       | 16.00  |
| 13      | 93512730 | FLUID ADJUST KNOB      | GREEN | 15.00  |
| 14      | 93935430 | AIR VALVE SHAFT        |       | 11.00  |
| 15      | 93505842 | AIR ADJUST SET         |       | 33.00  |
| 16      | 93505850 | TRIGGER                |       | 18.00  |
| 17      | 93505860 | TRIGGER STUD           |       | 7.00   |
| 18      | 96612025 | E STOPPER              |       | 5.00   |
| 19      | 93506970 | STAR FLAT HEAD BOLT    |       | 6.00   |
| 18      | 93936880 | FLUID ADJ. GUIDE SET   |       | 30.00  |
| 19      | 93015880 | FLUID NEEDLE SPRING    |       | 8.00   |

### ACCESSORIES

| Ref. | Code     | Description   | \$     |
|------|----------|---|--------|
|      | 93505341 | AIR CAP GASKET (BLACK)                                  | 8.00   |
|      | 93505330 | AIR CAP GASKET (WHITE)                                  | 6.00   |
|      | 2978     | TEST CAP GUAGE SET 05                                   | 295.00 |
|      | 5652     | REPAIR SERVICE KIT<br>(Includes: 3, 7, 9, 11, 17, & 18) | 90.00  |



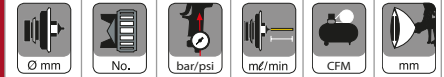
## LPH-400-LV



### FEATURES

- Patented LV Technology with split nozzle for increased material savings
- Ideal for general purpose use
- HVLP with low operating air pressure
- Quality surface for easy cleaning
- Minimal wear parts for easy maintenance
- Compatible with the 3M PPS cup system (Adapter #2)

### TECHNICAL

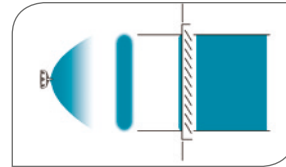


| LPH-400-LV    |     |               |        |     |     |     |
|---------------|-----|---------------|--------|-----|-----|-----|
| LPH-400-124LV | 1.2 | LV4<br>Silver | 1.1/16 | 90  | 9.5 | 259 |
| LPH-400-134LV | 1.3 |               |        | 110 |     | 279 |
| LPH-400-144LV | 1.4 |               |        | 130 |     | 290 |
| LPH-400-154LV | 1.5 |               |        | 140 |     | 295 |
| LPH-400-164LV | 1.6 |               |        | 150 |     | 300 |
| LPH4-00-184LV | 1.8 |               |        | 190 |     | 320 |

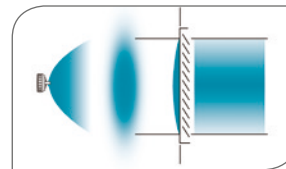
Air Nipple: G1/4" • Fluid Nipple: M16 x 1.5mm



LV Technology Split Nozzle



Round Nozzle



See page 50  
for cup options  
(sold separately)

### ORDER Information - LPH-400-LV

|                                      | Ø 1.2    | Ø 1.3    | Ø 1.4    | Ø 1.5    | Ø 1.6    | Ø 1.8    | \$     |
|--------------------------------------|----------|----------|----------|----------|----------|----------|--------|
| GRAVITY SPRAY GUN LPH-400LV          | 5540     | 5640     | 5550     | 5535     | 5560     | 5570     | 562.00 |
| GRAVITY SPAY GUN + PCG6PM - 600ML    | 5541     | 5641     | 5551     | 5536     | 5561     | 5571     | 620.00 |
| GRAVITY SPRAY GUN + PCG7EM - 700ML   | 5542     | 5642     | 5552     | 5537     | 5562     | 5572     | 625.00 |
| GRAVITY SPRAY GUN + PCG10EM - 1000ML | 5543     | 5643     | 5553     | 5538     | 5563     | 5573     | 625.00 |
| NOZZLE + NEEDLE SET                  | 93880600 | 93897600 | 93873600 | 93516650 | 93882600 | 93884600 | 164.00 |
| AIR CAP SET (SILVER)                 | 93874601 |          |          |          |          |          | 159.00 |

Spray Gun Spare Parts - P. 13

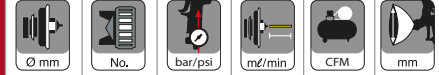




### FEATURES

- All of the features of the LPH-400-LV with a specially designed orange cap for spraying metallics, stains, and dyes.

### TECHNICAL

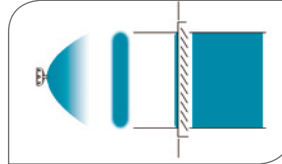


| LPH-400-LVX    |     |               |        |     |     |     |
|----------------|-----|---------------|--------|-----|-----|-----|
| LPH-400-134LVX | 1.3 | LVX<br>Orange | 1.1/16 | 120 | 300 |     |
| LPH-400-144LVX | 1.4 |               |        | 130 | 9.8 | 310 |
| LPH4-00-154LVX | 1.5 |               |        | 145 |     | 330 |

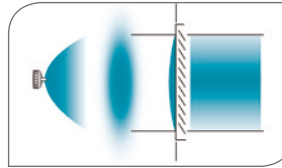
Air Nipple: G1/4" • Fluid Nipple: M16 x 1.5mm



LV Technology Split Nozzle



Round Nozzle



See page 50  
for cup options  
(sold separately)

### ORDER Information - LPH-400-LVX

|                                      | ø 1.3    | ø 1.4    | ø 1.5    | \$     |
|--------------------------------------|----------|----------|----------|--------|
| GRAVITY SPRAY GUN LPH-400-LVX        | 5660     | 5670     | 5680     | 562.00 |
| GRAVITY SPRAY GUN + PCG6PM - 600ML   | 5661     | 5671     | 5681     | 620.00 |
| GRAVITY SPRAY GUN + PCG7EM - 700ML   | 5662     | 5672     | 5682     | 625.00 |
| GRAVITY SPRAY GUN + PCG10EM - 1000ML | 5663     | 5673     | 5683     | 625.00 |
| NOZZLE + NEEDLE SET                  | 93897600 | 93873600 | 93516650 | 164.00 |
| AIR CAP SET (ORANGE)                 | 93548700 |          |          | 159.00 |

Spray Gun Spare Parts - P. 13



## LPH-400-LVB



**FEATURES**

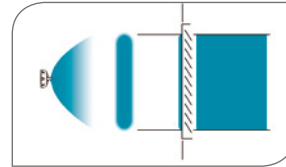
- All of the features of the LPH-400-LV with a specially designed purple air cap to spray the most difficult metallics

| TECHNICAL      | Ø mm               | No.           | bar/psi     | ml/min | CFM | mm  |
|----------------|--------------------|---------------|-------------|--------|-----|-----|
|                | <b>LPH-400-LVB</b> |               |             |        |     |     |
| LPH-400-134LVB | 1.3                | LVB<br>Purple | 0.97/<br>14 | 95     | 8.3 | 320 |
| LPH-400-144LVB | 1.4                |               |             | 110    |     | 325 |
| LPH-400-154LVB | 1.5                |               |             | 125    |     | 335 |

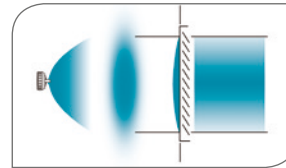
Air Nipple: G1/4" • Fluid Nipple: M16 x 1.5mm



LV Technology Split Nozzle



Round Nozzle

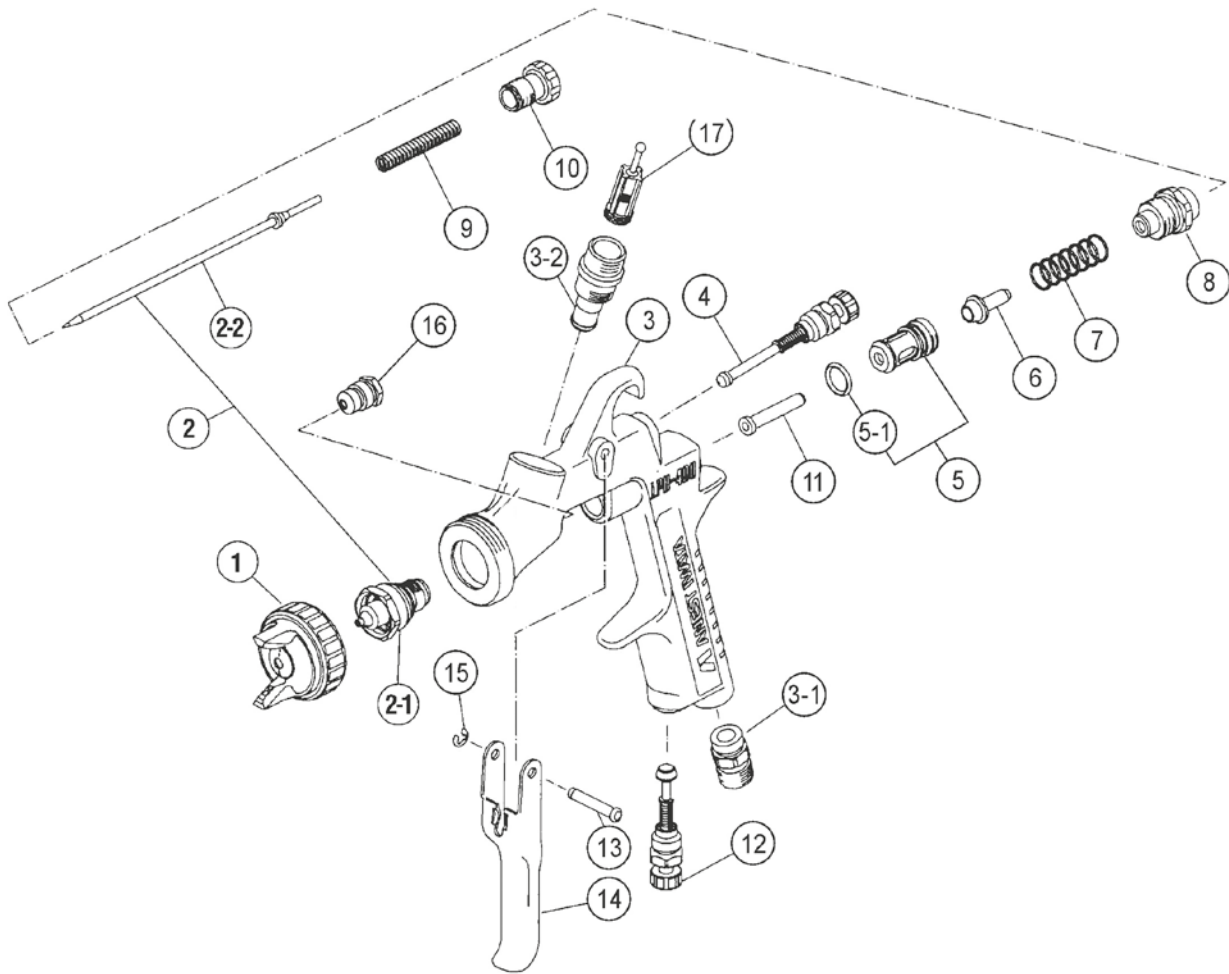


See page 50  
for cup options  
(sold separately)

| ORDER Information - LPH-400-LVB      |          |          |          |        |
|--------------------------------------|----------|----------|----------|--------|
|                                      | Ø 1.3    | Ø 1.4    | Ø 1.5    | \$     |
| GRAVITY SPRAY GUN LPH-400-LVB        | 5700     | 5705     | 5710     | 562.00 |
| GRAVITY SPRAY GUN + PCG6PM - 600ML   | 5701     | 5706     | 5711     | 620.00 |
| GRAVITY SPRAY GUN + PCG7EM - 700ML   | 5702     | 5707     | 5712     | 625.00 |
| GRAVITY SPRAY GUN + PCG10EM - 1000ML | 5703     | 5708     | 5713     | 625.00 |
| NOZZLE + NEEDLE SET                  | 93897600 | 93873600 | 93516650 | 164.00 |
| AIR CAP SET (PURPLE)                 | 93524650 |          |          | 159.00 |

Spray Gun Spare Parts - P. 13





### SPARE PARTS

| Ref. | Code     | Description            |               | \$       |
|------|----------|------------------------|---------------|----------|
| 1    |          | AIR CAP SET            |               | P. 12-14 |
| 2    |          | NOZZLE + NEEDLE SET    |               | P. 12-14 |
| 3-1  | 93660300 | AIR NIPPLE             | 1/4"          | 8.00     |
| 3-2  | 93650531 | FLUID NIPPLE           | M16X1.5       | 58.00    |
| 4    | 93842601 | PATTERN ADJ. SET       |               | 32.00    |
| 5    | 93843530 | AIR VALVE SEAT SET     |               | 20.00    |
| 5-1  | 96638008 | O RING                 |               | 4.00     |
| 6    | 93591530 | AIR VALVE              |               | 14.00    |
| 7    | 93719530 | AIR VALVE SPRING       |               | 8.00     |
| 8    | 93844532 | FLUID ADJUST GUIDE SET |               | 28.00    |
| 9    | 93593530 | FLUID NEEDLE SPRING    |               | 8.00     |
| 10   | 93594532 | FLUID ADJUST KNOB      |               | 11.00    |
| 11   | 93935430 | AIR VALVE SHAFT        |               | 11.00    |
| 12   | 93845531 | AIR ADJUST SET         |               | 28.00    |
| 13   | 93667360 | TRIGGER STUD           |               | 5.00     |
| 14   | 93517600 | TRIGGER                |               | 14.00    |
| 15   | 93912030 | STOPPER                | (2 PCS./1PK.) | 4.00     |
| 16   | 93765610 | CARTRIDGE PACKING      |               | 36.00    |
| 17   | 93515500 | FILTER                 | 60 MESH       | 8.00     |

### ACCESSORIES

| Ref. | Code     | Description   | \$     |
|------|----------|---|--------|
|      | 93708240 | AIR CAP PACKING (WHITE)                                 | 5.00   |
|      | 93512600 | AIR CAP PACKING (BLACK)                                 | 4.00   |
|      | 2950     | MK5 MAINTENANCE KIT                                     | 70.00  |
|      | 5650     | REPAIR SERVICE KIT<br>(includes: 5-1, 7, 9, 13, 15, 16) | 58.00  |
|      | 2995     | TEST CAP GAUGE SET "LPH100-LV4"                         | 225.00 |
|      | 2996     | TEST CAP GAUGE SET "LPH100-LVB"                         | 225.00 |
|      | 2998     | TEST CAP GAUGE SET "LPH100-LV4X"                        | 225.00 |

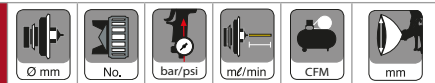




### FEATURES

- Heavy-duty lightweight pressure feed HVLP spray gun is supplied with a standard spray set-up for industrial applications and higher viscosity materials
- Utilizing LV Technology and tulip inspired spray pattern, allowing for superior atomization with minimal overspray
- Contact Anest Iwata for additional nozzle sizes and/or materials
- LPH-200-LVP is Ideal for fine finishing, base, single stage, and clear
- LPH-200-P is ideal for primer and DTM coatings

### TECHNICAL

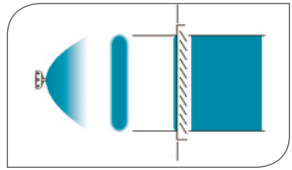


| LPH-200-P      |      |     |         |        |      |      |     |
|----------------|------|-----|---------|--------|------|------|-----|
| Model          | Ø mm | No. | bar/psi | ml/min | CFM  | mm   |     |
| LPH-200-102P   | 1.0  | G2  | 1.9/28  | 500    | 17.7 | 17.7 | 250 |
| LPH-200-122P   | 1.2  |     |         |        |      |      | 300 |
| LPH-200-142P   | 1.4  |     |         |        |      |      | 300 |
| LPH-200-162P   | 1.6  |     |         |        |      |      | 320 |
| LPH-200-182P   | 1.8  |     |         |        |      |      | 300 |
| LPH-200-202P   | 2.0  |     |         |        |      |      | 300 |
| LPH200-LVP     |      |     |         |        |      |      |     |
| Model          | Ø mm | No. | bar/psi | ml/min | CFM  | mm   |     |
| LPH-200-086LVP | 0.8  | LV6 | 2.4/35  | 300    | 14.6 | 14.6 | 450 |
| LPH-200-106LVP | 1.0  |     |         |        |      |      | 250 |
| LPH-200-126LVP | 1.2  |     |         |        |      |      | 300 |
| LPH-200-136LVP | 1.3  |     |         |        |      |      | 300 |
| LPH-200-146LVP | 1.4  |     |         |        |      |      | 300 |
| LPH-200-156LVP | 1.5  |     |         |        |      |      | 300 |
| LPH-2003       |      |     |         |        |      |      |     |
| Model          | Ø mm | No. | bar/psi | ml/min | CFM  | mm   |     |
| LPH-2003-102P  | 1.0  | G2  | 2.0/28  | N/A    | 17.7 | 17.7 | 272 |
| LPH-2003-122P  | 1.2  |     |         |        |      |      | 300 |
| LPH-2003-142P  | 1.4  |     |         |        |      |      | 318 |

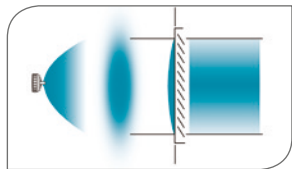
Air Nipple: G1/4" • Fluid Nipple: G3/8" LPH-2003: M16X1



LV Technology Split Nozzle



Round Nozzle



### ORDER Information - LPH-200-P Pressure

|                              | Ø 1.0    | Ø 1.2    | Ø 1.4    | Ø 1.6           | Ø 1.8           | Ø 2.0           | \$     |
|------------------------------|----------|----------|----------|-----------------|-----------------|-----------------|--------|
| PRESSURE SPRAY GUN LPH-200-P | 5403     | 5400     | 5405     | 5418            | 5421            | 5422            | 494.00 |
| NOZZLE + NEEDLE SET          | 93859600 | 93858600 | 93860600 | 9LPH-200-162P10 | 9LPH-200-182P10 | 9LPH-200-X1-100 | 141.00 |
| AIR CAP SET                  | 93822601 |          |          |                 |                 |                 | 152.00 |

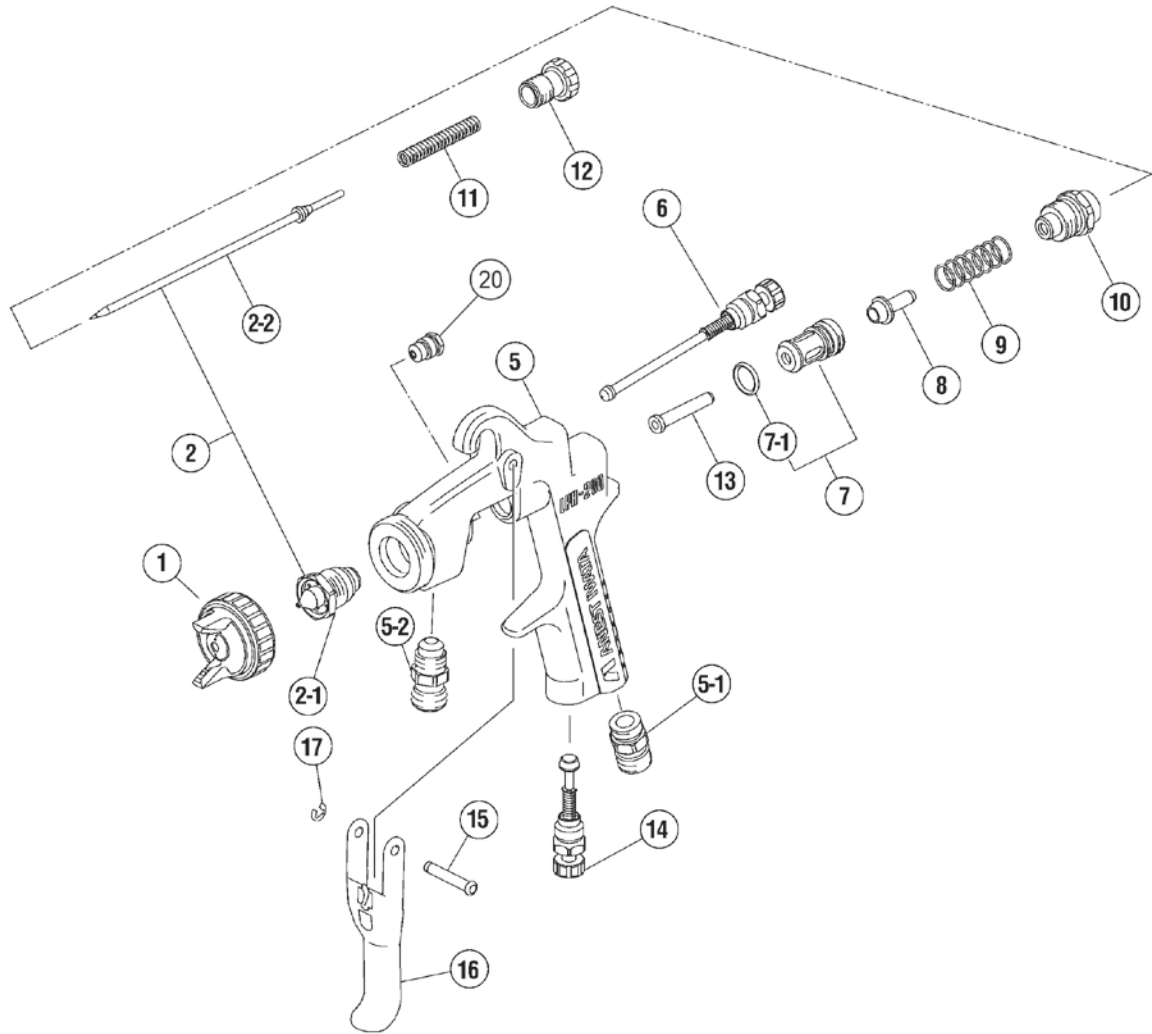
### ORDER Information - LPH-200-LVP Pressure

|                                | Ø 0.8    | Ø 1.0    | Ø 1.2    | Ø 1.3            | Ø 1.4           | Ø 1.5            | \$     |
|--------------------------------|----------|----------|----------|------------------|-----------------|------------------|--------|
| PRESSURE SPRAY GUN LPH-200-LVP | 5406     | 5407     | 5408     | 5419             | 5409            | 5413             | 584.00 |
| NOZZLE + NEEDLE SET            | 93593600 | 93594600 | 93595600 | 9LPH200136L-VP-1 | 9LPH200-14LV-10 | 9LPH200156L-VP-1 | 222.00 |
| AIR CAP SET                    | 93587601 |          |          |                  |                 |                  | 184.00 |

### ORDER Information - LPH-2003 Pressure

|                               | Ø 1.0    | Ø 1.2    | Ø 1.4    | \$     |
|-------------------------------|----------|----------|----------|--------|
| PRESSURE SPRAY GUN LPH-2003   | 5411     | 5410     | 5412     | 491.00 |
| PRESSURIZED SPRAY GUN + PC19B | 5416     | 5415     | 5417     | 623.00 |
| NOZZLE + NEEDLE SET           | 93859600 | 93858600 | 93860600 | 141.00 |
| AIR CAP SET                   | 93822601 |          |          | 152.00 |





### SPARE PARTS

| Ref. | Code     | Description            | Qty.           | \$    |
|------|----------|------------------------|----------------|-------|
| 1    |          | AIR CAP SET            |                | P. 14 |
| 2    |          | NOZZLE/NEEDLE SET      |                | P. 14 |
| 5-1  | 93660300 | AIR INLET              | 1/4"           | 8.00  |
| 5-2  | 93515600 | FLUID NIPPLE           | 3/8"           | 17.00 |
| 5-2  | 93161710 | FLUID NIPPLE           | M16X1          | 35.00 |
| 6    | 93840601 | PATTERN ADJUST SET     | LPH-200-P      | 32.00 |
| 6    | 93898600 | PATTERN ADJUST SET     | LPH-200-LVP    | 32.00 |
| 7    | 93843530 | AIR VALVE SEAT SET     |                | 20.00 |
| 7-1  | 96638008 | O RING                 |                | 4.00  |
| 8    | 93591530 | AIR VALVE              |                | 14.00 |
| 9    | 93719530 | AIR VALVE SPRING       |                | 8.00  |
| 10   | 93844532 | FLUID ADJUST GUIDE SET |                | 28.00 |
| 11   | 93593530 | FLUID NEEDLE SPRING    |                | 8.00  |
| 12   | 93594532 | FLUID ADJUST KNOB      |                | 11.00 |
| 13   | 93935430 | AIR VALVE SHAFT        |                | 11.00 |
| 14   | 93845531 | AIR ADJUST SET         |                | 28.00 |
| 15   | 93667360 | TRIGGER STUD           |                | 5.00  |
| 16   | 93517600 | TRIGGER                |                | 14.00 |
| 17   | 93912030 | STOPPER                | 2 Pcs. / 1 pk. | 4.00  |
| 20   | 93765610 | CARTRIDGE PACKING      |                | 36.00 |

### ACCESSORIES

| Ref. | Code     | Description   | \$     |
|------|----------|---|--------|
|      | 93512600 | L GASKET (BLACK)  | 6.00   |
|      | 93708240 | AIR CAP GASKET (WHITE)                                  | 5.00   |
|      | 93910710 | GASKET (LPH-2003)                                       | 14.00  |
|      | 5650     | REPAIR SERVICE KIT<br>(Includes: 4, 7-1, 9, 11, 15, 17) | 58.00  |
|      | 2950     | MK5 MAINTENANCE KIT                                     | 70.00  |
|      | 93538600 | GUN WRENCH  | 17.00  |
|      | 2991     | TEST CAP GAUGE SET G2                                   | 225.00 |
|      | 2992     | TEST CAP GAUGE SET LV6                                  | 239.00 |



## LPH-300-LV

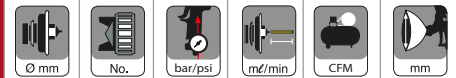
LPH-300-LV with  
PCG7D2 Cup



### FEATURES

- Patented LV Technology with split nozzle for increased material savings
- Rounded pattern produces low overspray
- Extremely low air supply pressure, only 14.5 PSI
- Very low air consumption
- Pleasant lightweight handling
- Finer atomization is suitable for wet on wet topcoat (1.4/1.6 mm)
- Simple operation of the control knobs for both right and left handers
- Conical seal nozzle, minimum wear parts
- Quality surface for an easy cleaning
- Easy maintenance

### TECHNICAL

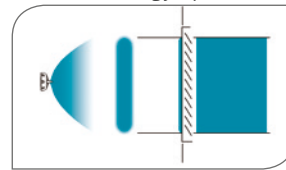


| LPH-300-LV    |     |     |        |     |     |     |
|---------------|-----|-----|--------|-----|-----|-----|
| LPH-300-124LV | 1.2 | LV4 | 1.3/18 | 70  | 8.5 | 210 |
| LPH-300-134LV | 1.3 |     |        | 80  |     | 230 |
| LPH-300-144LV | 1.4 |     |        | 90  |     | 250 |
| LPH-300-164LV | 1.6 |     |        | 110 |     | 230 |
| LPH-300-184LV | 1.8 |     |        | 130 |     | 230 |
| LPH-300-204LV | 2.0 |     |        | 150 |     | 230 |

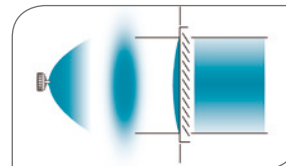
Air Nipple: G1/4" • Fluid Nipple: G1/4"



LV Technology Split Nozzle



Round Nozzle



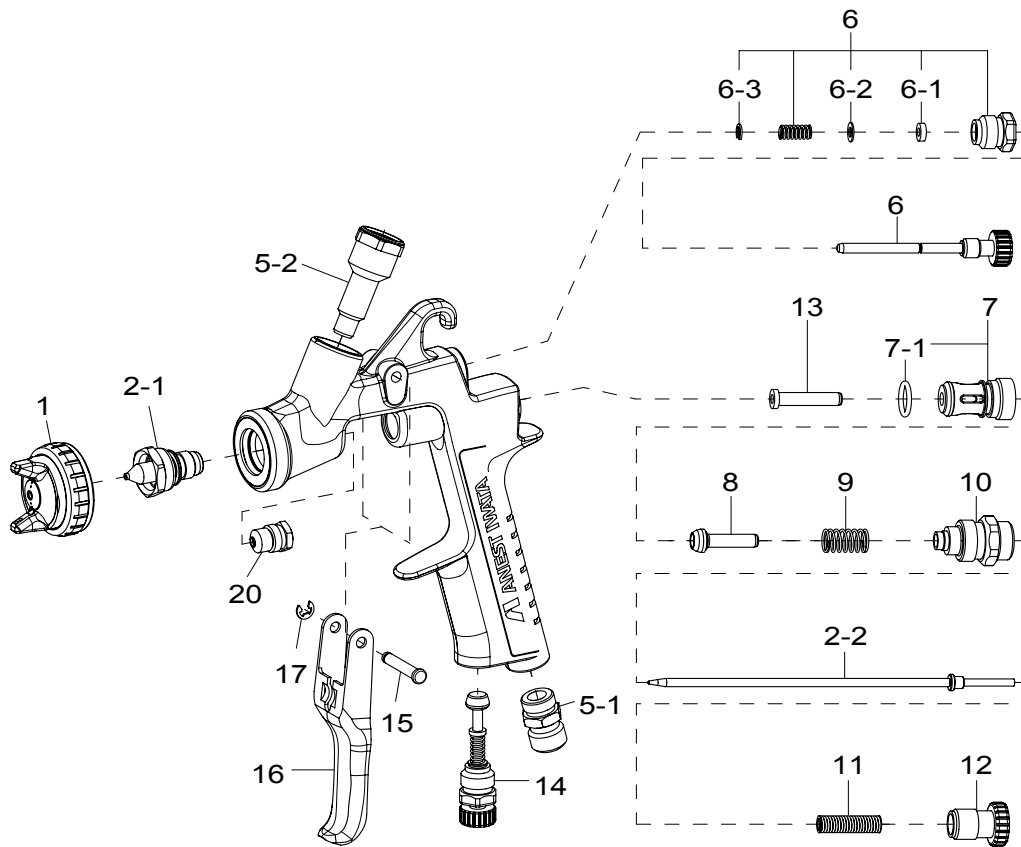
See page 50  
for cup options  
(sold separately)

### ORDER Information - LPH-300-LV

|                                       | ø 1.2    | ø 1.3    | ø 1.4    | ø 1.6    | ø 1.8    | ø 2.0    | \$     |
|---------------------------------------|----------|----------|----------|----------|----------|----------|--------|
| GRAVITY SPRAY GUN LPH-300-LV          | 3940     | 3955     | 3945     | 3950     | 3960     | 3965     | 349.00 |
| GRAVITY SPRAY GUN + PCG4D2 - 400ML    | 3941     | 3956     | 3946     | 3951     | 3961     | 3966     | 409.00 |
| GRAVITY SPRAY GUN + PCG600P-2 - 600ML | 3943     | 3958     | 3948     | 3953     | 3963     | 3968     | 416.00 |
| GRAVITY SPRAY GUN + PCG7D2 - 700ML    | 3942     | 3957     | 3947     | 3952     | 3962     | 3967     | 409.00 |
| NOZZLE + NEEDLE SET                   | 93867600 | 93623600 | 93862600 | 93869600 | 93871600 | 93621600 | 153.00 |
| AIR CAP SET                           | 93875602 |          |          |          |          |          | 144.00 |







### SPARE PARTS

| Ref.     | Code     | Description              | Qty.           | \$     |
|----------|----------|--------------------------|----------------|--------|
| 1        | 93875602 | AIR CAP SET              |                | P. 16  |
| 2-1+ 2-2 |          | NOZZLE + NEEDLE SET      |                | 153.00 |
| 5-1      | 93660300 | AIR NIPPLE               |                | 8.00   |
| 5-2      | 93575620 | FLUID NIPPLE             |                | 57.00  |
| 6        | 93577620 | PATTERN ADJ. SET         |                | 32.00  |
| 6-1      |          | STOPPER                  | Sold as Ref. 6 |        |
| 6-2      |          | WASHER                   | Sold as Ref. 6 |        |
| 6-3      |          | BACK RING                | Sold as Ref. 6 |        |
| 7        | 93843530 | AIR VALVE SEAT SET       |                | 20.00  |
| 7-1      | 96638008 | O RING                   |                | 4.00   |
| 8        | 93591530 | AIR VALVE                |                | 14.00  |
| 9        | 93719530 | AIR VALVE SPRING         |                | 8.00   |
| 10       | 93844532 | FLUID ADJ. GUIDE SET     |                | 28.00  |
| 11       | 93593530 | FLUID NEEDLE SPRING      |                | 8.00   |
| 12       | 93594532 | FLUID ADJ. KNOB          |                | 11.00  |
| 13       | 93935430 | AIR VALVE SHAFT          |                | 11.00  |
| 14       | 93845531 | AIR ADJ. SET             |                | 28.00  |
| 15       | 93667360 | TRIGGER STUD             |                | 5.00   |
| 16       | 93597530 | TRIGGER                  |                | 12.00  |
| 17       | 93912030 | E STOPPER                | 2 pcs./1 pk.   | 4.00   |
| 20       | 93765610 | NEEDLE PACKING CARTRIDGE |                | 36.00  |

### ACCESSORIES

| Ref. | Code     | Description  | \$     |
|------|----------|--|--------|
|      | 93576530 | AIR CAP PACKING (WHITE)                                  | 5.00   |
|      | 93608320 | AIR CAP PACKING (BLACK)                                  | 4.00   |
|      | 2950     | MK5 MAINTENANCE KIT                                      | 70.00  |
|      | 5650     | REPAIR SERVICE KIT<br>(includes: 7-1, 9, 11, 15, 17, 20) | 58.00  |
|      | 2985B    | TEST CAP GAUGE SET "LPH100-LV4"                          | 225.00 |

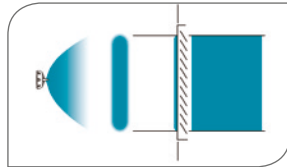




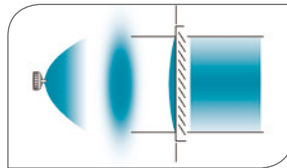
See page 52  
for cup options  
(sold separately)



LV Technology Split Nozzle



Round Nozzle



### FEATURES

- Compact, lightweight HVLP spray gun reduces fatigue while maintaining full size spray gun functionality
- LV Technology and tulip inspired spray pattern for superior atomization and minimal overspray for higher transfer efficiency
- Ideal for primer and DTM coatings

### TECHNICAL



| LPH-101-P       |     |     |        |     |      |     |
|-----------------|-----|-----|--------|-----|------|-----|
| LPH-101-081P    | 0.8 | E1  | 2.5/36 | 150 | 15.2 | 170 |
| LPH-101-101P    | 1.0 |     |        | 200 |      | 200 |
| LPH-101-122P    | 1.2 | G2  | 3.5/50 | 350 | 18.7 | 270 |
| LPH-101-131P    | 1.3 | E1  | 2.5/36 | 200 | 15.2 | 240 |
| LPH-101-151P    | 1.5 |     |        | 250 |      | 250 |
| LPH-101-LVP     |     |     |        |     |      |     |
| LPH-101-062LVP  | 0.6 | LV6 | 1.8/25 | 100 | 9.9  | 220 |
| LPH-101-082LVP  | 0.8 |     |        |     |      | 230 |
| LPH-101-102LVP  | 1.0 |     |        | 250 |      |     |
| LPH-101-112-LVP | 1.1 |     |        | 150 |      | 260 |
| LPH-101-LVS     |     |     |        |     |      |     |
| LPH-101-144LVS  | 1.4 | LV4 | 1.0/14 | 95  | 7.1  | 190 |
| LPH-101-164LVS  | 1.6 |     | 1.3/18 | 120 | 8    | 200 |
| LPH-101-LVG     |     |     |        |     |      |     |
| LPH-101-124LVG  | 1.2 | LV4 | 1.3/18 | 70  | 8.5  | 190 |
| LPH-101-144LVG  | 1.4 |     |        | 80  |      | 200 |
| LPH-101-164LVG  | 1.4 |     |        | 100 |      | 220 |
| LPH-101-184LVG  | 1.8 |     |        | 120 |      | 230 |

Air Nipple: G1/4" • LVG/LVS Fluid Nipple: G1/4" • P/LVP Fluid Nipple: G3/8"

### ORDER Information - LPH-101-P Pressure

|                     | ø 0.8    | ø 1.0    | ø 1.2    | ø 1.3    | ø 1.5    | \$     |
|---------------------|----------|----------|----------|----------|----------|--------|
| PRESSURE SPRAY GUN  | 5310B    | 5313B    | 5325B    | 5316B    | 5319B    | 424.00 |
| NOZZLE + NEEDLE SET | 93855600 | 93856600 | 93857600 | 93833530 | 93802600 | 140.00 |
| AIR CAP SET - E1    | 93832532 |          | -        | 93832532 |          | 140.00 |
| AIR CAP SET - G2    | -        |          | 93811602 | -        |          | 174.00 |

### ORDER Information - LPH-101-LVP Pressure

|                     | ø 0.6           | ø 0.8    | ø 1.0    | ø 1.1           | \$     |
|---------------------|-----------------|----------|----------|-----------------|--------|
| PRESSURE SPRAY GUN  | 5334            | 5331B    | 5332B    | 5335            | 485.00 |
| NOZZLE + NEEDLE SET | 9LPH101062LVP-1 | 93512650 | 93502650 | 9LPH101112LVP-1 | 216.00 |
| AIR CAP SET         | 93500651        |          |          |                 | 168.00 |

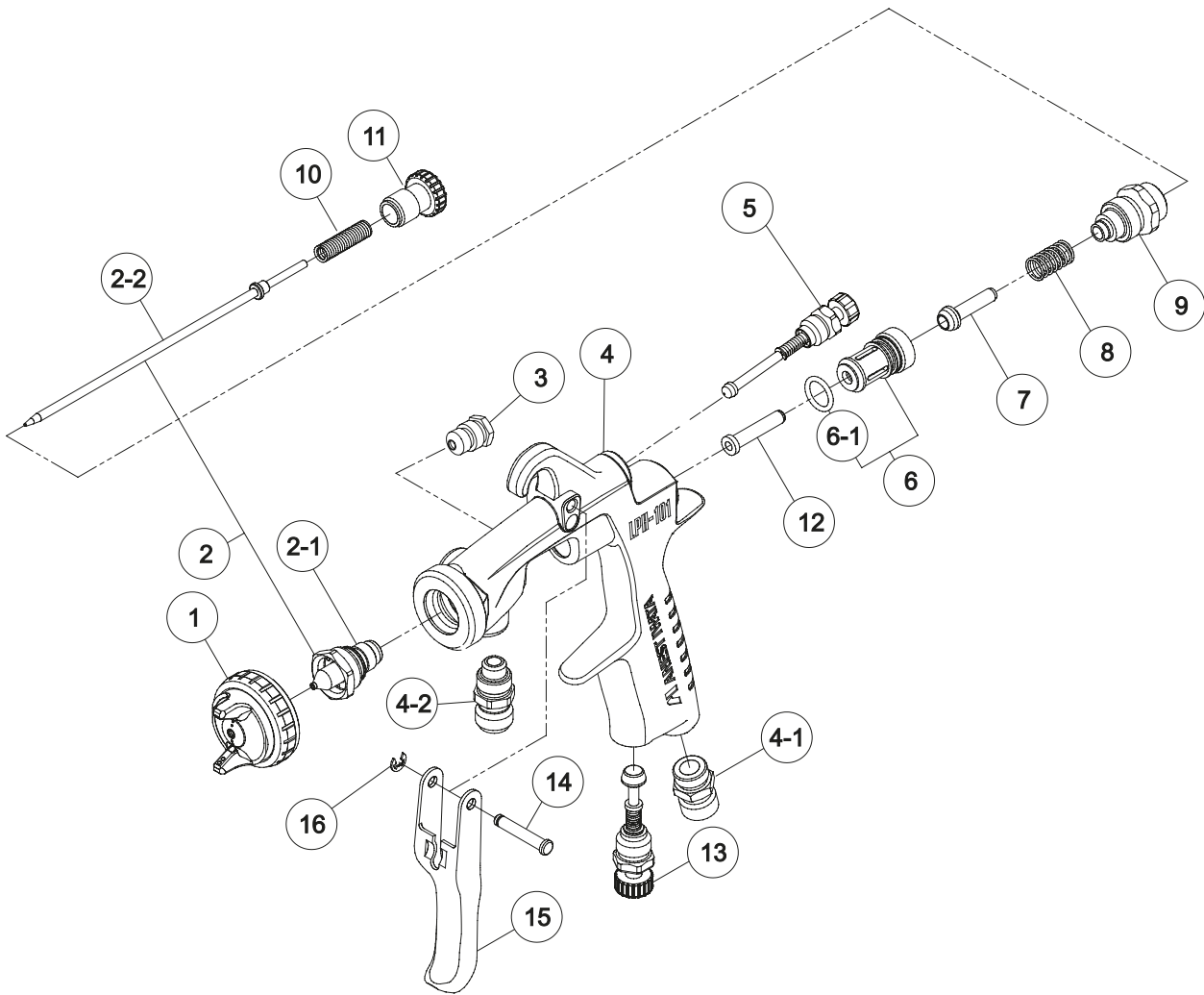
### ORDER Information - LPH-101-LVS Siphon

|   | ø 1.4    | ø 1.6    | \$     |
|---|----------|----------|--------|
| SIPHON SPRAY GUN                          | 5375B    | 5385B    | 453.00 |
| SIPHON SPRAY GUN + PCL7B2 - 700ML         | 5376B    | 5386B    | 517.00 |
| 5376B SIPHON SPRAY GUN + PCL10B2 - 1000ML | 5377B    | 5387B    | 517.00 |
| NOZZLE + NEEDLE SET                       | 93542600 | 93545600 | 120.00 |
| AIR CAP SET                               | 93875602 |          | 144.00 |

### ORDER Information - LPH-101-LVG Gravity

|                                    | ø 1.2    | ø 1.4    | ø 1.6    | ø 1.8    | \$     |
|------------------------------------|----------|----------|----------|----------|--------|
| GRAVITY SPRAY GUN                  | 5360B    | 5370B    | 5380B    | 5390B    | 453.00 |
| GRAVITY SPRAY GUN + PCG6P2 - 600ML | 5361B    | 5371B    | 5381B    | 5391B    | 545.00 |
| GRAVITY SPRAY GUN + PC4S - 400ML   | 5362B    | 5372B    | 5382B    | 5392B    | 508.00 |
| NOZZLE + NEEDLE SET                | 93544600 | 93542600 | 93545600 | 93546600 | 120.00 |
| AIR CAP SET                        | 93875602 |          |          |          | 144.00 |





### SPARE PARTS

| Ref. | Code     | Description            | Qty.            | \$    |
|------|----------|------------------------|-----------------|-------|
| 1    |          | AIR CAP SET            |                 | P. 18 |
| 2    |          | NOZZLE/NEEDLE SET      |                 | P. 18 |
| 3    | 93765610 | CARTRIDGE PACKING      |                 | 36.00 |
| 4-1  | 93660300 | AIR INLET              | 1/4"            | 8.00  |
| 4-2  | 93515600 | FLUID NIPPLE           | 3/8"<br>P/LVP   | 17.00 |
| 4-2  | 93584530 | FLUID NIPPLE           | 1/4"<br>LVG/LVS | 16.00 |
| 5    | 93842531 | PATTERN ADJUST SET     |                 | 29.00 |
| 6    | 93843530 | AIR VALVE SEAT SET     |                 | 20.00 |
| 6-1  | 96638008 | O RING                 |                 | 4.00  |
| 7    | 93591530 | AIR VALVE              |                 | 14.00 |
| 8    | 93719530 | AIR VALVE SPRING       |                 | 8.00  |
| 9    | 93844532 | FLUID ADJUST GUIDE SET |                 | 28.00 |
| 10   | 93593530 | FLUID NEEDLE SPRING    |                 | 8.00  |
| 11   | 93594532 | FLUID ADJUST KNOB      |                 | 11.00 |
| 12   | 93935430 | AIR VALVE SHAFT        |                 | 11.00 |
| 13   | 93845531 | AIR ADJUST SET         |                 | 28.00 |
| 14   | 93667360 | TRIGGER STUD           |                 | 5.00  |
| 15   | 93517530 | TRIGGER                |                 | 14.00 |
| 16   | 93912030 | STOPPER                | 2 Pcs. / 1 pk.  | 4.00  |

### ACCESSORIES

| Ref. | Code     | Description   | \$     |
|------|----------|---|--------|
|      | 93576530 | L GASKET (BLACK)  | 6.00   |
|      | 93708320 | AIR CAP GASKET (WHITE)                                  | 5.00   |
|      | 93538600 | GUN WRENCH  | 17.00  |
|      | 2950     | MK5 MAINTENANCE KIT                                     | 70.00  |
|      | 5650     | REPAIR SERVICE KIT<br>(Includes: 3, 6-1, 8, 10, 14, 26) | 58.00  |
|      | 2985B    | TEST CAP GAUGE SET LV4                                  | 225.00 |
|      | 2986B    | TEST CAP GAUGE G2                                       | 225.00 |
|      | 2987B    | TEST CAP GAUGE E1                                       | 225.00 |



## LPH-80

LPH-80 with  
PCG2D-1 Cup

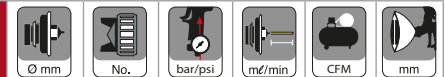


See page 50  
for cup options  
(sold separately)

### FEATURES

- Perfect for spot repair and touch-up as well as coating hard to reach areas
- Very fine atomization with low air consumption
- Extremely low material consumption
- Perfect handling when blending
- One of the most lightweight spot repair guns on the market
- Simple operation of the control knobs for both right and left handers
- Conical seal nozzle, minimum wear parts
- Easy maintenance
- Quality surface for easy cleaning

### TECHNICAL



| LPH-80                 |      |     |         |        |     |     |
|------------------------|------|-----|---------|--------|-----|-----|
| Model                  | Ø mm | No. | bar/psi | ml/min | CFM | mm  |
| LPH-80-042G            | 0.4  | E2  | 1.0/13  | 8      | 1.8 | 40  |
| LPH-80-062G            | 0.6  |     |         | 25     |     | 60  |
| LPH-80-082G            | 0.8  |     |         | 45     |     | 80  |
| LPH-80-102G            | 1.0  |     |         | 55     |     | 100 |
| LPH-80-122G            | 1.2  |     |         | 80     |     | 120 |
| LPH-80-104G (WIDE FAN) | 1.0  | E4  | 1.0/14  | 60     | 2.2 | 130 |
| LPH-80-124G (WIDE FAN) | 1.2  |     |         | 75     |     | 140 |

Air Nipple: G1/4" • Fluid Nipple: G1/8"

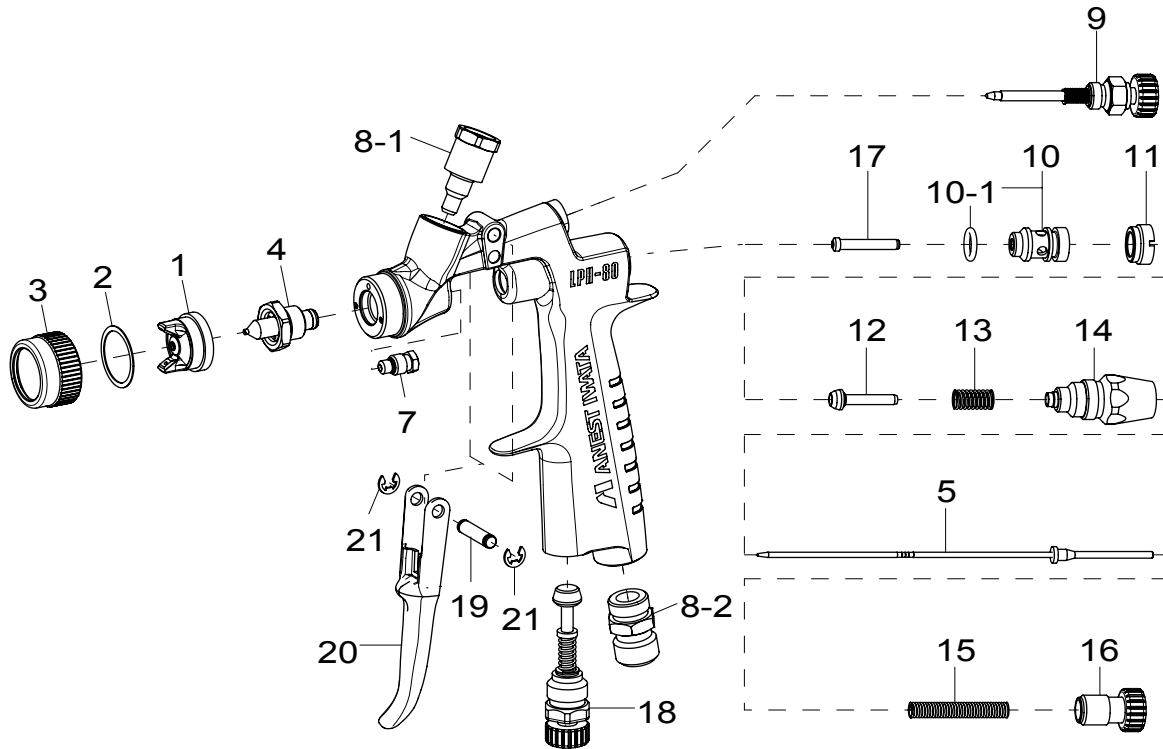
### ORDER Information - LPH-80

|                                     | Ø 0.4    | Ø 0.6    | Ø 0.8    | Ø 1.0(E2) | Ø 1.2(E2) | Ø 1.0(E4) | Ø 1.2(E4) | \$     |
|-------------------------------------|----------|----------|----------|-----------|-----------|-----------|-----------|--------|
| GRAVITY SPRAY GUN LPH-80            | 4900     | 4905     | 4910     | 4915      | 4920      | 4925      | 4930      | 342.00 |
| GRAVITY SPRAY GUN + PCG2D-1 - 150ML | 4901     | 4906     | 4911     | 4916      | 4921      | 4926      | 4931      | 398.00 |
| AIR CAP SET                         | 93557600 |          |          |           |           | 93662600  |           | P. 21  |
| NEEDLE SET                          | 93891600 | 93890600 |          | 93886600  |           |           |           | 35.00  |
| FLUID NOZZLE                        | 93570600 | 93568600 | 93761530 | 93560600  | 93760530  | 93560600  | 93760530  | 97.00  |

### ORDER Information - LPH-80-ST2 GLAZING GUN

|                                    | Ø 1.0          | \$     |
|------------------------------------|----------------|--------|
| GRAVITY SPRAY GUN LPH-80-ST2-100   | 4950           | 299.00 |
| GRAVITY SPRAY GUN + PCG2D1 - 150ML | 4951           | 352.00 |
| GUN + Pressure Pot/Hose Kit        | 4952           | 369.00 |
| AIR CAP SET                        | 9LPH-80-ST2-01 | 124.00 |
| NOZZLE SET                         | 9LPH-80-ST2-02 | 97.00  |
| NEEDLE SET                         | 9LPH-80-ST2-10 | 79.00  |





### SPARE PARTS

| Ref. | Code     | Description              |              | \$     |
|------|----------|--------------------------|--------------|--------|
| 1    | 93557600 | AIR CAP SET              | E2           | 90.00  |
| 1    | 93662600 | AIR CAP SET              | E4           | 119.00 |
| 2    | 93558600 | AIR CAP GASKET           |              | 4.00   |
| 3    | 93559600 | AIR CAP COVER RING       |              | 14.00  |
| 4    |          | NOZZLE SET               |              | P. 20  |
| 5    |          | NEEDLE SET               |              | P. 20  |
| 7    | 93940890 | NEEDLE PACKING CARTRIDGE |              | 21.00  |
| 8-1  | 93753530 | FLUID NIPPLE             | 1/8" BSP     | 47.00  |
| 8-2  | 93660300 | AIR NIPPLE               | 1/4"         | 8.00   |
| 9    | 93748530 | PATTERN ADJ. SET         |              | 36.00  |
| 10   | 93912880 | AIR VALVE SEAT SET       |              | 30.00  |
| 10-1 | 96638005 | O RING                   |              | 4.00   |
| 11   | 93011880 | AIR VALVE SEAT SCREW     |              | 6.00   |
| 12   | 93013880 | AIR VALVE                |              | 14.00  |
| 13   | 93012880 | AIR VALVE SPRING         |              | 5.00   |
| 14   | 93936880 | FLUID ADJ. GUIDE SET     |              | 30.00  |
| 15   | 93015880 | FLUID NEEDLE SPRING      |              | 8.00   |
| 16   | 93754530 | FLUID ADJ. KNOB          |              | 11.00  |
| 17   | 93006880 | AIR VALVE SHAFT          |              | 14.00  |
| 18   | 93845531 | AIR ADJ. SET             |              | 28.00  |
| 19   | 93167890 | TRIGGER STUD             |              | 5.00   |
| 20   | 93162890 | TRIGGER                  |              | 10.00  |
| 21   | 93912030 | E STOPPER                | 2 pcs./1 pk. | 4.00   |

### ACCESSORIES

| Ref. | Code | Description   | \$     |
|------|------|---|--------|
|      | 2950 | MK5 MAINTENANCE KIT                                   | 70.00  |
|      | 2860 | REPAIR SERVICE KIT<br>(includes: 7, 10-1, 21)         | 29.00  |
|      | 2981 | TEST CAP GAUGE SET "E2"<br>(042G/062G/082G/102G/122G) | 195.00 |
|      | 2982 | TEST CAP GAUGE SET "E4"<br>(104G/124G)                | 195.00 |



## LPH-50



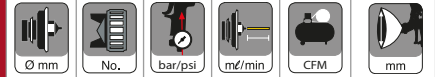
**LPH-50 with  
PC5 Cup**

See page 52  
for cup options  
(sold separately)

### FEATURES

- High performance miniature HVLP spray gun with side mounted cup
- Superior atomization with low air consumption

### TECHNICAL



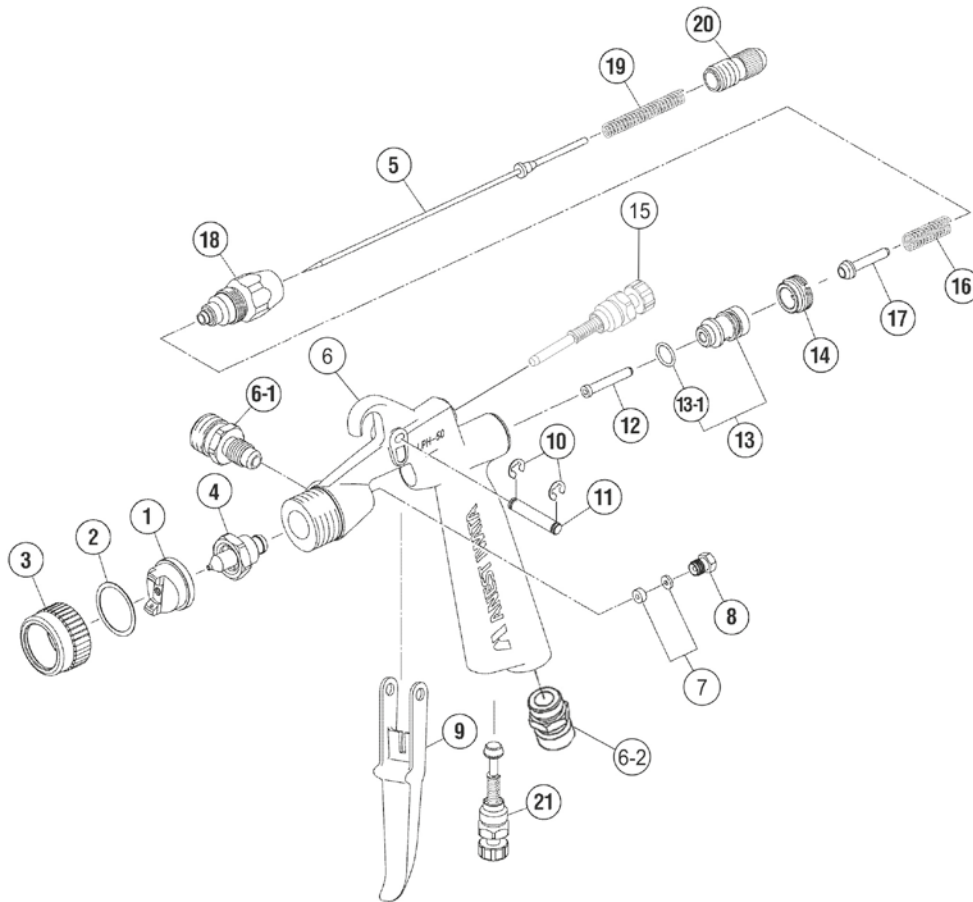
| LPH-50      |     |    |        |    |     |     |
|-------------|-----|----|--------|----|-----|-----|
| LPH-50-042G | 0.4 | E2 | 0.9/13 | 8  | 1.8 | 40  |
| LPH-50-062G | 0.6 |    |        | 25 |     | 60  |
| LPH-50-102G | 1.0 |    |        | 55 |     | 100 |

• Air Nipple: G1/4" • Fluid Nipple: G1/4"

### ORDER Information - LPH-50

|                                  | ø 0.4          | ø 0.6    | ø 1.0    | \$     |
|----------------------------------|----------------|----------|----------|--------|
| SPRAY GUN LPH-50                 | 5261           | 5262     | 5263     | 342.00 |
| GRAVITY SPRAY GUN + PC61 - 150ML | 5272           | 5274     | 5276     | 409.00 |
| GRAVITY SPRAY GUN + PC5 - 250ML  | 5271           | 5273     | 5275     | 398.00 |
| NOZZLE                           | 93570600       | 93568600 | 93560600 | 97.00  |
| NEEDLE                           | 93891600       | 93890600 | 93886600 | 35.00  |
| AIR CAP SET                      | E2<br>93557600 |          |          | 90.00  |





**SPARE PARTS**

| Ref. | Code     | Description          | Qty.        | \$    |
|------|----------|----------------------|-------------|-------|
| 1    | 93557600 | AIR CAP SET E2       |             | 90.00 |
| 2    | 93558600 | AIR CAP GASKET       |             | 4.00  |
| 3    | 93559600 | COVER RING           |             | 14.00 |
| 4    |          | FLUID NOZZLE         |             | 97.00 |
| 5    |          | FLUID NEEDLE         |             | 35.00 |
| 6-1  | 93005891 | FLUID NIPPLE         |             | 17.00 |
| 6-2  | 93660300 | AIR NIPPLE           |             | 8.00  |
| 7    | 93940890 | NEEDLE PACKING SET   | Set w/ No.8 | 21.00 |
| 8    |          | NEEDLE PACKING SEAT  |             |       |
| 9    | 93162890 | TRIGGER              |             | 10.00 |
| 10   | 93912030 | E STOPPER            | (2pcs/1 pk) | 4.00  |
| 11   | 93167890 | TRIGGER STUD         |             | 5.00  |
| 12   | 93006880 | AIR VALVE SHAFT      |             | 14.00 |
| 13   | 93912880 | AIR VALVE SEAT SET   |             | 30.00 |
| 13-1 | 96638005 | O RING               |             | 4.00  |
| 14   | 93011880 | AIR VALVE SEAT SCREW |             | 6.00  |
| 15   | 93888600 | PATTERN ADJ. SET     |             | 36.00 |
| 16   | 93012880 | AIR VALVE SPRING     |             | 5.00  |
| 17   | 93013880 | AIR VALVE            |             | 14.00 |
| 18   | 93936880 | FLUID ADJ. GUIDE SET |             | 30.00 |
| 19   | 93015880 | FLUID NEEDLE SPRING  |             | 8.00  |
| 20   | 93017880 | FLUID ADJ. KNOB      |             | 11.00 |
| 21   | 93845531 | AIR ADJ. SET         |             | 28.00 |

**ACCESSORIES**

| Ref. | Code   | Description   | \$     |
|------|--------|---|--------|
|      | 6022   | AIRBRUSH BOTTLE ADAPTER KIT WITH THREE 2 OZ BOTTLES | 72.00  |
|      | 6022-1 | AIRBRUSH BOTTLE ADAPTER ONLY                        | 43.00  |
|      | 2981   | TEST CAP SET  | 195.00 |
|      | 2950   | MK5 MAINTENANCE KIT                                 | 70.00  |
|      | 2860   | REPAIR SERVICE KIT (Includes: 7, 8, 10, 13-1)       | 29.00  |



# NON-HVLP CONVENTIONAL GRAVITY SPRAY GUNS



## WS-400HD SUPERNOVA EVOTECH



### FEATURES

- Complies with EPA NESHAP 40 CFR, Part 63 Subpart 6H
- Concentrated fine atomization
- Large fan tulip pattern
- Standard for clear coats
- Fast application speed
- Superior transfer efficiency

### TECHNICAL

| WS-400HD      | Ø mm | No. | bar/psi | m <sup>3</sup> /min | CFM | mm  |
|---------------|------|-----|---------|---------------------|-----|-----|
| WS-400-1201HD | 1.2  | 01  | 2.0/29  | 13                  | 160 | 200 |
| WS-400-1301HD | 1.3  |     |         |                     |     | 220 |
| WS-400-1401HD | 1.4  |     |         |                     |     | 240 |
| WS-400-1501HD | 1.5  |     |         |                     |     | 260 |
| WS-400-OBS13  | 1.3  |     |         |                     |     | 365 |

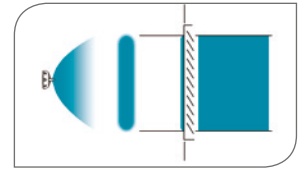
• Air Nipple: G1/4" • Fluid Nipple: G1/4"



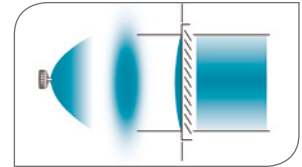
WS-400HD with PCG600P2 Cup



LV Technology Split Nozzle



Round Nozzle

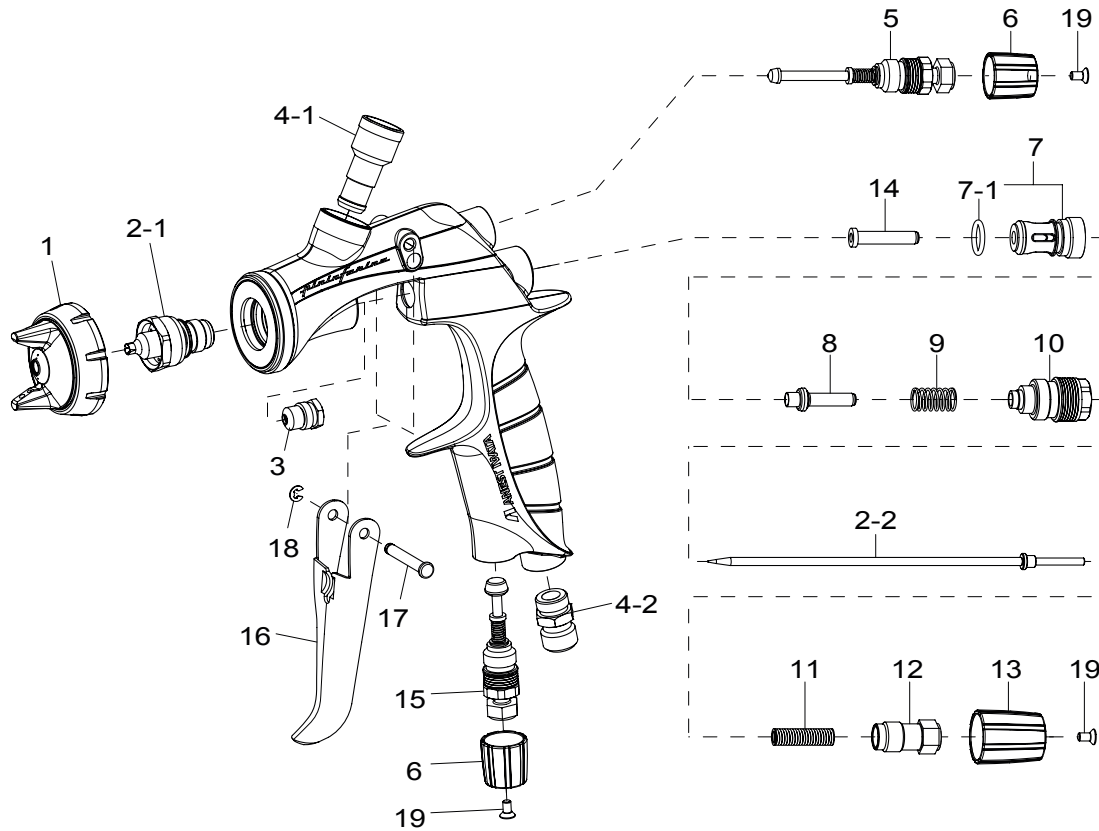


See page 50 for cup options (sold separately)

| ORDER Information - WS-400HD Gravity | Ø 1.2HD               | Ø 1.3(OBS) | Ø 1.3HD  | Ø 1.4HD  | Ø 1.5HD  | \$     |
|--------------------------------------|-----------------------|------------|----------|----------|----------|--------|
| GRAVITY SPRAY GUN WS-400HD           | 5900                  | 5920       | 5905     | 5910     | 5915     | 798.00 |
| GRAVITY SPRAY GUN + PCG600P2 - 600ML | 5901                  | 5921       | 5906     | 5911     | 5916     | 869.00 |
| GRAVITY SPRAY GUN + PCG7D2 - 700ML   | 5902                  | 5922       | 5907     | 5912     | 5917     | 874.00 |
| GRAVITY SPRAY GUN + PCG10D2 - 1000ML | 5903                  | 5923       | 5908     | 5913     | 5918     | 874.00 |
| NOZZLE + NEEDLE SET                  | 93505870              | 93506850   | 93506910 | 93506920 | 93506930 | 154.00 |
| AIR CAP SET                          | WS-400-01<br>93505300 |            |          |          |          | 209.00 |







### SPARE PARTS

| Ref.    | Code     | Description            | Qty.   | \$     |
|---------|----------|------------------------|--------|--------|
| 1       | 93505300 | AIR CAP SET 01         |        | 209.00 |
| 2.1+2.2 |          | NOZZLE + NEEDLE SET    |        | 154.00 |
| 3       | 93765610 | CARTRIDGE PACKING      |        | 36.00  |
| 4-1     | 93505421 | FLUID NIPPLE           | 1/4"   | 67.00  |
| 4-2     | 93660300 | AIR NIPPLE             | 1/4"   | 8.00   |
| 5       | 93505432 | PATTERN ADJUST SET     |        | 38.00  |
| 6       | 93505471 | ADJUST KNOB            | SILVER | 15.00  |
| 7       | 93843530 | AIR VALVE SEAT SET     |        | 20.00  |
| 7-1     | 96638008 | O RING                 |        | 4.00   |
| 8       | 93505480 | AIR VALVE              |        | 18.00  |
| 9       | 93719530 | AIR VALVE SPRING       |        | 8.00   |
| 10      | 93505492 | FLUID ADJUST GUIDE SET |        | 31.00  |
| 11      | 93593530 | FLUID NEEDLE SPRING    |        | 8.00   |
| 12      | 93505822 | FLUID ADJ. SCREW SET   |        | 16.00  |
| 13      | 93505831 | FLUID ADJUST KNOB      | SILVER | 15.00  |
| 14      | 93935430 | AIR VALVE SHAFT        |        | 11.00  |
| 15      | 93505842 | AIR ADJUST SET         |        | 33.00  |
| 16      | 93505850 | TRIGGER                |        | 18.00  |
| 17      | 93505860 | TRIGGER STUD           |        | 7.00   |
| 18      | 96612025 | E STOPPER              |        | 5.00   |
| 19      | 93506970 | STAR FLAT HEAD BOLT    |        | 6.00   |
| 18      | 93936880 | FLUID ADJ. GUIDE SET   |        | 30.00  |
| 19      | 93015880 | FLUID NEEDLE SPRING    |        | 8.00   |

### ACCESSORIES

| Ref. | Code     | Description   | \$    |
|------|----------|---|-------|
|      | 93505341 | AIR CAP GASKET (BLACK)                                  | 8.00  |
|      | 93505330 | AIR CAP GASKET (WHITE)                                  | 6.00  |
|      | 5652     | REPAIR SERVICE KIT<br>(Includes: 3, 7, 9, 11, 17, & 18) | 90.00 |



# NON-HVLP CONVENTIONAL GRAVITY SPRAY GUNS



## W-400-LV



W-400-LV with PCG10EM Cup

See page 50 for cup options (sold separately)

### FEATURES

- High transfer efficiency spray gun combines patented LV Technology
- Tulip inspired spray pattern
- Ideal for general purpose use
- Quality surface for easy cleaning
- Minimal wear parts for easy maintenance

### TECHNICAL



| W-400-LV     |      |     |         |        |      |     |
|--------------|------|-----|---------|--------|------|-----|
| Model        | Ø mm | No. | bar/psi | ml/min | CFM  | mm  |
| W-400LV-124G | 1.2  | LV4 | 1.4/20  | 100    | 10.5 | 250 |
| W-400LV-134G | 1.3  |     |         | 140    |      | 270 |
| W-400LV-144G | 1.4  |     |         | 155    |      | 290 |
| W-400LV-164G | 1.6  |     |         | 185    |      | 305 |
| W-400LV-184G | 1.8  |     |         | 235    |      | 325 |

• Air Nipple: G1/4" • Fluid Nipple: M16 X 1.5m

### ORDER Information - W-400-LV W/O REGULATOR

|                                       | ø 1.2           | ø 1.3    | ø 1.4    | ø 1.6    | ø 1.8    | \$     |
|---------------------------------------|-----------------|----------|----------|----------|----------|--------|
| GRAVITY SPRAY GUN                     | 4750            | 4755     | 4760     | 4765     | 4770     | 503.00 |
| GRAVITY SPRAY GUN + PCG6PM - 600 ml   | 4751            | 4756     | 4761     | 4766     | 4771     | 562.00 |
| GRAVITY SPRAY GUN + PCG7EM - 700 ml   | 4752            | 4757     | 4762     | 4767     | 4772     | 567.00 |
| GRAVITY SPRAY GUN + PCG10EM - 1000 ml | 4753            | 4758     | 4763     | 4768     | 4773     | 567.00 |
| NOZZLE + NEEDLE SET                   | 93627610        | 93634610 | 93628610 | 93622620 | 93635620 | 149.00 |
| AIR CAP SET                           | LV4<br>93631621 |          |          |          |          | 138.00 |

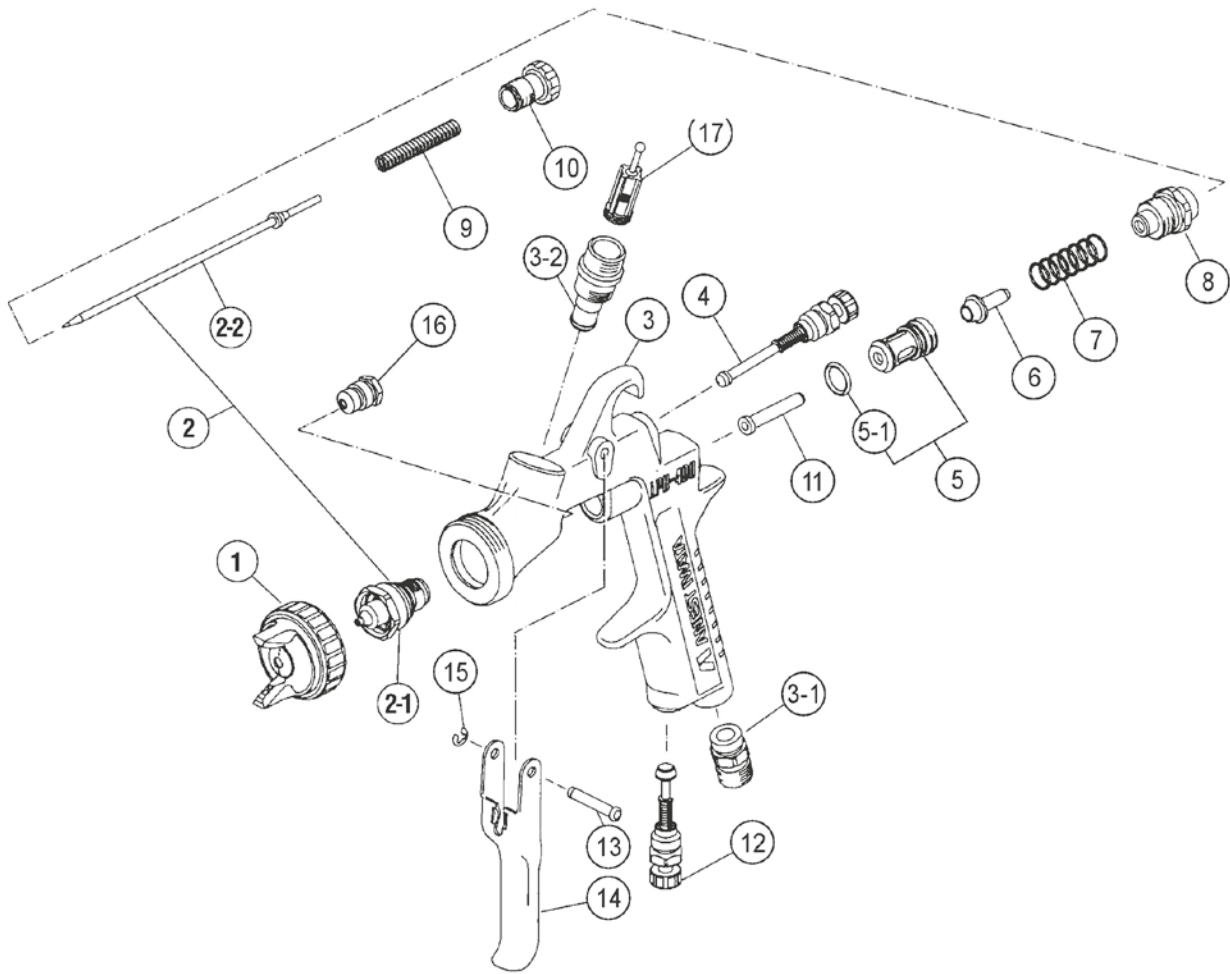
### ORDER Information - W-400-LV W/ AK-1B2 AIR REGULATOR

|                                       | ø 1.2 | ø 1.3 | ø 1.4 | ø 1.6 | ø 1.8 | \$     |
|---------------------------------------|-------|-------|-------|-------|-------|--------|
| GRAVITY SPRAY GUN                     | 4775  | 4780  | 4785  | 4790  | 4795  | 562.00 |
| GRAVITY SPRAY GUN + PCG6PM - 600 ml   | 4776  | 4781  | 4786  | 4791  | 4796  | 620.00 |
| GRAVITY SPRAY GUN + PCG7EM - 700 ml   | 4777  | 4782  | 4787  | 4792  | 4797  | 625.00 |
| GRAVITY SPRAY GUN + PCG10EM - 1000 ml | 4778  | 4783  | 4788  | 4793  | 4798  | 625.00 |

### ORDER Information - W-400-LV W/ AK-1R2 AIR REGULATOR

|                                       | ø 1.2 | ø 1.3 | ø 1.4 | ø 1.6 | ø 1.8 | \$     |
|---------------------------------------|-------|-------|-------|-------|-------|--------|
| GRAVITY SPRAY GUN                     | 4855  | 4860  | 4865  | 4870  | 4875  | 562.00 |
| GRAVITY SPRAY GUN + PCG6PM - 600 ml   | 4856  | 4861  | 4866  | 4871  | 4876  | 620.00 |
| GRAVITY SPRAY GUN + PCG7EM - 700 ml   | 4857  | 4862  | 4867  | 4872  | 4877  | 625.00 |
| GRAVITY SPRAY GUN + PCG10EM - 1000 ml | 4858  | 4863  | 4868  | 4873  | 4878  | 625.00 |





### SPARE PARTS

| Ref. | Code     | Description            |               | \$    |
|------|----------|------------------------|---------------|-------|
| 1    |          | AIR CAP SET            |               | P. 26 |
| 2    |          | NOZZLE + NEEDLE SET    |               | P. 26 |
| 3-1  | 93660300 | AIR NIPPLE             | 1/4"          | 8.00  |
| 3-2  | 93650531 | FLUID NIPPLE           | M16X1.5       | 58.00 |
| 4    | 93842601 | PATTERN ADJ. SET       |               | 32.00 |
| 5    | 93843530 | AIR VALVE SEAT SET     |               | 20.00 |
| 5-1  | 96638008 | O RING                 |               | 4.00  |
| 6    | 93591530 | AIR VALVE              |               | 14.00 |
| 7    | 93719530 | AIR VALVE SPRING       |               | 8.00  |
| 8    | 93844532 | FLUID ADJUST GUIDE SET |               | 28.00 |
| 9    | 93593530 | FLUID NEEDLE SPRING    |               | 8.00  |
| 10   | 93594532 | FLUID ADJUST KNOB      |               | 11.00 |
| 11   | 93935430 | AIR VALVE SHAFT        |               | 11.00 |
| 12   | 93845531 | AIR ADJUST SET         |               | 28.00 |
| 13   | 93667360 | TRIGGER STUD           |               | 5.00  |
| 14   | 93517600 | TRIGGER                |               | 14.00 |
| 15   | 93912030 | STOPPER                | (2 PCS./1PK.) | 4.00  |
| 16   | 93765610 | CARTRIDGE PACKING      |               | 36.00 |
| 17   | 93515500 | FILTER                 | 60 MESH       | 8.00  |

### ACCESSORIES

| Ref. | Code     | Description   | \$    |
|------|----------|---|-------|
|      | 93708240 | AIR CAP PACKING (WHITE)                                 | 5.00  |
|      | 93512600 | AIR CAP PACKING (BLACK)                                 | 4.00  |
|      | 2950     | MK5 MAINTENANCE KIT                                     | 70.00 |
|      | 5650     | REPAIR SERVICE KIT<br>(includes: 4, 7-1, 9, 11, 15, 17) | 58.00 |



# NON-HVLP CONVENTIONAL GRAVITY SPRAY GUNS



## W-400



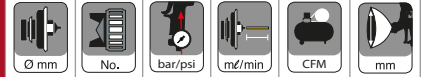
W-400 with PCG6PM Cup

See page 50 for cup options (sold separately)

### FEATURES

- High transfer efficiency spray gun
- Superior automatization
- Ideal for general purpose use
- Quality surface for easy cleaning
- Minimal wear parts for easy maintenance

### TECHNICAL



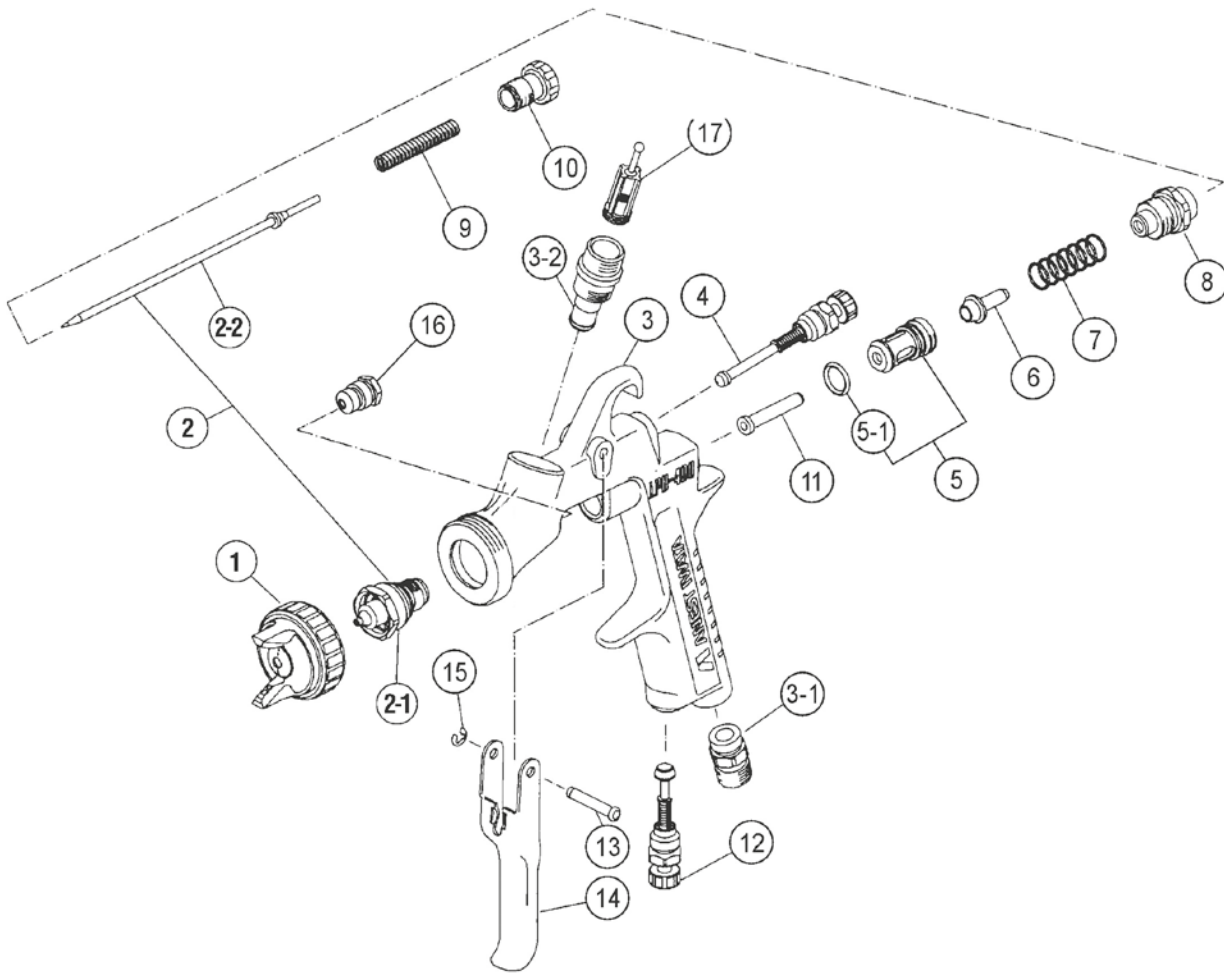
| W-400      |     |     |        |     |      |     |
|------------|-----|-----|--------|-----|------|-----|
| W-400-122G | 1.2 | LV2 | 2.0/29 | 140 | 9.9  | 175 |
| W-400-132G | 1.3 |     |        | 160 |      | 225 |
| W-400-142G | 1.4 |     |        | 210 |      | 270 |
| W-400-162G | 1.6 |     |        | 240 |      | 260 |
| W-400-182G | 1.8 | LV1 |        | 320 | 10.2 | 260 |
| W-400-251G | 2.5 | W1  |        | 580 | 12.7 | 340 |

• Air Nipple: G1/4" • Fluid Nipple: M16 X 1.5m

### ORDER Information - W-400

|                                       | ø 1.2           | ø 1.3    | ø 1.4    | ø 1.6    | ø 1.8           | ø 2.5          | \$     |
|---------------------------------------|-----------------|----------|----------|----------|-----------------|----------------|--------|
| GRAVITY SPRAY GUN                     | 4700            | 4725     | 4705     | 4710     | 4715            | 4720           | 441.00 |
| GRAVITY SPRAY GUN + PCG6PM - 600 ml   | 4702            | 4727     | 4707     | 4712     | 4717            | 4722           | 499.00 |
| GRAVITY SPRAY GUN + PCG7EM - 700 ml   | 4702T           | 4727T    | 4707T    | 4712T    | 4717T           | 4722T          | 504.00 |
| GRAVITY SPRAY GUN + PCG10EM - 1000 ml | 4702U           | 4727U    | 4707U    | 4712U    | 4717U           | 4722U          | 504.00 |
| NOZZLE + NEEDLE SET                   | 93891610        | 93881610 | 93831610 | 93832610 | 93821610        | 93819610       | 99.00  |
| AIR CAP SET                           | LV2<br>93830611 |          |          |          | LV1<br>93859611 | W1<br>93813611 | 101.00 |





### SPARE PARTS

| Ref. | Code     | Description            |               | \$    |
|------|----------|------------------------|---------------|-------|
| 1    |          | AIR CAP SET            |               | P. 28 |
| 2    |          | NOZZLE + NEEDLE SET    |               | P. 28 |
| 3-1  | 93660300 | AIR NIPPLE             | 1/4"          | 8.00  |
| 3-2  | 93650531 | FLUID NIPPLE           | M16X1.5       | 58.00 |
| 4    | 93842601 | PATTERN ADJ. SET       |               | 32.00 |
| 5    | 93843530 | AIR VALVE SEAT SET     |               | 20.00 |
| 5-1  | 96638008 | O RING                 |               | 4.00  |
| 6    | 93591530 | AIR VALVE              |               | 14.00 |
| 7    | 93719530 | AIR VALVE SPRING       |               | 8.00  |
| 8    | 93844532 | FLUID ADJUST GUIDE SET |               | 28.00 |
| 9    | 93593530 | FLUID NEEDLE SPRING    |               | 8.00  |
| 10   | 93594532 | FLUID ADJUST KNOB      |               | 11.00 |
| 11   | 93935430 | AIR VALVE SHAFT        |               | 11.00 |
| 12   | 93845531 | AIR ADJUST SET         |               | 28.00 |
| 13   | 93667360 | TRIGGER STUD           |               | 5.00  |
| 14   | 93517600 | TRIGGER                |               | 14.00 |
| 15   | 93912030 | STOPPER                | (2 PCS./1PK.) | 4.00  |
| 16   | 93765610 | CARTRIDGE PACKING      |               | 36.00 |
| 17   | 93515500 | FILTER                 | 60 MESH       | 8.00  |

### ACCESSORIES

| Ref. | Code     | Description   | \$    |
|------|----------|---|-------|
|      | 93708240 | AIR CAP PACKING (WHITE)                                 | 5.00  |
|      | 93512600 | AIR CAP PACKING (BLACK)                                 | 4.00  |
|      | 2950     | MK5 MAINTENANCE KIT                                     | 70.00 |
|      | 5650     | REPAIR SERVICE KIT<br>(includes: 4, 7-1, 9, 11, 15, 17) | 58.00 |









# NON-HVLP CONVENTIONAL PRESSURE SPRAY GUNS



W-200-P | W-200-ZP | W-200-S25



| TECHNICAL        |     |  Ø mm |  No. |  bar/psi |  ml/min |  CFM |  mm |
|------------------|-----|--|---|---|--|---|--|
| <b>W-200-P</b>   |     |  |   |   |  |   |  |
| W-200-082P       | 0.8 | G2P  | 3.0/44  | 500   | 19.8   | 400   |  |
| W-200-102P       | 1.0 |  |   |   |  |   |  |
| W-200-122P       | 1.2 |  |   |   |  |   |  |
| <b>W-200-ZP</b>  |     |  |   |   |  |   |  |
| W-200-201ZP      | 2.0 | R1Z  | 3.5/51  | 760   | 17.7   | 370   |  |
| W-200-251ZP      | 2.5 |  |   |   |  |   |  |
| <b>W-200-S25</b> |     |  |   |   |  |   |  |
| W-200-S25        | 1.0 | G2P  | 3.0/ 44   | 500   | 19.8   | 360   |  |

Air Nipple: G1/4" • Fluid Nipple: G3/8"



**W-200 S25 - MF**  
with circulation system

## ORDER Information - W-200-P Pressure

|                            | ø 0.8           | ø 1.0    | ø 1.2    | \$     |
|----------------------------|-----------------|----------|----------|--------|
| PRESSURE SPRAY GUN W-200-P | 4602            | 4601     | 4600     | 405.00 |
| NOZZLE + NEEDLE SET        | 93889610        | 93890610 | 93891610 | 120.00 |
| AIR CAP SET                | G2P<br>93818611 |          |          | 110.00 |

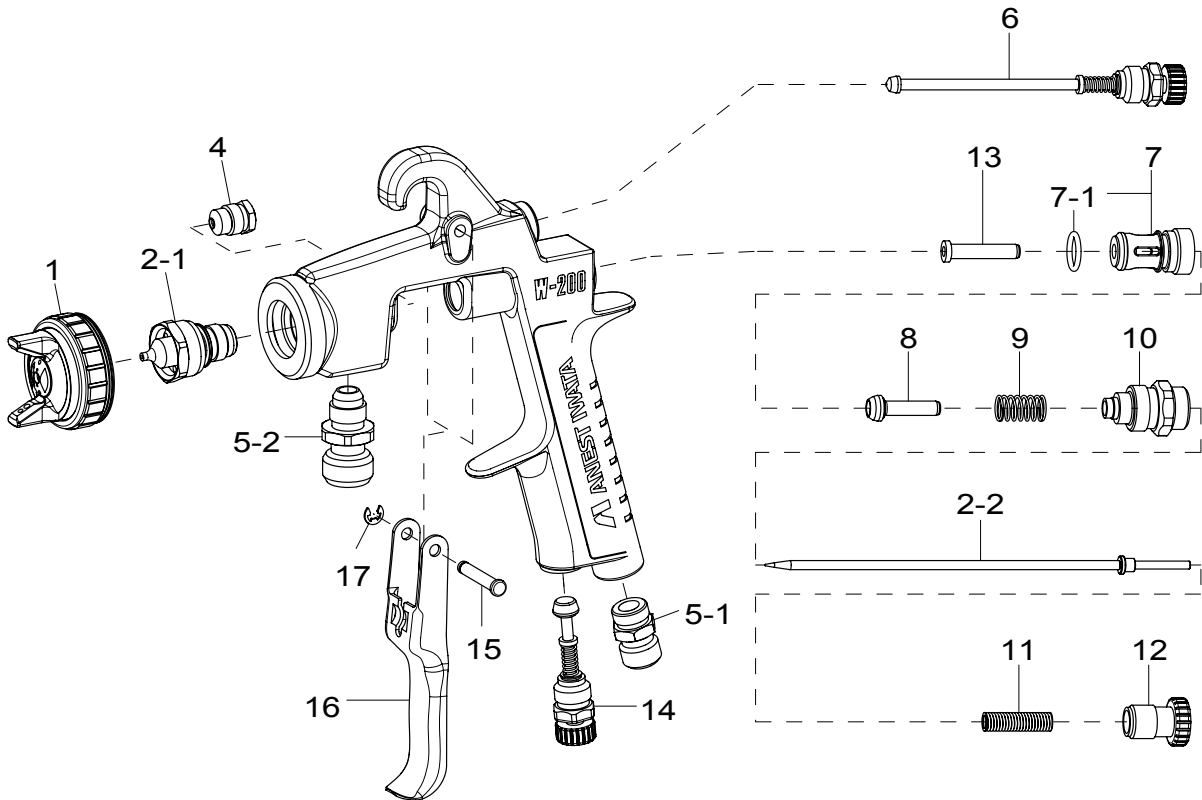
## ORDER Information - W-200-ZP Pressure for Abrasive Paint

|                             | ø 2.0           | ø 2.5    | \$     |
|-----------------------------|-----------------|----------|--------|
| PRESSURE SPRAY GUN W-200-ZP | 4649            | 4659     | 791.00 |
| NOZZLE + NEEDLE SET         | 93872610        | 93874610 | 543.00 |
| AIR CAP SET                 | R1Z<br>93871611 |          | 208.00 |

## ORDER Information - W-200-S25 with Circulation System

|                              | ø 1.0           | \$     |
|------------------------------|-----------------|--------|
| PRESSURE SPRAY GUN W-200-S25 | 4601S25         | 541.00 |
| NOZZLE + NEEDLE SET          | 93890610        | 131.00 |
| AIR CAP SET                  | G2P<br>93818611 | 110.00 |





### SPARE PARTS

| Ref.      | Code     | Description  | Qty.           | \$     |
|-----------|----------|--|----------------|--------|
| 1         | 93818611 | AIR CAP SET G2P                                    |                | 110.00 |
| 2-1 + 2-2 |          | NOZZLE + NEEDLE SET                                |                | P. 30  |
| 2-2       | 93507700 | SPECIAL NEEDLE with TIP in Delrin<br>ø 0.8/1.0/1.2 |                | 173.00 |
| 4         | 93765610 | NEEDLE PACKING CARTRIDGE                           |                | 36.00  |
| 5-1       | 93660300 | AIR NIPPLE   |                | 8.00   |
| 5-2       | 93515600 | FLUID NIPPLE                                       |                | 17.00  |
| 6         | 93840601 | PATTERN ADJ. SET                                   |                | 32.00  |
| 7         | 93843530 | AIR VALVE SEAT                                     |                | 20.00  |
| 7-1       | 96638008 | O RING   |                | 4.00   |
| 8         | 93591530 | AIR VALVE  |                | 14.00  |
| 9         | 93719530 | AIR VALVE SPRING                                   |                | 8.00   |
| 10        | 93844532 | FLUID ADJ. GUIDE SET                               |                | 28.00  |
| 11        | 93593530 | FLUID NEEDLE SPRING                                |                | 8.00   |
| 12        | 93594532 | FLUID ADJ. KNOB                                    |                | 11.00  |
| 13        | 93935430 | AIR VALVE SHAFT                                    |                | 11.00  |
| 14        | 93845531 | AIR ADJ. SET                                       |                | 28.00  |
| 14-1      | 93625370 | PLUG (W200 S)                                      |                | 19.00  |
| 15        | 93667360 | TRIGGER STUD                                       |                | 5.00   |
| 16        | 93517600 | TRIGGER  |                | 14.00  |
| 17        | 93912030 | E STOPPER  | (2 pcs./1 pk.) | 4.00   |

### ACCESSORIES

| Ref. | Code     | Description   | \$    |
|------|----------|---|-------|
|      | 93708240 | AIR CAP PACKING (WHITE)                                 | 5.00  |
|      | 93512600 | AIR CAP "L" PACKING (BLACK)                             | 6.00  |
|      | 5650     | REPAIR SERVICE KIT<br>(Includes: 4, 7-1, 9, 11, 15, 17) | 58.00 |



# NON-HVLP CONVENTIONAL SIPHON SPRAY GUNS



## W-200-S | W-2003



**W-200-S with  
PCL 10 B3 Cup**



**W-2003 with  
PC 19B Cup**

See page 52  
for cup options  
(sold separately)

| TECHNICAL      |     |    |              |     |      |         |     |  |
|----------------|-----|----|--------------|-----|------|---------|-----|--|
| <b>W-200-S</b> |     |    |              |     |      |         |     |  |
| W-200-151S     | 1.5 | K1 | 3.0/<br>43.6 | 240 | 7.1  | 210     |     |  |
| W-200-152S     | 1.5 | K2 |              |     | 11.7 | 290     |     |  |
| W-200-182S     | 1.8 |    |              |     | 11.7 | 340     |     |  |
| W-200-201S     | 2.0 | R1 |              |     | 350  | 9.2     | 260 |  |
| W-200-202S     | 2.0 | R2 |              |     |      | 12.7    | 290 |  |
| W-200-251S     | 2.5 | W1 |              |     | 760  | 17.7    | 370 |  |
| <b>W-2003</b>  |     |    |              |     |      |         |     |  |
| W-2003         | 2.0 | R1 | 2.9/42       | 500 | 27   | 300:400 |     |  |

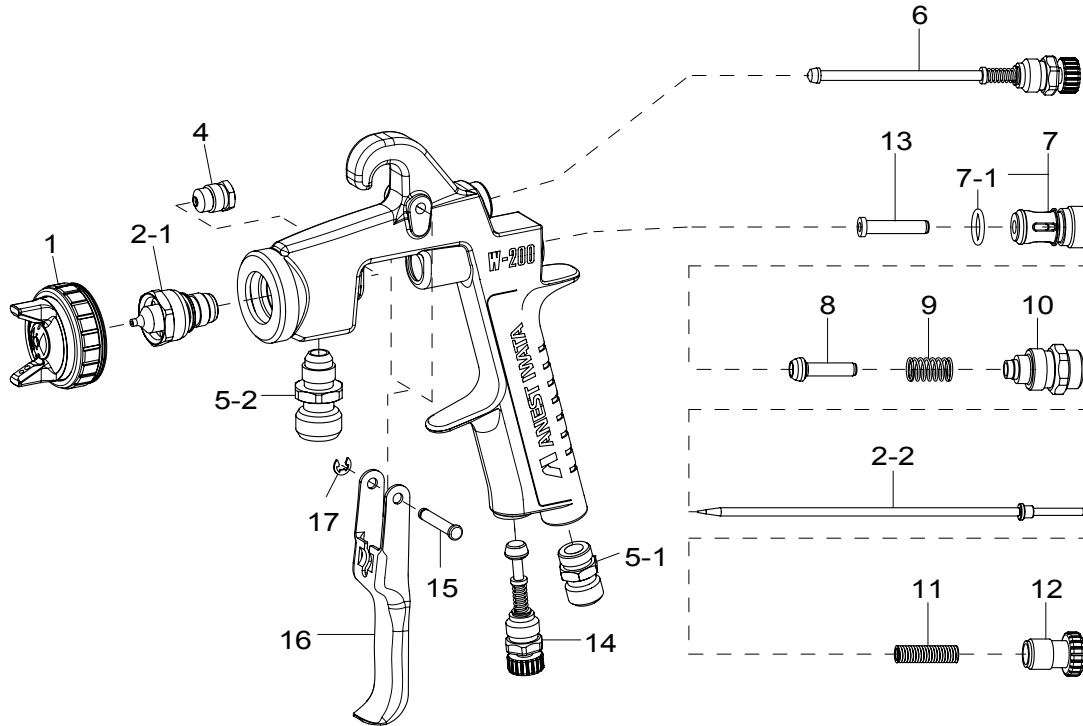
Air Nipple: G1/4" • W-200-S Fluid Nipple: G3/8" • W-2003 Fluid Nipple: M16x1

| ORDER Information - W-200-S Siphon  |                |                |          |                |                |                |        |
|-------------------------------------|----------------|----------------|----------|----------------|----------------|----------------|--------|
|                                     | ø 1.5 (K1)     | ø 1.5 (K2)     | ø 1.8    | ø 2.0 (R1)     | ø 2.0 (R2)     | ø 2.5          | \$     |
| SIPHON SPRAY GUN W-200-S            | 4605           | 4615           | 4625     | 4630           | 4640           | 4650           | 405.00 |
| SIPHON SPRAY GUN + PCL10B3 - 1000ML | -              | 4617           | 4627     | 4632           | 4642           | 4652           | 470.00 |
| SIPHON SPRAY GUN + PC7B3 - 700ML    | -              | 4616           | 4626     | 4631           | 4641           | 4651           | 470.00 |
| NOZZLE + NEEDLE SET                 | 93822610       | 93822610       | 93821610 | 93820610       | 93820610       | 93819610       | 99.00  |
| AIR CAP SET                         | K1<br>93817611 | K2<br>93816611 |          | R1<br>93815611 | R2<br>93814611 | W1<br>93813611 | 101.00 |

| ORDER Information - W-2003 Siphon for high viscosity paint |                |        |
|--|----------------|--------|
|  | ø 2.0          | \$     |
| SIPHON SPRAY GUN W-2003                                    | 4670           | 447.00 |
| SIPHON SPRAY GUN + PC 19B- 1000ML                          | 4675           | 581.00 |
| NOZZLE + NEEDLE SET  | 93820610       | 99.00  |
| AIR CAP SET  | R1<br>93815611 | 101.00 |







### SPARE PARTS

| Ref.      | Code         | Description                       | Qty.          | \$     |
|-----------|--------------|-----------------------------------|---------------|--------|
| 1         |              | AIR CAP SET                       |               | P. 32  |
| 2-1 + 2-2 |              | NOZZLE + NEEDLE SET               |               | P. 32  |
| 2-2       | 93507700     | SPECIAL NEEDLE with TIP in Delrin | ø 0.8/1.0/1.2 | 173.00 |
|           | 9W-200-X17-1 | NEEDLE TIP in Delrin              | ø 0.8/1.0/1.2 | 76.00  |
| 4         | 93765610     | NEEDLE PACKING CARTRIDGE          |               | 36.00  |
| 5-1       | 93660300     | AIR NIPPLE                        |               | 8.00   |
| 5-2       | 93515600     | FLUID NIPPLE                      |               | 17.00  |
| 6         | 93840601     | PATTERN ADJ. SET                  |               | 32.00  |
| 7         | 93843530     | AIR VALVE SEAT                    |               | 20.00  |
| 7-1       | 96638008     | O RING                            |               | 4.00   |
| 8         | 93591530     | AIR VALVE                         |               | 14.00  |
| 9         | 93719530     | AIR VALVE SPRING                  |               | 8.00   |
| 10        | 93844532     | FLUID ADJ. GUIDE SET              |               | 28.00  |
| 11        | 93593530     | FLUID NEEDLE SPRING               |               | 8.00   |
| 12        | 93594532     | FLUID ADJ. KNOB                   |               | 11.00  |
| 13        | 93935430     | AIR VALVE SHAFT                   |               | 11.00  |
| 14        | 93845531     | AIR ADJ. SET                      |               | 28.00  |
| 14-1      | 93625370     | PLUG (W200 S)                     |               | 19.00  |
| 15        | 93667360     | TRIGGER STUD                      |               | 5.00   |
| 16        | 93517600     | TRIGGER                           |               | 14.00  |
| 17        | 93912030     | E STOPPER                         | 2 pcs./1 pk.  | 4.00   |

### ACCESSORIES

| Ref. | Code     | Description   | \$     |
|------|----------|---|--------|
|      | 93708240 | AIR CAP PACKING (WHITE)                                 | 5.00   |
|      | 93512600 | AIR CAP "L" PACKING (BLACK)                             | 6.00   |
|      | 5650     | REPAIR SERVICE KIT<br>(includes: 4, 7-1, 9, 11, 15, 17) | 58.00  |
|      | 6017     | PCL 10 B3 SUCTION CONTAINER 1lt.                        | 67.00  |
|      | 6035     | PC 19B PRESSURE CONTAINER 1lt.                          | 134.00 |



# NON-HVLP CONVENTIONAL GRAVITY SPRAY GUNS



## W-200



| TECHNICAL  | Ø mm         | No. | bar/psi  | m <sup>3</sup> /min | CFM  | mm  |
|------------|--------------|-----|----------|---------------------|------|-----|
|            | <b>W-200</b> |     |          |                     |      |     |
| W-200-151G | 1.5          | K1  | 3.0/43.6 | 270                 | 7.1  | 220 |
| W-200-152G | 1.5          | K2  |          |                     | 11.7 | 320 |
| W-200-201G | 2.0          | R1  |          | 410                 | 9.2  | 280 |
| W-200-202G | 2.0          | R2  |          |                     | 12.7 | 320 |
| W-200-251G | 2.5          | W1  |          | 510                 | 12.7 | 310 |

• Air Nipple: G1/4" • Fluid Nipple: G3/8" Fluid nipple: M16x1 (W2003)

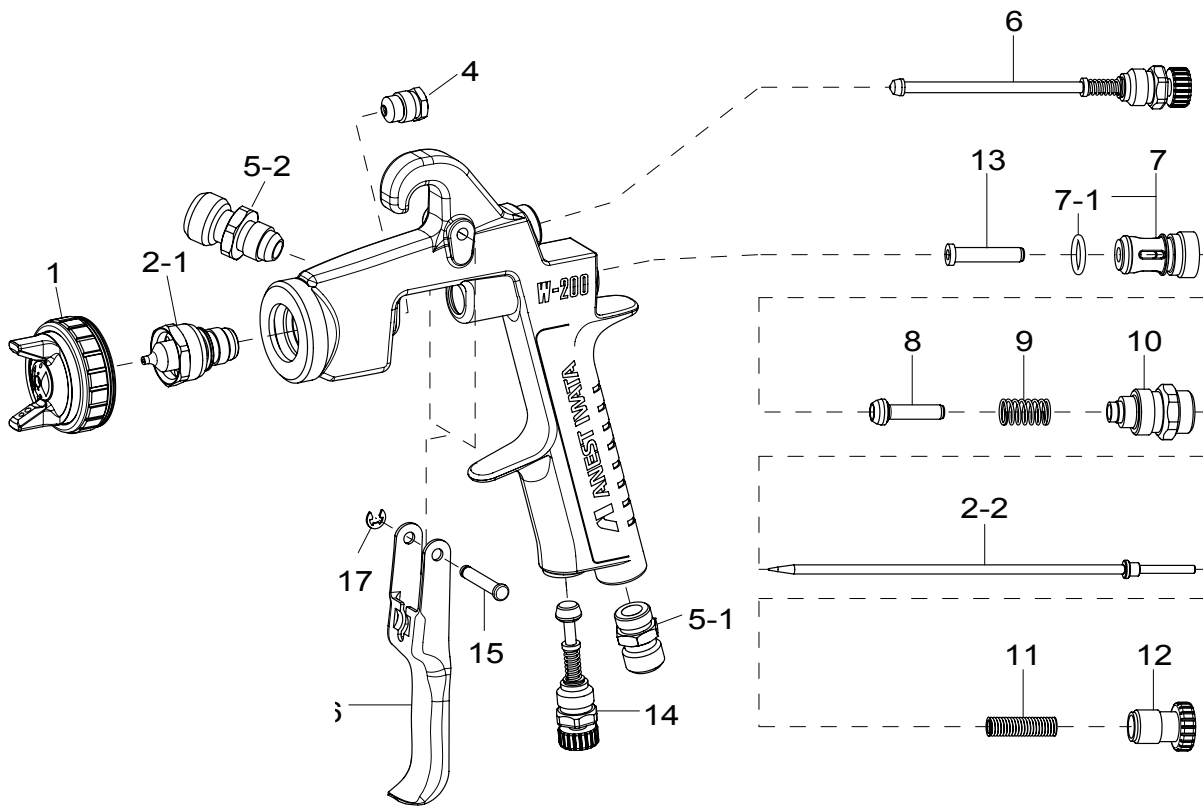
**W-200  
with PC4**

See page 52  
for cup options  
(sold separately)

### ORDER Information - W-200 Gravity

|                                    | ø 1.5 (K1)            | ø 1.5 (K2)            | ø 2.0 (R1)            | ø 2.0 (R2)            | ø 2.5                 | \$            |
|------------------------------------|-----------------------|-----------------------|-----------------------|-----------------------|-----------------------|---------------|
| GRAVITY SPRAY GUN W-200            | 4610                  | 4620                  | 4635                  | 4645                  | 4655                  | <b>405.00</b> |
| GRAVITY SPRAY GUN + PC4 - 400ML    | 4613                  | 4622                  | 4638                  | 4648                  | 4658                  | <b>459.00</b> |
| GRAVITY SPRAY GUN + PCG6P3 - 600ML | 4612                  | 4621                  | 4637                  | 4647                  | 4657                  | <b>498.00</b> |
| NOZZLE + NEEDLE SET                | 93822610              |                       | 93820610              |                       | 93819610              | <b>99.00</b>  |
| AIR CAP SET                        | <b>K1</b><br>93817611 | <b>K2</b><br>93816611 | <b>R1</b><br>93815611 | <b>R2</b><br>93814611 | <b>W1</b><br>93813611 | <b>101.00</b> |





### SPARE PARTS

| Ref.      | Code         | Description                       | Qty.           | \$     |
|-----------|--------------|-----------------------------------|----------------|--------|
| 1         |              | AIR CAP SET                       |                | P. 34  |
| 2-1 + 2-2 |              | NOZZLE + NEEDLE SET               |                | P. 34  |
| 2-2       | 93507700     | SPECIAL NEEDLE with TIP in Delrin | ø 0.8/1.0/1.2  | 173.00 |
|           | 9W-200-X17-1 | NEEDLE TIP in Delrin              | ø 0.8/1.0/1.2  | 76.00  |
| 4         | 93765610     | NEEDLE PACKING CARTRIDGE          |                | 36.00  |
| 5-1       | 93660300     | AIR NIPPLE                        |                | 8.00   |
| 5-2       | 93515600     | FLUID NIPPLE                      |                | 17.00  |
| 6         | 93840601     | PATTERN ADJ. SET                  |                | 32.00  |
| 7         | 93843530     | AIR VALVE SEAT                    |                | 20.00  |
| 7-1       | 96638008     | O RING                            |                | 4.00   |
| 8         | 93591530     | AIR VALVE                         |                | 14.00  |
| 9         | 93719530     | AIR VALVE SPRING                  |                | 8.00   |
| 10        | 93844532     | FLUID ADJ. GUIDE SET              |                | 28.00  |
| 11        | 93593530     | FLUID NEEDLE SPRING               |                | 8.00   |
| 12        | 93594532     | FLUID ADJ. KNOB                   |                | 11.00  |
| 13        | 93935430     | AIR VALVE SHAFT                   |                | 11.00  |
| 14        | 93845531     | AIR ADJ. SET                      |                | 28.00  |
| 14-1      | 93625370     | PLUG (W200 S)                     |                | 19.00  |
| 15        | 93667360     | TRIGGER STUD                      |                | 5.00   |
| 16        | 93517600     | TRIGGER                           |                | 14.00  |
| 17        | 93912030     | E STOPPER                         | (2 pcs./1 pk.) | 4.00   |

### ACCESSORIES

| Ref. | Code     | Description   | \$    |
|------|----------|---|-------|
|      | 93708240 | AIR CAP PACKING (WHITE)                                 | 5.00  |
|      | 93512600 | AIR CAP "L" PACKING (BLACK)                             | 6.00  |
|      | 5650     | REPAIR SERVICE KIT<br>(includes: 4, 7-1, 9, 11, 15, 17) | 58.00 |



# NON-HVLP CONVENTIONAL PRESSURE | SIPHON | GRAVITY SPRAY GUNS



## W-101-P | W-101-S | W-101-G



**W-101-P**

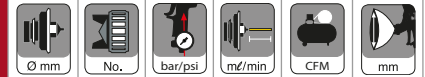


**W-101-S with  
PCL 10B2**



**W-101-G with  
PC5 Cup**

### TECHNICAL



| W-101-P    |     |     |              |              |     |     |     |  |
|------------|-----|-----|--------------|--------------|-----|-----|-----|--|
| W-101-082P | 0.8 | E2P | 3.0/<br>43.5 | 150          | 9.5 | 190 |     |  |
| W-101-102P | 1.0 |     |              | 200          | 9.5 | 220 |     |  |
| W-101-132P | 1.3 |     |              | 2.5/<br>36.3 | 200 | 7.8 | 210 |  |
| W-101-152P | 1.5 |     |              |              | 250 | 7.8 | 240 |  |
| W-101-S    |     |     |              |              |     |     |     |  |
| W-101-101S | 1.0 | E1  | 2.5/<br>36.3 | 85           | 2.6 | 120 |     |  |
| W-101-131S | 1.3 | K1  |              | 150          | 5.1 | 155 |     |  |
| W-101-132S | 1.3 | H2  |              |              | 7.9 | 160 |     |  |
| W-101-151S | 1.5 | K1  |              | 200          | 5.1 | 170 |     |  |
| W-101-152S | 1.5 | H2  |              | 170          | 7.9 | 175 |     |  |
| W-101-181S | 1.8 | N1  |              | 210          | 6   | 170 |     |  |
| W-101-G    |     |     |              |              |     |     |     |  |
| W-101-101G | 1.0 | E1  | 2.5/<br>36.3 | 95           | 2.6 | 130 |     |  |
| W-101-131G | 1.3 | K1  |              | 160          | 5.1 | 170 |     |  |
| W-101-132G | 1.3 | H2  |              |              | 7.9 | 175 |     |  |
| W-101-151G | 1.5 | K1  |              | 200          | 5.1 | 180 |     |  |
| W-101-152G | 1.5 | H2  |              | 190          | 7.9 |     |     |  |
| W-101-181G | 1.8 | N1  |              | 240          | 6   | 190 |     |  |

Air Nipple: G1/4" • Fluid Nipple: G1/4"

See page 52  
for cup options  
(sold separately)

### ORDER Information - W-101-P Pressure

|                            | ø 0.8           | ø 1.0    | ø 1.3    | ø 1.5    | \$     |
|----------------------------|-----------------|----------|----------|----------|--------|
| PRESSURE SPRAY GUN W-101-P | 4400B           | 4403B    | 4405B    | 4407B    | 294.00 |
| NOZZLE + NEEDLE SET        | 93706610        | 93691610 | 93666610 | 93698610 | 86.00  |
| AIR CAP SET                | E2P<br>93704610 |          |          |          | 93.00  |

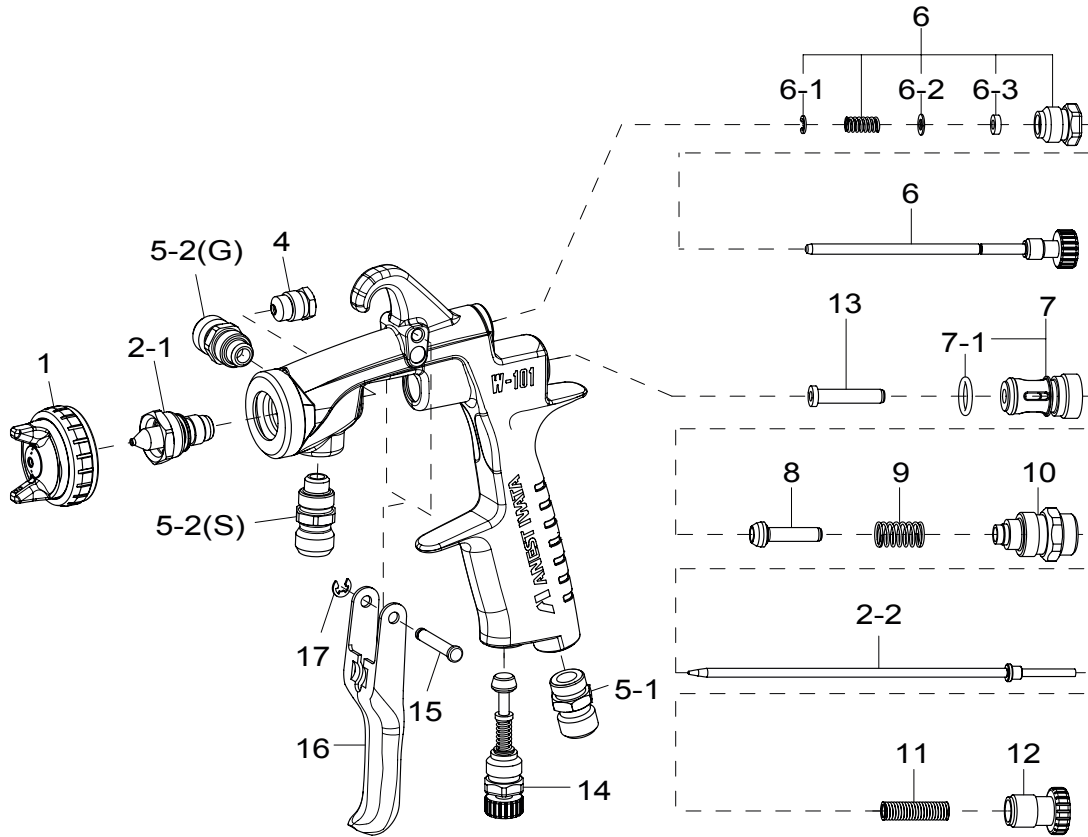
### ORDER Information - W-101-S Siphon

|                                      | ø 1.0          | ø 1.3 (K1)     | ø 1.5 (K1) | ø 1.3(H2)      | ø 1.5(H2) | ø 1.3(H4)      | ø 1.8          | \$     |
|--------------------------------------|----------------|----------------|------------|----------------|-----------|----------------|----------------|--------|
| SIPHON SPRAY GUN W-101-S             | 4420B          | 4425B          | 4435B      | 4430B          | 4440B     | 4580B          | 4445B          | 294.00 |
| SIPHON SPRAY GUN + PCL 7B2 - 700ML   | 4421B          | -              | -          | 4431B          | 4441B     | 4581B          | 4446B          | 360.00 |
| SIPHON SPRAY GUN + PCL 10B2 - 1000ML | 4422B          | -              | -          | 4432B          | 4442B     | 4582B          | 4447B          | 360.00 |
| NOZZLE + NEEDLE SET                  | 93691610       | 93667610       | 93698610   | 93667610       | 93698610  | 93667610       | 93703610       | 86.00  |
| AIR CAP SET                          | E1<br>93689610 | K1<br>93735610 |            | H2<br>93696610 |           | H4<br>93662610 | N1<br>93700610 | 82.00  |

### ORDER Information - W-101-G Gravity (side feed)

|                                   | ø 1.0          | ø 1.3 (K1)     | ø 1.5 (K1) | ø 1.3(H2)      | ø 1.5(H2) | ø 1.3(H4)      | ø 1.8          | \$     |
|-----------------------------------|----------------|----------------|------------|----------------|-----------|----------------|----------------|--------|
| GRAVITY SPRAY GUN W-101-G         | 4450B          | 4455B          | 4565B      | 4560B          | 4570B     | 4585B          | 4575B          | 294.00 |
| GRAVITY SPRAY GUN + PC 4S - 400ML | 4451B          | 4456B          | 4566B      | 4561B          | 4571B     | 4586B          | 4576B          | 360.00 |
| GRAVITY SPRAY GUN + PC5 - 200ML   | 4452B          | 4457B          | 4567B      | 4562B          | 4572B     | 4587B          | 4577B          | 360.00 |
| NOZZLE + NEEDLE SET               | 93691610       | 93667610       | 93698610   | 93667610       | 93698610  | 93667610       | 93703610       | 86.00  |
| AIR CAP SET                       | E1<br>93689610 | K1<br>93735610 |            | H2<br>93696610 |           | H4<br>93662610 | N1<br>93700610 | 82.00  |





### SPARE PARTS

| Ref. | Code         | Description                       |                | \$     |
|------|--------------|-----------------------------------|----------------|--------|
| 1    |              | AIR CAP SET                       |                | P. 36  |
| 2    |              | NOZZLE + NEEDLE SET               |                | P. 36  |
| 2-2  | 93504700     | SPECIAL NEEDLE with TIP in Delrin | ∅ 0.8/1.0      | 173.00 |
|      | 9W-200-X17-1 | NEEDLE TIP in Delrin              | ∅ 0.8/1.0/1.2  | 76.00  |
| 4    | 93765610     | NEEDLE PACKING CARTRIDGE          |                | 36.00  |
| 5-1  | 93660300     | AIR NIPPLE                        |                | 8.00   |
| 5-2  | 93584530     | FLUID NIPPLE G 1/4" - 1/4"        | gravity/siphon | 16.00  |
| 5-2  | 93515600     | FLUID NIPPLE P 1/4" - 3/8"        | pressure       | 17.00  |
| 6    | 93842531     | PATTERN ADJUSTMENT SET            |                | 29.00  |
| 7    | 93843530     | AIR VALVE SEAT SET                |                | 20.00  |
| 7-1  | 96638008     | O RING                            |                | 4.00   |
| 8    | 93591530     | AIR VALVE                         |                | 14.00  |
| 9    | 93719530     | AIR VALVE SPRING                  |                | 8.00   |
| 10   | 93844532     | FLUID ADJUSTMENT GUIDE            |                | 28.00  |
| 11   | 93593530     | FLUID NEEDLE SPRING               |                | 8.00   |
| 12   | 93594532     | FLUID ADJUSTMENT KNOB             |                | 11.00  |
| 13   | 93935430     | AIR VALVE SHAFT                   |                | 11.00  |
| 14   | 93845531     | AIR ADJ. SET                      |                | 28.00  |
| 15   | 93667360     | TRIGGER STUD                      |                | 5.00   |
| 16   | 93597530     | TRIGGER                           |                | 12.00  |
| 17   | 93912030     | E STOPPER                         | 2 pcs./1 pk.   | 4.00   |

### ACCESSORIES

| Ref. | Code     | Description   | \$    |
|------|----------|---|-------|
|      | 6008     | PC 4S SIDE GRAVITY CUP 400 ml                           | 57.00 |
|      | 6019     | PCL 7B 2 SIPHON CONTAINER 700 ml                        | 67.00 |
|      | 93576530 | AIR CAP "L" PACKING (BLACK)                             | 5.00  |
|      | 93708320 | AIR CAP GASKET (WHITE)                                  | 5.00  |
|      | 5650     | REPAIR SERVICE KIT<br>(includes: 4, 7-1, 9, 11, 15, 17) | 58.00 |



# NON-HVLP CONVENTIONAL PRESSURE | SIPHON | GRAVITY SPRAY GUNS



## W-77-P | W-77-S | W-77-G



**W-77-P**



**W-77-S with  
PCL 10B 3 Cup**



**W-77-G with  
PC 4S Cup**

| TECHNICAL       | Ø mm |    | No.    |     | bar/psi |      | m <sup>3</sup> /min |  | CFM  |      | mm  |  |  |  |  |
|-----------------|------|----|--------|-----|---------|------|---------------------|--|------|------|-----|--|--|--|--|
|                 |      |    |        |     |         |      |                     |  |      |      |     |  |  |  |  |
| <b>W-77-P</b>   |      |    |        |     |         |      |                     |  |      |      |     |  |  |  |  |
| W-77-0          | 1.2  | 0  | 3.4/50 | 480 | 15.2    | 445  |                     |  |      |      |     |  |  |  |  |
| W-77-02         | 1.2  | 02 |        |     |         |      |                     |  | 14.8 | 399  |     |  |  |  |  |
| W-77-03         | 1.4  | 03 |        |     |         |      |                     |  | 15.2 | 445  |     |  |  |  |  |
| W-77-0N (SST)   | 1.2  | 0  |        |     |         |      |                     |  |      |      |     |  |  |  |  |
| W-77-03N (SST)  | 1.4  | 03 |        |     |         |      |                     |  |      |      |     |  |  |  |  |
| <b>W-77-S</b>   |      |    |        |     |         |      |                     |  |      |      |     |  |  |  |  |
| W-77-11S        | 1.4  | 11 | 3.4/50 | 255 | 10.2    | 267  |                     |  |      |      |     |  |  |  |  |
| W-77-2S         | 1.8  | 2  |        |     |         |      |                     |  | 345  | 8.8  | 254 |  |  |  |  |
| W-77-21S        | 1.8  | 21 |        |     |         |      |                     |  | 350  | 12.2 | 280 |  |  |  |  |
| W-77-3S         | 2.5  | 3  |        |     |         |      |                     |  | 435  | 11.5 |     |  |  |  |  |
| W-77-11SN (SST) | 1.4  | 11 |        |     |         |      |                     |  | 255  | 10.2 | 267 |  |  |  |  |
| W-77-2SN (SST)  | 1.8  | 2  |        |     |         |      |                     |  | 345  | 8.8  | 254 |  |  |  |  |
| W-77-3SN (SST)  | 2.5  | 3  |        |     | 435     | 11.5 | 280                 |  |      |      |     |  |  |  |  |
| <b>W-77-G</b>   |      |    |        |     |         |      |                     |  |      |      |     |  |  |  |  |
| W-77-11G        | 1.4  | 11 | 3.4/50 | 285 | 10.2    | 290  |                     |  |      |      |     |  |  |  |  |
| W-77-21G        | 1.8  | 21 |        |     |         |      |                     |  | 390  | 12.2 | 330 |  |  |  |  |
| W-77-3G         | 2.5  | 3  |        |     |         |      |                     |  | 485  | 11.5 |     |  |  |  |  |

Air Nipple: G1/4" • Fluid Nipple: G3/8"

See page 52  
for cup options  
(sold separately)

### ORDER Information - W-77-P Pressure

|                                       | Ø 1.2 (0) | Ø 1.2 (02) | Ø 1.4    | \$     |
|---------------------------------------|-----------|------------|----------|--------|
| PRESSURE SPRAY GUN W-77-P             | 3060      | 3063       | 3065     | 232.00 |
| NOZZLE + NEEDLE SET                   | 93938900  | 93938900   | 93910900 | 86.00  |
| PRESSURE SPRAY GUN + STAINLESS NOZZLE | 3100      | -          | 3103     | 254.00 |
| NOZZLE + NEEDLE SET - STAINLESS       | 93914900  | 93914900   | 93915900 | 96.00  |
| AIR CAP SET                           | 93901911  | 93903911   | 93903901 | 105.00 |

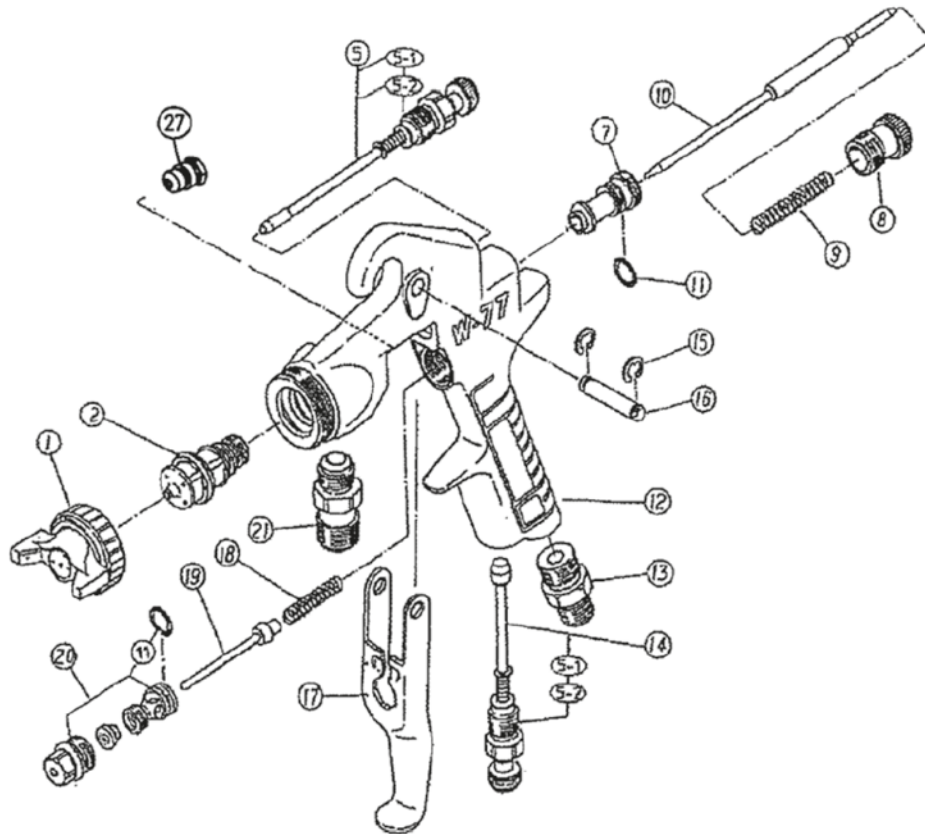
### ORDER Information - W-77-S Siphon

|                                     | Ø 1.4    | Ø 1.8 (2) | Ø 1.8 (21) | Ø 2.5    | \$     |
|-------------------------------------|----------|-----------|------------|----------|--------|
| SIPHON SPRAY GUN W-77-S             | 3070     | 3080      | 3081       | 3090     | 232.00 |
| NOZZLE + NEEDLE SET                 | 93997000 | 93997010  |            | 93997020 | 86.00  |
| SIPHON SPRAY GUN + STAINLESS NOZZLE | 3105     | 3115      | -          | 3120     | 254.00 |
| NOZZLE + NEEDLE SET - STAINLESS     | 93997030 | 93997040  | -          | 93997050 | 96.00  |
| AIR CAP SET                         | 93902911 | 93901901  | 93902901   | 93900911 | 104.00 |

### ORDER Information - W-77-G Gravity (side feed)

|                          | Ø 1.4    | Ø 1.8    | Ø 2.5    | \$     |
|--------------------------|----------|----------|----------|--------|
| GRAVITY SPRAY GUN W-77-G | 3075     | 3085     | 3095     | 232.00 |
| NOZZLE + NEEDLE SET      | 93997000 | 93997010 | 93997020 | 86.00  |
| AIR CAP SET              | 93902911 | 93902901 | 93900911 | 104.00 |





**SPARE PARTS**

| Ref.   | Code     | Description                  |                 | \$    |
|--------|----------|------------------------------|-----------------|-------|
| 1      |          | AIR CAP SET                  |                 | P. 38 |
| 2 + 10 |          | NOZZLE + NEEDLE SET          |                 | P. 38 |
| 5      | 93909900 | PATTERN ADJUSTMENT SET       |                 | 27.00 |
| 5-1    |          | O RING                       | SUPPLIED AS 501 |       |
| 5-2    | 96610023 | STOPPER                      |                 | 4.00  |
| 7      | 93064901 | FLUID NEEDLE GUIDE           | W-77/W-77-N     | 9.00  |
| 8      | 93102081 | FLUID ADJUSTMENT KNOB        | W-77/W-77-N     | 9.00  |
| 9      | 93069081 | FLUID NEEDLE SPRING          | W-77/W-77-N     | 4.00  |
| 11     |          | O RING                       | SUPPLIED AS 501 |       |
| 13     | 93160002 | AIR NIPPLE                   | W-77/W-77-N     | 17.00 |
| 14     | 93907900 | AIR ADJUSTMENT SET           | W-77/W-77-N     | 30.00 |
| 15     | 93842240 | STOP RING                    |                 | 4.00  |
| 16     | 93167041 | TRIGGER STUD                 |                 | 5.00  |
| 17     | 93162900 | TRIGGER                      |                 | 11.00 |
| 18     | 93088050 | AIR VALVE SPRING             |                 | 5.00  |
| 12.19  | 93081900 | AIR VALVE                    |                 | 12.00 |
| 20     | 93930900 | AIR VALVE SEAT SET           |                 | 32.00 |
| 21     | 93161912 | FLUID NIPPLE GRAVITY         | W-77            | 17.00 |
| 21     | 93018900 | FLUID NIPPLE SIPHON/PRESSURE | W-77            | 29.00 |
| 21     | 93913910 | FUID NIPPLE                  |                 | 27.00 |
| 21     | 93914910 | FLUID NIPPLE                 |                 | 44.00 |
| 501    | 93906100 | O RING SET                   | 5-1, 11         | 6.00  |
| 22     | 93280901 | GUN WRENCH                   |                 | 20.00 |
| 27     | 93545660 | NEEDLE PACKING SET           |                 | 26.00 |

**ACCESSORIES**

| Ref. | Code  | Description   | \$    |
|------|-------|---|-------|
|      | 3129B | REPAIR SERVICE KIT FOR W77/77N (includes: 7, 9, 11, 18, 19, 27) | 48.00 |



# NON-HVLP CONVENTIONAL PRESSURE | SIPHON | GRAVITY SPRAY GUNS



W-71-P | W-71-S | W-71-G



## TECHNICAL



| W-71-P          |     |    |        |     |     |     |
|-----------------|-----|----|--------|-----|-----|-----|
| W-71-0          | 0.8 | 0  | 3.4/50 | 200 | 8.5 | 190 |
| W-71-0N (SST)   |     | 02 |        |     |     |     |
| W-71-02         | 1.0 | 02 |        | 300 | 8.1 | 264 |
| W-71-02N (SST)  |     |    |        |     |     |     |
| W-71-S          |     |    |        |     |     |     |
| W-71-2S         | 1.3 | 2  | 3/43   | 135 | 3.0 | 135 |
| W-71-2SN (SST)  |     |    |        | 180 |     |     |
| W-71-3S         | 1.5 | 31 |        | 170 | 8.1 | 170 |
| W-71-31S (SST)  |     |    |        |     |     |     |
| W-71-G          |     |    |        |     |     |     |
| W-71-21G        | 1.3 | 21 | 3/43   | 160 | 6.9 | 165 |
| W-71-21GN (SST) |     |    |        | 190 |     |     |
| W-71-31G        | 1.5 | 31 |        | 185 | 8.1 | 185 |
| W-71-31GN (SST) |     |    |        |     |     |     |

Air Nipple: G1/4" • Fluid Nipple: G3/8"

See page 52  
for cup options  
(sold separately)

### ORDER Information - W-71-P Pressure

|                                       | ø 0.8    | ø 1.0    | \$     |
|---------------------------------------|----------|----------|--------|
| PRESSURE SPRAY GUN W-71-P             | 3000     | 3005     | 208.00 |
| NOZZLE + NEEDLE SET                   | 93938081 | 93938091 | 80.00  |
| PRESSURE SPRAY GUN + STAINLESS NOZZLE | 3030     | 3035     | 244.00 |
| NOZZLE + NEEDLE SET - STAINLESS       | 93903080 | 93903090 | 89.00  |
| AIR CAP SET                           | 93900020 | 93900110 | 89.00  |

### ORDER Information - W-71-S Siphon

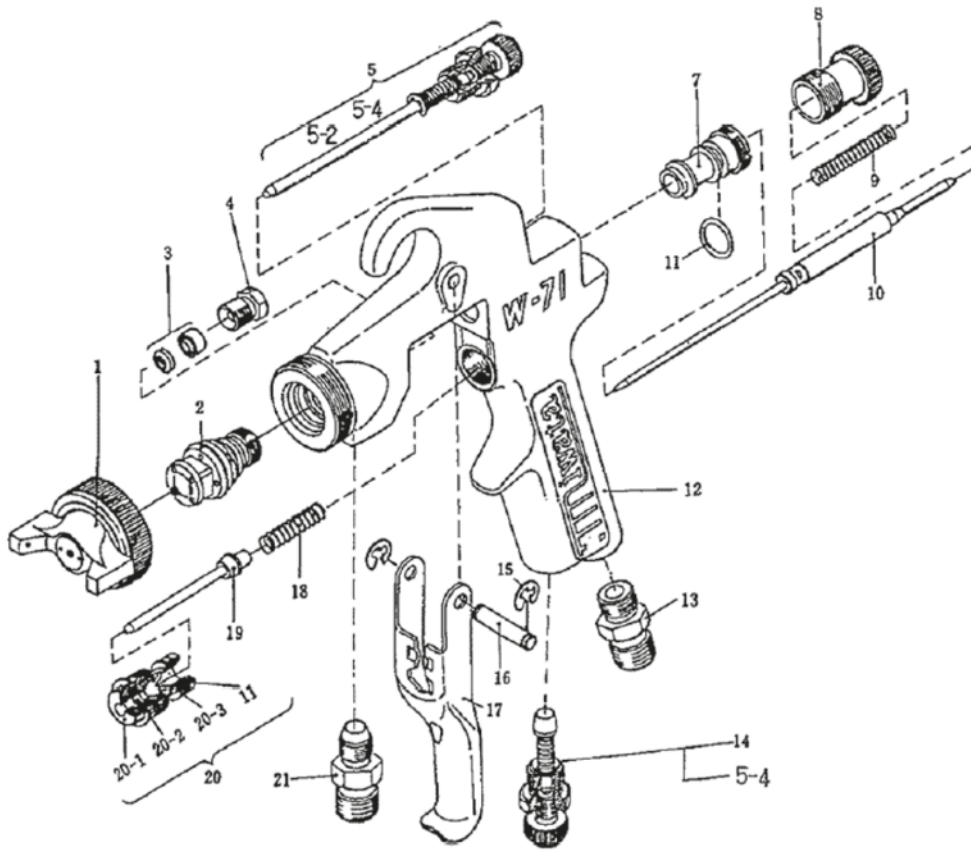
|                                     | ø 1.3    | ø 1.5    | \$     |
|-------------------------------------|----------|----------|--------|
| SIPHON SPRAY GUN W-71-S             | 3010     | 3020     | 208.00 |
| NOZZLE + NEEDLE SET                 | 93999920 | 93999930 | 80.00  |
| SIPHON SPRAY GUN + STAINLESS NOZZLE | 3040     | 3050     | 249.00 |
| NOZZLE + NEEDLE SET - STAINLESS     | 93999940 | 93999950 | 89.00  |
| AIR CAP SET                         | 93901020 | 93900100 | 84.00  |

### ORDER Information - W-71-G Gravity (side feed)

|                                      | ø 1.3    | ø 1.5    | \$     |
|--------------------------------------|----------|----------|--------|
| GRAVITY SPRAY GUN W-71-G             | 3015     | 3025     | 208.00 |
| NOZZLE + NEEDLE SET                  | 93999920 | 93999930 | 80.00  |
| GRAVITY SPRAY GUN + STAINLESS NOZZLE | 3045     | 3055     | 306.00 |
| NOZZLE + NEEDLE SET - STAINLESS      | 93999940 | 93999950 | 89.00  |
| AIR CAP SET                          | 93900090 | 93900100 | 89.00  |







**SPARE PARTS**

| Ref.   | Code     | Description               |                      | \$    |
|--------|----------|---------------------------|----------------------|-------|
| 1      |          | AIR CAP SET               |                      | P. 40 |
| 2 + 10 |          | NOZZLE + NEEDLE SET       |                      | P. 40 |
| 3      | 93906110 | FLUID NEEDLE PACKING SET  |                      | 14.00 |
| 4      | 93067082 | FLUID NEEDLE PACKING SEAT |                      | 5.00  |
| 5      | 93909080 | PATTERN ADJUSTMENT SET    |                      | 27.00 |
| 5-2    | 96610023 | STOPPER                   |                      | 4.00  |
| 5-4    |          | O RING                    | SUPPLIED AS REF. 501 |       |
| 7      | 93064082 | FLUID NEEDLE GUIDE        |                      | 11.00 |
| 8      | 93102081 | FLUID ADJUSTMENT KNOB     |                      | 9.00  |
| 9      | 93069081 | FLUID NEEDLE SPRING       |                      | 4.00  |
| 11     |          | O RING                    | SUPPLIED AS REF. 501 |       |
| 13     | 93010080 | AIR INLET NIPPLE          |                      | 9.00  |
| 14     | 93907081 | AIR ADJUSTMENT SET        |                      | 27.00 |
| 15     | 93912030 | STOPPER                   | PACK OF 2            | 4.00  |
| 16     | 93167080 | TRIGGER STUD              |                      | 5.00  |
| 17     | 93162080 | TRIGGER                   |                      | 10.00 |
| 18     | 93088082 | AIR VALVE SPRING          |                      | 3.00  |
| 19     | 93081081 | AIR VALVE                 |                      | 11.00 |
| 20     | 93930090 | AIR VALVE SEAT SET        |                      | 32.00 |
| 21     | 93161082 | FLUID NIPPLE              | W-71                 | 17.00 |
| 21     | 93002090 | FLUID NIPPLE              | W-71-N               | 20.00 |
| 501    | 93906100 | O RING SET                | 5-4, 11              | 6.00  |

**ACCESSORIES**

| Ref. | Code | Description  | \$    |
|------|------|--|-------|
|      | 3003 | REPAIR SERVICE KIT FOR W-71 (includes: 3, 9, 11, 18, 19) | 32.00 |



## LW-10B | LW-18B EXTENSION



LW Extension Spray Gun

### TECHNICAL



#### LW-10B PRESSURE

|             |     |    |            |     |     |     |
|-------------|-----|----|------------|-----|-----|-----|
| LW-10B-0015 | 1.0 | E1 | 2.9 / 42.7 | 150 | 3.2 | 175 |
| LW-10B-0030 |     |    |            |     |     |     |
| LW-10B-0050 |     |    |            |     |     |     |
| LW-10B-4515 |     |    |            |     |     |     |
| LW-10B-4530 |     |    |            |     |     |     |
| LW-10B-4550 |     |    |            |     |     |     |
| LW-10B-9015 |     |    |            |     |     |     |
| LW-10B-9030 |     |    |            |     |     |     |
| LW-10B-9050 |     |    |            |     |     |     |

#### LW-18B EXTENSION

|             |     |    |            |     |     |     |
|-------------|-----|----|------------|-----|-----|-----|
| LW-18B-0015 | 1.8 | N1 | 3.4 / 49.8 | 250 | 7.4 | 185 |
| LW-18B-0030 |     |    |            |     |     |     |
| LW-18B-0050 |     |    |            |     |     |     |
| LW-18B-4515 |     |    |            |     |     |     |
| LW-18B-4530 |     |    |            |     |     |     |
| LW-18B-4550 |     |    |            |     |     |     |
| LW-18B-9015 |     |    |            |     |     |     |
| LW-18B-9030 |     |    |            |     |     |     |
| LW-18B-9050 |     |    |            |     |     |     |

• Air Nipple: G1/4" • Fluid Nipple: G3/8"

### HOW TO READ MODEL NUMBERS

| MODEL EXAMPLE   |                             |                          |
|-----------------|-----------------------------|--------------------------|
| LW - 10B - 0015 |                             |                          |
| LW              | 10B                         | 0015                     |
| GUN MODEL       | NOZZLE SIZE (10 = 1.0MM)    | HEAD ANGLE (0 = 0°)      |
|                 | DESIGN VERSION (A, B, C...) | PIPE LENGTH (15 = 150MM) |

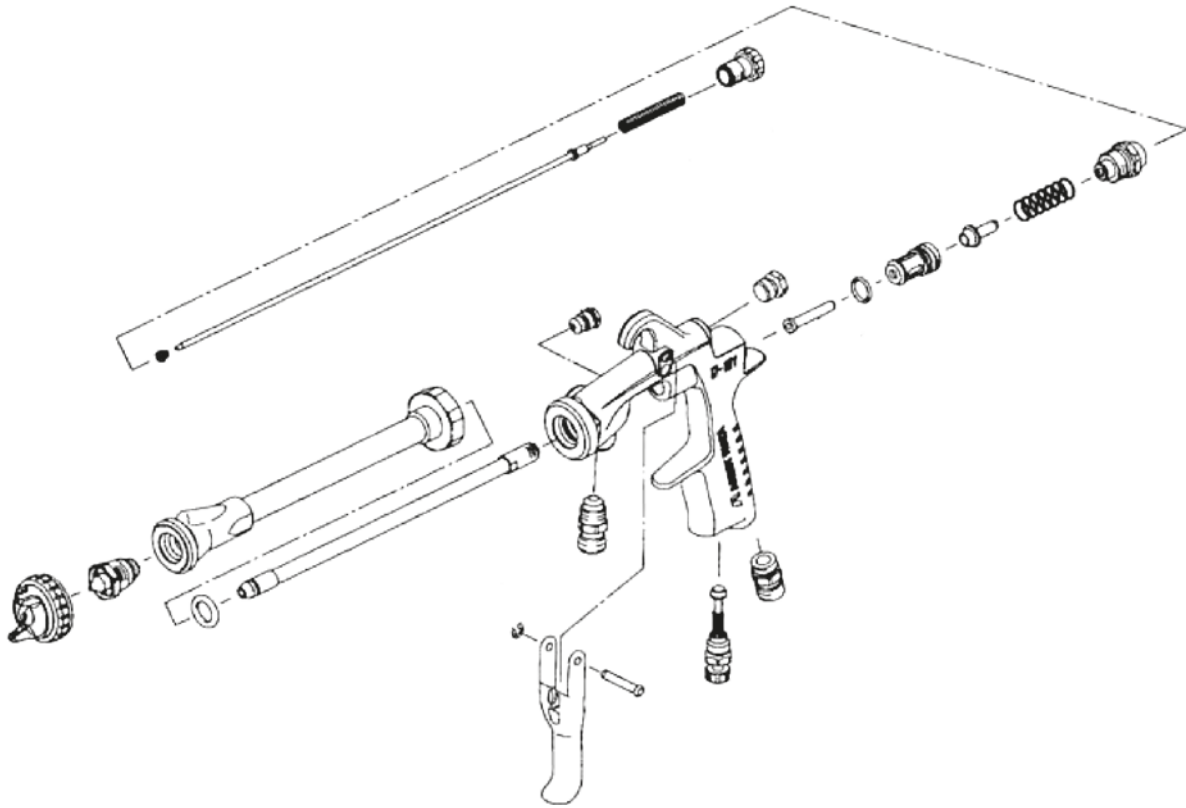
### ORDER Information - LW-10B

|             | Head Angle ° | Pipe Length mm/in | Code  | \$     |
|-------------|--------------|-------------------|-------|--------|
| LW-10B-0015 | 0            | 150 / 5.9         | 7133B | 793.00 |
| LW-10B-0030 |              | 300 / 11.8        | 7144B | 793.00 |
| LW-10B-0050 |              | 500 / 19.7        | 7136B | 793.00 |
| LW-10B-4515 | 45           | 150 / 5.9         | 7141B | 793.00 |
| LW-10B-4530 |              | 300 / 11.8        | 7139B | 793.00 |
| LW-10B-4550 |              | 500 / 19.7        | 7140B | 793.00 |
| LW-10B-9015 | 90           | 150 / 5.9         | 7142B | 793.00 |
| LW-10B-9030 |              | 300 / 11.8        | 7143B | 793.00 |
| LW-10B-9050 |              | 500 / 19.7        | 7138B | 793.00 |

### ORDER Information - LW-18B

|             | Head Angle ° | Pipe Length mm/in | Code  | \$     |
|-------------|--------------|-------------------|-------|--------|
| LW-18B-0015 | 0            | 150 / 5.9         | 7147B | 792.00 |
| LW-18B-0030 |              | 300 / 11.8        | 7148B | 792.00 |
| LW-18B-0050 |              | 500 / 19.7        | 7149B | 792.00 |
| LW-18B-4515 | 45           | 150 / 5.9         | 7151B | 792.00 |
| LW-18B-4530 |              | 300 / 11.8        | 7152B | 792.00 |
| LW-18B-4550 |              | 500 / 19.7        | 7137B | 793.00 |
| LW-18B-9015 | 90           | 150 / 5.9         | 7134B | 793.00 |
| LW-18B-9030 |              | 300 / 11.8        | 7146B | 793.00 |
| LW-18B-9050 |              | 500 / 19.7        | 7145B | 793.00 |





**SPARE PARTS**

| Code     | Description  | \$     |
|----------|--|--------|
| 93689610 | AIR CAP SET "E1"                                       | 82.00  |
| 93700610 | AIR CAP SET "N1"                                       | 82.00  |
| 93692610 | FLUID NOZZLE - LW-10B                                  | 53.00  |
| 93703610 | FLUID NOZZLE - LW-18B                                  | 53.00  |
| 93838610 | FLUID NEEDLE<br>(LW10/18-0015/4515/9015)               | 130.00 |
| 93834610 | FLUID NEEDLE<br>(LW10/18-0030/4530/9030)               | 130.00 |
| 93841610 | FLUID NEEDLE<br>(LW10/18-0050/4550/9050)               | 130.00 |
| 93596610 | LW10/18 FLUID NEEDLE GUIDE<br>(LW10/18-0050/4550/9050) | 15.00  |
| 93839610 | FLUID PIPE SET<br>(LW10/18-0015/4515/9015)             | 173.00 |
| 93835610 | FLUID PIPE SET<br>(LW10/18-0030/4530/9030)             | 173.00 |
| 93842610 | FLUID PIPE SET<br>(LW10/18-0050/4550/9050)             | 173.00 |
| 93844610 | LW10/18-0015 AIR PIPE SET                              | 385.00 |
| 93846610 | LW10/18-0030 AIR PIPE SET                              | 385.00 |
| 93847610 | LW10/18-0050 AIR PIPE SET                              | 385.00 |
| 93840610 | LW10/18-4515 AIR PIPE SET                              | 385.00 |

| Code     | Description                   | \$       |
|----------|-------------------------------|----------|
| 93836610 | LW10/18-4530 AIR PIPE SET     | 385.00   |
| 93843610 | LW10/18-4550 AIR PIPE SET     | 385.00   |
| 93848610 | LW10/18-9015 AIR PIPE SET     | 385.00   |
| 93850610 | LW10/18-9030 AIR PIPE SET     | 385.00   |
| 93851610 | LW10/18-9050 AIR PIPE SET     | 385.00   |
| 7110     | LW10 EXTENTION PIPE KIT 0015  | 687.00   |
| 7111     | LW10 EXTENTION PIPE KIT 0030  | 687.00   |
| 7112     | LW10 EXTENTION PIPE KIT 0050  | 701.00   |
| 7113     | LW10 EXTENTION PIPE KIT 4515  | 687.00   |
| 7114     | LW10 EXTENTION PIPE KIT 4530  | 687.00   |
| 7115     | LW10 EXTENTION PIPE KIT 4550  | 701.00   |
| 7119     | LW10 EXTENTION PIPE KIT 90100 | 1,238.00 |
| 7116     | LW10 EXTENTION PIPE KIT 9015  | 687.00   |
| 7117     | LW10 EXTENTION PIPE KIT 9030  | 687.00   |
| 7118     | LW10 EXTENTION PIPE KIT 9050  | 701.00   |
| 96638004 | O RING                        | 2.00     |
| 93625370 | PLUG                          | 19.00    |

*Spray Gun Spare Parts - P. 37*



## COG-200 | COG-101 ADHESIVE APPLICATION



**COG-200**

### FEATURES

- Designed to apply adhesive, this gun provides a wide spray pattern for high viscosity fluids
- High fluid volume provides uniform surface coating
- Reduces leaks from the nozzle tip and offers high repeatability
- Available in manual pressure, manual siphon, and automatic models
- Ideal for application of adhesives, car interior materials, woodworking, heat insulation, and more
- Both models incorporate identical engineering and performance. The difference is size. COG-200 is a standard gun body while COG-101 is a compact gun body

### TECHNICAL



| SIPHON      |     |         |        |     |      |     |
|-------------|-----|---------|--------|-----|------|-----|
| COG-200-18S | 1.8 | COG-200 | 2.9/42 | 110 | 13.2 | 270 |
| PRESSURE    |     |         |        |     |      |     |
| COG-200-12  | 1.2 | COG-200 | 2.9/42 | 150 | 13.2 | 265 |
| COG-200-18  | 1.8 |         |        | 250 |      | 390 |
| COG-101-08  | 0.8 | COG-101 |        | 150 | 13.8 | 210 |
| COG-101-12  | 1.2 |         |        |     |      |     |

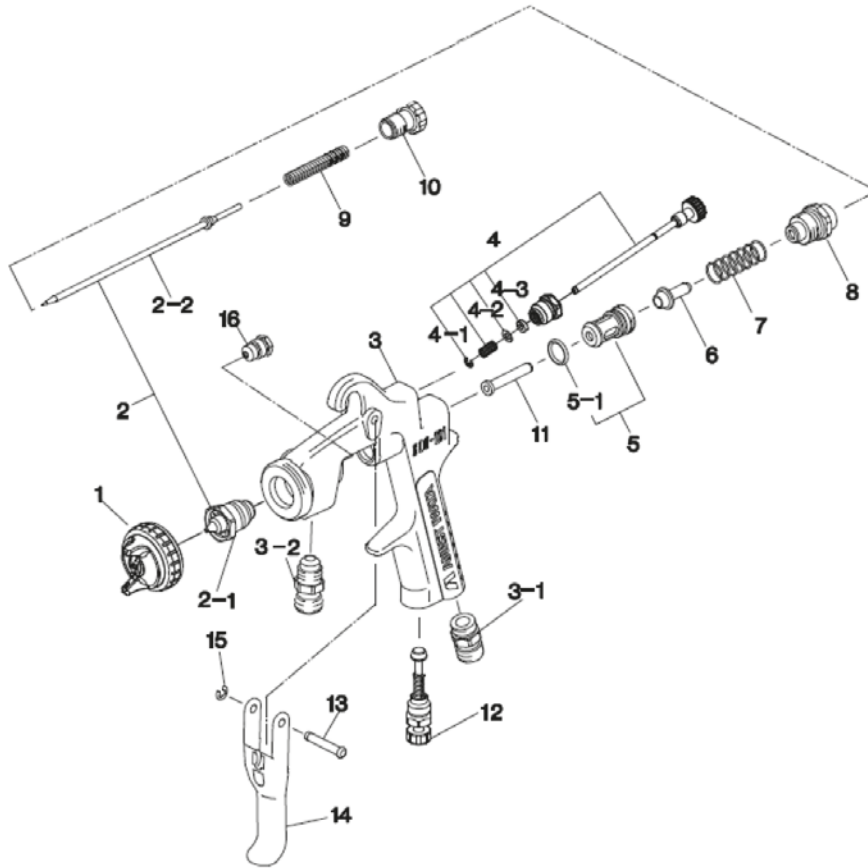
### ORDER Information - COG-200 Siphon & Pressure

|                                   | ø 1.2          | ø 1.8           | \$            |
|-----------------------------------|----------------|-----------------|---------------|
| <b>SIPHON SPRAY GUN COG-200</b>   | -              | 7606            | <b>690.00</b> |
| <b>PRESSURE SPRAY GUN COG-200</b> | 7600           | 7601            | <b>730.00</b> |
| <b>NOZZLE + NEEDLE SET</b>        | 9COG-200-12-20 | 9COG-200-18-20  | <b>263.00</b> |
| <b>AIR CAP SET - SIPHON</b>       | -              | 9COG-200-18S-10 | <b>130.00</b> |
| <b>AIR CAP SET - PRESSURE</b>     | 9COG-200-18-10 | 9COG-200-18-10  | <b>192.00</b> |

### ORDER Information - COG-101 Pressure

|                                   | ø 0.8          | ø 1.2          | \$            |
|-----------------------------------|----------------|----------------|---------------|
| <b>PRESSURE SPRAY GUN COG-101</b> | 7610           | 7611           | <b>390.00</b> |
| <b>NOZZLE + NEEDLE SET</b>        | 9COG-101-08-20 | 9COG-101-12-20 | <b>115.00</b> |
| <b>AIR CAP SET</b>                | 9COG-101-12-10 |                | <b>130.00</b> |





### SPARE PARTS

| Ref. | Code            | Description                          | COG-200<br>-12 | COG-200<br>-18 | COG-200<br>-18S | COG-101<br>-08 | COG-101<br>-12 | \$     |
|------|-----------------|--------------------------------------|----------------|----------------|-----------------|----------------|----------------|--------|
| 1    | 9COG-200-18-10  | COG-200 AIR CAP ASSY                 | X              | X              |                 |                |                | 192.00 |
| 1    | 9COG-200-18S-10 | COG-200 AIR CAP ASSY                 |                |                | X               |                |                | 192.00 |
| 1    | 9COG-101-12-10  | COG-101 AIR CAP ASSY                 |                |                |                 | X              | X              | 130.00 |
| 2    |                 | NOZZLE/NEEDLE ASSY                   | X              | X              | X               | X              | X              | P. 44  |
| 3-1  | 93660300        | AIR NIPPLE                           | X              | X              | X               | X              | X              | 8.00   |
| 3-2  | 93515600        | FLUID NIPPLE                         | X              | X              | X               | X              | X              | 17.00  |
| 4    | 93898600        | PATTERN ADJUST SET                   | X              | X              | X               |                |                | 32.00  |
| 4    | 93842531        | PATTERN ADJUST SET                   |                |                |                 | X              | X              | 29.00  |
| 5    | 93843530        | AIR VALVE SEAT SET                   | X              | X              | X               | X              | X              | 20.00  |
| 5-1  | 96638008        | O RING                               | X              | X              | X               | X              | X              | 4.00   |
| 6    | 93591530        | AIR VALVE                            | X              | X              | X               | X              | X              | 14.00  |
| 7    | 93719530        | AIR VALVE SPRING                     | X              | X              | X               | X              | X              | 8.00   |
| 8    | 93844532        | FLUID ADJUST GUIDE SET               | X              | X              | X               | X              | X              | 28.00  |
| 9    | 93593530        | FLUID NEEDLE SPRING                  | X              | X              | X               | X              | X              | 8.00   |
| 10   | 93594532        | FLUID ADJUST KNOB                    | X              | X              | X               | X              | X              | 11.00  |
| 11   | 93935430        | AIR VALVE SHAFT                      | X              | X              | X               | X              | X              | 11.00  |
| 12   | 93845531        | AIR ADJUST SET HP-G6                 | X              | X              | X               | X              | X              | 28.00  |
| 13   | 93667360        | TRIGGER STUD                         | X              | X              | X               | X              | X              | 5.00   |
| 14   | 93517600        | TRIGGER                              | X              | X              | X               |                |                | 14.00  |
| 14   | 93597530        | TRIGGER                              |                |                |                 | X              | X              | 12.00  |
| 15   | 93912030        | E STOPPER (PACK OF 2)                | X              | X              | X               | X              | X              | 4.00   |
| 17   | 96990600        | BRUSH                                | X              | X              | X               | X              | X              | 4.00   |
| 16   | 93765610        | NEEDLE PACKING SET                   | X              | X              | X               | X              | X              | 36.00  |
|      | 9COG-200-18-50  | COG-200-18 CONVERSION ASSY           | X              |                |                 |                |                | 670.00 |
|      | 9COG-200-12-50  | COG-200-12 CONVERSION ASSY           |                | X              | X               |                |                | 670.00 |
|      | 93502540        | BACK RING                            |                |                |                 | X              | X              | 4.00   |
|      | 9COG-200-X1     | COG-200-18 AIR CAP ASSY - RESTRICTED |                | X              |                 |                |                | 192.00 |



## TOF-50 | TOF-50R COMPACT PRESSURE-FEED



### FEATURES

- Available in two versions, flat or round pattern
- Air and fluid joints positioned at the bottom of grip for easy handling
- Fluid adjustment and pattern adjustment with locking mechanism
- Aluminum forged body with anodized surface
- Multi-use for various liquid applications

### TECHNICAL



#### TOF-50 FLAT PATTERN

| Model       | Ø mm | No. | bar/psi  | m³/min | CFM | mm  |
|-------------|------|-----|----------|--------|-----|-----|
| TOF-50-022P | 0.2  | E2  | 1.0/14.5 | 180    | 1.8 | 120 |
| TOF-50-032P | 0.3  |     |          |        |     | 140 |
| TOF-50-042P | 0.4  |     |          |        |     | 150 |
| TOF-50-062P | 0.6  |     |          |        |     | 150 |
| TOF-50-082P | 0.8  |     |          |        |     | 180 |
| TOF-50-102P | 1.0  |     |          |        |     | 180 |
| TOF-50-122P | 1.2  | G2  | 1.5/21.8 | 500    | 2.3 | 180 |
| TOF-50-142P | 1.4  |     |          |        |     | 230 |

#### TOF-50R ROUND PATTERN

| Model        | Ø mm | No. | bar/psi  | m³/min | CFM | mm |
|--------------|------|-----|----------|--------|-----|----|
| TOF-50R-022P | 0.2  | A2R | 1.0/14.5 | 180    | 1.8 | 40 |
| TOF-50R-032P | 0.3  |     |          |        |     | 50 |
| TOF-50R-042P | 0.4  |     |          |        |     | 70 |
| TOF-50R-062P | 0.6  |     |          |        |     | 70 |
| TOF-50R-082P | 0.8  |     |          |        |     | 70 |
| TOF-50R-102P | 1.0  |     |          |        |     | 70 |
| TOF-50R-122P | 1.2  | G2R | 1.5/21.8 | 500    | 2.6 | 80 |
| TOF-50R-142P | 1.4  |     |          |        |     | 80 |

Connection hose: • Outside ø 6 mm • Inside ø 4 mm

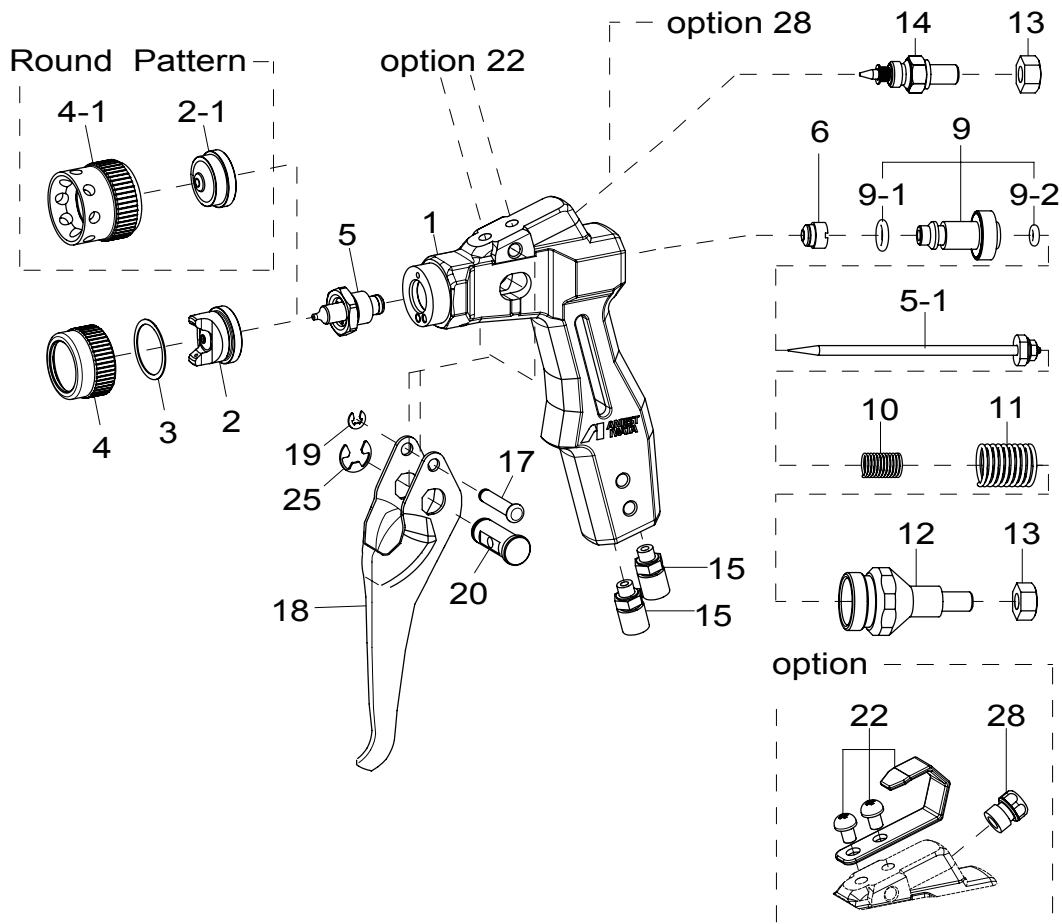
**HANGER HOOK**  
Optional  
Can be attached on either side of gun



### ORDER Information - TOF-50 Flat Pattern | TOF-50R Round Pattern

|                              | ø 0.2    | ø 0.3    | ø 0.4    | ø 0.6    | ø 0.8    | ø 1.0    | ø 1.2    | ø 1.4    | \$            |
|------------------------------|----------|----------|----------|----------|----------|----------|----------|----------|---------------|
| <b>TOF-50 FLAT PATTERN</b>   | 5060     | 5065     | 5070     | 5495     | 5080     | 5085     | 5090     | 5095     | <b>249.00</b> |
| <b>TOF-50R ROUND PATTERN</b> | 5061     | 5066     | 5071     | 5076     | 5081     | 5086     | 5091     | 5096     | <b>270.00</b> |
| <b>NOZZLE + NEEDLE SET</b>   | 93030930 | 93031220 | 93030820 | 93030780 | 93030990 | 93031040 | 93031120 | 93031170 | <b>76.00</b>  |
| <b>AIR CAP SET - TOF-50</b>  | 93557600 |          |          |          |          |          |          | 93021960 | <b>90.00</b>  |
| <b>AIR CAP SET - TOF-50R</b> | 93030380 |          |          |          |          |          |          | 93021970 | <b>90.00</b>  |





**SPARE PARTS**

| Ref.    | Code     | Description                 | \$    |
|---------|----------|-----------------------------|-------|
| 2       |          | AIR CAP SET                 | 90.00 |
| 2-1     |          | AIR CAP SET (Round Pattern) | 90.00 |
| 5 + 5-1 |          | NOZZLE + NEEDLE SET         | 76.00 |
| 3       | 93558600 | PACKING                     | 76.00 |
| 4       | 93559600 | COVER                       | 14.00 |
| 4-1     | 93030370 | CAP GUARD                   | 35.00 |
| 6       | 93030411 | NEEDLE PACKING SET          | 33.00 |
| 9       | 93030800 | PISTON ASSY                 | 26.00 |
| 9-1     | 96997086 | O RING                      | 18.00 |
| 9-2     | 96997085 | O RING                      | 12.00 |
| 10      | 93030630 | FLUID NEEDLE SPRING         | 9.00  |
| 11      | 93030640 | PISTON SPRING               | 9.00  |

| Ref.    | Code     | Description      | \$    |
|---------|----------|------------------|-------|
| 12      | 93030810 | FLUID ADJ. ASSY  | 9.00  |
| 13      | 96361061 | HEXAGON NUT      | 1.00  |
| 14      | 93030710 | PATTERN ADJ. SET | 22.00 |
| 15      | 9MS-5H-6 | HOSE NIPPLE      | 9.99  |
| 17      | 93030660 | TRIGGER STUD     | 7.00  |
| 18      | 93030651 | TRIGGER          | 10.00 |
| 19      | 96612025 | E STOPPER        | 5.00  |
| 20      | 93030591 | PUSHING BAR      | 9.42  |
| 25      | 96612050 | E STOPPER        | 2.00  |
| 22 Opt. | 93018920 | HOOK SET         | 9.99  |
| 28 Opt. | 93027880 | PLUG             | 14.00 |



## RG3L GRAVITY ROUND PATTERN



**RG3L with  
PC61 Cup**

See page 52  
for cup options  
(sold separately)

### TECHNICAL



| RG3L    | Ø mm | No. | bar/psi | ml/min | CFM | mm |
|---------|------|-----|---------|--------|-----|----|
| RG3L-1  | 0.4  | 1   | 2.5/36  | 15     | 1.1 | 25 |
| RG3L-11 |      |     |         |        |     |    |
| RG3L-2  | 0.6  | 2   | 2.5/36  | 35     | 1.1 | 35 |
| RG3L-12 |      |     |         |        |     |    |
| RG3L-3  | 1.0  | 3   | 2.5/36  | 80     | 1.8 | 35 |
| RG3L-13 |      |     |         |        |     |    |

• Air Nipple: G1/4" • Fluid Nipple: G1/4"

### ORDER Information - RG3L

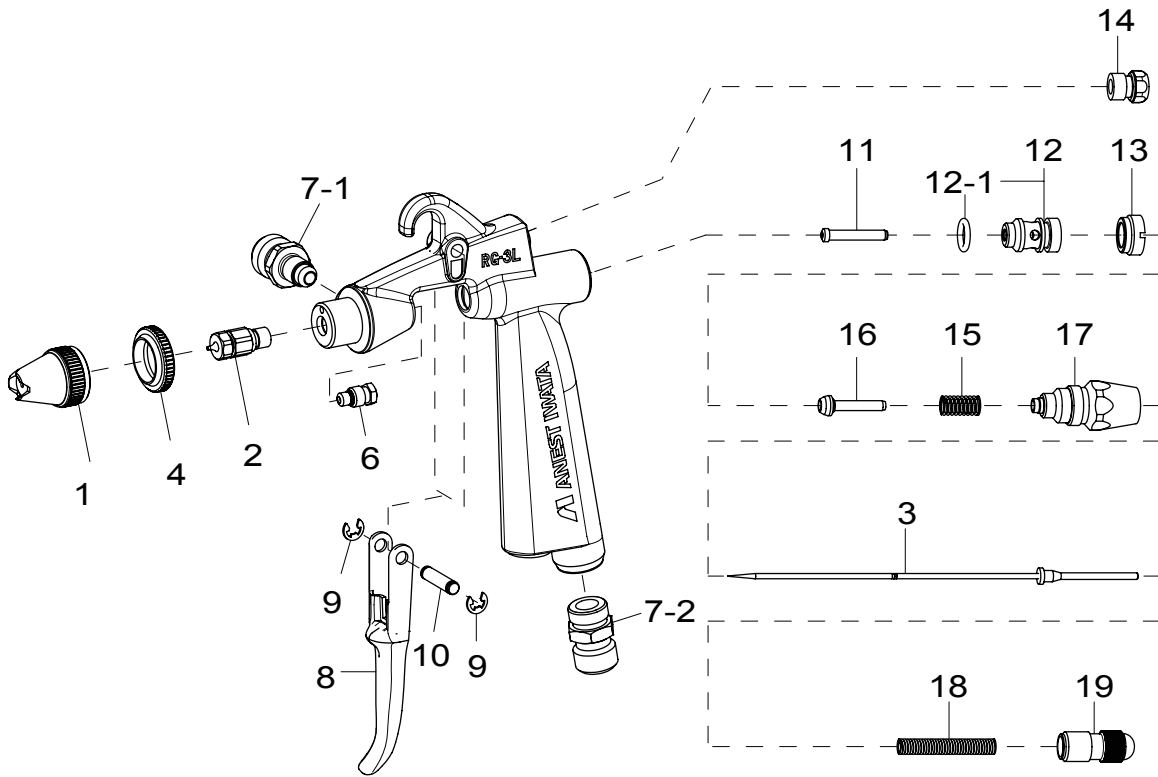
|                                     | ø 0.4         | ø 0.6         | ø 1.0         | \$     |
|-------------------------------------|---------------|---------------|---------------|--------|
| GRAVITY SPRAY GUN W/ BLANKING SCREW | 2805          | 2806          | 2807          | 377.00 |
| GRAVITY SPRAY GUN + PC61 - 150ML    | 2862          | 2864          | 2866          | 445.00 |
| GRAVITY SPRAY GUN + PC5 - 250ML     | 2861          | 2863          | 2865          | 432.00 |
| FLUID NOZZLE                        | 93042880      | 93041880      | 93040890      | 38.00  |
| FLUID NEEDLE                        | 93910880      | 93937880      | 93938880      | 33.00  |
| AIR CAP SET                         | 1<br>93022890 | 2<br>93025880 | 3<br>93026880 | 45.00  |

### ORDER Information - RG3L W/ AIR ADJUST SET

|                                     | ø 0.4 | ø 0.6 | ø 1.0 | \$     |
|-------------------------------------|-------|-------|-------|--------|
| GRAVITY SPRAY GUN W/ AIR ADJUST SET | 2808  | 2809  | 2810  | 386.00 |
| GRAVITY SPRAY GUN + PC61 - 150ML    | 2868  | 2870  | 2872  | 454.00 |
| GRAVITY SPRAY GUN + PC5 - 250ML     | 2867  | 2869  | 2871  | 441.00 |







### SPARE PARTS

| Ref. | Code     | Description              | Qty.           | \$    |
|------|----------|--------------------------|----------------|-------|
| 1    |          | AIR CAP SET RG-3L        |                | 45.00 |
| 2    |          | NOZZLE SET               |                | 38.00 |
| 3    |          | NEEDLE SET               |                | 33.00 |
| 4    | 93028890 | JAM NUT                  |                | 15.00 |
| 6    | 93940890 | NEEDLE PACKING CARTRIDGE |                | 21.00 |
| 7-1  | 93005891 | FLUID NIPPLE             | 1/4"           | 17.00 |
| 7-2  | 93660300 | AIR NIPPLE               | 1/4"           | 8.00  |
| 8    | 93162890 | TRIGGER                  |                | 10.00 |
| 9    | 93912030 | E STOPPER                | (2 pcs./1 pk.) | 4.00  |
| 10   | 93167890 | TRIGGER STUD             |                | 5.00  |
| 11   | 93006880 | AIR VALVE SHAFT          |                | 14.00 |
| 12   | 93912880 | AIR VALVE SEAT SET       |                | 30.00 |
| 12-1 | 96638005 | O RING                   |                | 4.00  |
| 13   | 93011880 | AIR VALVE SEAT SCREW     |                | 6.00  |
| 14   | 93027880 | BLANK SCREW              | 1/2/3          | 14.00 |
| 14   | 93939880 | AIR ADJUST SET           | 11/12/13       | 39.00 |
| 15   | 93012880 | AIR VALVE SPRING         |                | 5.00  |
| 16   | 93013880 | AIR VALVE                |                | 14.00 |
| 17   | 93936880 | FLUID ADJ. GUIDE SET     |                | 30.00 |
| 18   | 93015880 | FLUID NEEDLE SPRING      |                | 8.00  |
| 19   | 93017880 | FLUID ADJ. KNOB          |                | 11.00 |

### ACCESSORIES

| Ref. | Code   | Description   | \$    |
|------|--------|---|-------|
|      | 6022   | AIRBRUSH BOTTLE ADAPTER KIT WITH THREE 2 OZ BOTTLES | 72.00 |
|      | 6022-1 | AIRBRUSH BOTTLE ADAPTER ONLY                        | 43.00 |
|      | 2950   | MK5 MAINTENANCE KIT                                 | 70.00 |
|      | 2860   | REPAIR SERVICE KIT (INCLUDES: 6, 9, 12-1)           | 29.00 |





## FOR MANUAL SPRAY GUNS

| ALUMINUM GRAVITY CUPS |  |  | LS-400 | WS-400 | W-400 | W-400-LV | LPH-400 | LPH-300-LV | LPH-80 | \$    |
|-----------------------|--|--|--------|--------|-------|----------|---------|------------|--------|-------|
| MODELS                |  |  |        |        |       |          |         |            |        |       |
| 1000ML                |  | <b>PCG10D2</b>                             |        |        |       |          |         |            |        |       |
|                       |  | 6038D                                      | ●      | ●      |       |          |         |            |        | 78.00 |
|                       |  | G1/4" Stainless Steel Fluid Joint          |        |        |       |          |         |            |        |       |
| 1000ML                |  | <b>PCG10EM</b>                             |        |        |       |          |         |            |        |       |
|                       |  | 6034E                                      |        |        | ●     | ●        | ●       |            |        | 74.00 |
|                       |  | M16x1.5 Female Stainless Steel Fluid Joint |        |        |       |          |         |            |        |       |
| 700ML                 |  | <b>PCG7D2</b>                              |        |        |       |          |         |            |        |       |
|                       |  | 6032D                                      | ●      | ●      |       |          |         | ●          |        | 78.00 |
|                       |  | G1/4" Stainless Steel Fluid Joint          |        |        |       |          |         |            |        |       |
| 700ML                 |  | <b>PCG7EM</b>                              |        |        |       |          |         |            |        |       |
|                       |  | 6033E                                      |        |        | ●     | ●        | ●       |            |        | 74.00 |
|                       |  | M16x1.5 Female Stainless Steel Fluid Joint |        |        |       |          |         |            |        |       |
| 400ML                 |  | <b>PCG4D2</b>                              |        |        |       |          |         |            |        |       |
|                       |  | 6031D                                      | ●      | ●      |       |          |         | ●          |        | 66.00 |
|                       |  | G1/4" Stainless Steel                      |        |        |       |          |         |            |        |       |
| 150ML                 |  | <b>PCG2D-1</b>                             |        |        |       |          |         |            |        |       |
|                       |  | 6036D                                      |        |        |       |          |         |            | ●      | 57.00 |
|                       |  | G1/8" Stainless Steel                      |        |        |       |          |         |            |        |       |

| CODE     | SPARE PARTS for GRAVITY CUPS | MODELS      | \$   |
|----------|------------------------------|-------------|------|
| 94008321 | LID                          | PCG10/7/4/2 | 4.00 |
| 94007321 | LID                          | PCG2        | 4.00 |




### PLASTIC GRAVITY CUPS

| MODELS       |   | LS-400                  | WS-400 | W-400 | W-400-LV | LPH-400 | LPH-300 | \$    |
|--------------|---|-------------------------|--------|-------|----------|---------|---------|-------|
| <b>600ML</b> |  | <b>PCG600P-2</b>        |        |       |          |         |         | 72.00 |
|              |   | 6039                    | ●      | ●     |          |         | ●       |       |
|              |   | 1/4" Fluid Joint        |        |       |          |         |         |       |
|              |  | <b>PCG6PM</b>           |        |       |          |         |         | 68.00 |
|              |   | 6000                    |        |       | ●        | ●       | ●       |       |
|              |   | M16 X 1.5MM Fluid Joint |        |       |          |         |         |       |

| CODE     | SPARE PARTS for GRAVITY CUPS | MODELS      | \$    |
|----------|------------------------------|-------------|-------|
| 94002321 | LID                          | PCG6PM/2/3  | 24.00 |
| 94003320 | VENT KNOB                    | PCG6PM/2/23 | 9.00  |

### 3M PPS ADAPTERS FOR GRAVITY CUPS

| TYPES   |             | LS-400 | WS-400 | W-400 | W-400-LV | LPH-400 | LPH-300 | LPH-80 |
|---|-------------|--------|--------|-------|----------|---------|---------|--------|
|  | <b># 2</b>  |        |        |       |          |         |         |        |
|   | 16503       |        |        | ●     | ●        | ●       |         |        |
|   | <b># 43</b> |        |        |       |          |         |         |        |
|   | 16539       | ●      | ●      |       |          |         | ●       |        |
|   | <b># 31</b> |        |        |       |          |         |         |        |
|   | 16527       |        |        |       |          |         |         | ●      |



## FOR MANUAL SPRAY GUNS

| SIDE GRAVITY CUPS |                              |                          | W-101        | W-200 | W-77 | W-71 | LPH-101 | LPH-50 | RG3L | \$    |
|-------------------|------------------------------|--------------------------|--------------|-------|------|------|---------|--------|------|-------|
| MODELS            |                              |                          |              |       |      |      |         |        |      |       |
| 250ML             |                              | PC 5                     |              |       |      |      |         |        |      |       |
|                   |                              | 6009                     | ●            |       |      | ●    | ●       | ●      | ●    | 57.00 |
|                   |                              | G1/4"<br>Stainless Steel |              |       |      |      |         |        |      |       |
| 220ML             |                              | PC 51                    |              |       |      |      |         |        |      |       |
|                   |                              | 6028                     | ●            |       |      | ●    | ●       | ●      | ●    | 76.00 |
|                   |                              | G1/4"<br>Stainless Steel |              |       |      |      |         |        |      |       |
| 150ML             |                              | PC 61                    |              |       |      |      |         |        |      |       |
|                   |                              | 6010                     | ●            |       |      | ●    | ●       | ●      | ●    | 69.00 |
|                   |                              | G1/4"<br>Stainless Steel |              |       |      |      |         |        |      |       |
| 400ML             |                              | PC 4                     |              |       |      |      |         |        |      |       |
|                   |                              | 6007                     |              | ●     | ●    |      |         |        |      | 57.00 |
|                   |                              | G3/8"<br>Stainless Steel |              |       |      |      |         |        |      |       |
| 400ML             |                              | PC 4S                    |              |       |      |      |         |        |      |       |
|                   |                              | 6008                     | ●            |       |      | ●    | ●       | ●      | ●    | 57.00 |
|                   |                              | G1/4"<br>Stainless Steel |              |       |      |      |         |        |      |       |
| 600ML             |                              | PCG6P2                   |              |       |      |      |         |        |      |       |
|                   |                              | 6011                     | ●            |       |      | ●    | ●       |        |      | 96.00 |
|                   |                              | G1/4"<br>Plastic         |              |       |      |      |         |        |      |       |
| 600ML             |                              | PCG6P3                   |              |       |      |      |         |        |      |       |
|                   |                              | 6012                     |              | ●     | ●    |      |         |        |      | 96.00 |
|                   |                              | G3/8"<br>Plastic         |              |       |      |      |         |        |      |       |
| CODE              | SPARE PARTS for GRAVITY CUPS |                          | MODELS       |       |      |      |         |        |      | \$    |
| 94001080          | LID SET                      |                          | PC 4 - PC 4S |       |      |      |         |        |      | 19.00 |
| 94001100          | LID SET                      |                          | PC 5         |       |      |      |         |        |      | 19.00 |
| 94001191          | LID SET                      |                          | PC 61        |       |      |      |         |        |      | 15.00 |

| PRESSURE CONTAINERS |                               |        | W-2003 | LPH-2003 | \$     |
|---------------------|-------------------------------|--------|--------|----------|--------|
| MODELS              |                               |        |        |          |        |
| 1000ML              |                               | PC 19B |        |          |        |
|                     |                               | 6035   | ●      | ●        | 134.00 |
|                     |                               | G3/8"  |        |          |        |
| CODE                | SPARE PARTS                   |        | MODEL  |          | \$     |
| 94903170            | LID PACKING SET (2 pcs./1pk.) |        | PC 19B |          | 21.00  |
| 94902161            | SUCTION TUBE                  |        | PC 19B |          | 33.00  |



| SIPHON CONTAINERS |   |           | W-101              | W-200 | W-77 | W-71 | LPH-101   | \$    |
|-------------------|---|-----------|--------------------|-------|------|------|-----------|-------|
| MODELS            |   |           |                    |       |      |      |           |       |
| 1000ML            |    | PC 1      |                    |       |      |      |           | 70.00 |
|                   |   | 6001      |                    | ●     | ●    |      |           |       |
|                   |   | G3/8"     |                    |       |      |      |           |       |
| 1000ML            |    | PC 1S     |                    |       |      |      |           | 70.00 |
|                   |   | 6004      | ●                  |       |      | ●    | ●         |       |
|                   |   | G1/4"     |                    |       |      |      |           |       |
| 600ML             |    | PC 2      |                    |       |      |      |           | 65.00 |
|                   |   | 6005      | ●                  |       |      | ●    | ●         |       |
|                   |   | G1/4"     |                    |       |      |      |           |       |
| 400ML             |   | PC 3      |                    |       |      |      |           | 70.00 |
|                   |   | 6006      | ●                  |       |      | ●    | ●         |       |
|                   |   | G1/4"     |                    |       |      |      |           |       |
| 700ML             |  | PCL 7B 2  |                    |       |      |      |           | 67.00 |
|                   |   | 6019      | ●                  |       |      | ●    | ●         |       |
|                   |   | G1/4"     |                    |       |      |      |           |       |
| 700ML             |  | PCL 7B 3  |                    |       |      |      |           | 67.00 |
|                   |   | 6021      |                    | ●     | ●    |      |           |       |
|                   |   | G3/8"     |                    |       |      |      |           |       |
| 1000ML            |  | PCL 10B 2 |                    |       |      |      |           | 67.00 |
|                   |   | 6015      | ●                  |       |      | ●    | ●         |       |
|                   |   | G1/4"     |                    |       |      |      |           |       |
| 1000ML            |  | PCL 10B 3 |                    |       |      |      |           | 67.00 |
|                   |   | 6017      |                    | ●     | ●    |      |           |       |
|                   |   | G3/8"     |                    |       |      |      |           |       |
| <b>CODE</b>       | <b>SPARE PARTS for SIPHON CONTAINER</b>   |           | <b>MODELS</b>      |       |      |      | <b>\$</b> |       |
| 94901000          | PACKING SET (2 pcs./1pk.)   |           | PC 1- PC 1S - PC 2 |       |      |      | 8.00      |       |
| 94008300          | LID PACKING SET (2 pcs./1pk.)   |           | PCL 7B -PCL 10B    |       |      |      | 5.00      |       |
| 04904302          | NON DRIP SET (2 pcs./1pk.)  |           | PCL 7B -PCL 10B    |       |      |      | 8.00      |       |



## FOR PRESSURE APPLICATIONS

### ORDER Information - EAHU6 (6mm) URETHANE GROUNDED AIR HOSE

| Code | Length (ft.) | Diameter (mm) | Fitting Size (in) | Fittings Included | Compatability   | Material | Note                                 | \$     |
|------|--------------|---------------|-------------------|-------------------|---|----------|--------------------------------------|--------|
| 8002 | 1            | 6             | 1/4               | -                 | Can be used with all pressure fed guns, pumps, and pots | Urethane | For one 18' hose, order 8002 Qty. 18 | 4.00   |
| 8000 | 6            |               |                   | PJU02F            |   |          | -                                    | 61.00  |
| 9000 | 6            |               |                   | NPT               |   |          | -                                    | 61.00  |
| 8091 | 25           |               |                   | PJU02F            |   |          | -                                    | 88.00  |
| 9091 | 25           |               |                   | NPT               |   |          | -                                    | 88.00  |
| 8001 | 328          |               |                   | -                 |   |          | Full Roll                            | 787.00 |

### ORDER Information - EAHU8 (8.7mm) URETHANE GROUNDED AIR HOSE

| Code | Length (ft.) | Diameter (mm) | Fitting Size (in) | Fittings Included | Compatability   | Material | Note                                 | \$       |
|------|--------------|---------------|-------------------|-------------------|---|----------|--------------------------------------|----------|
| 8114 | 1            | 8.7           | 1/4               | -                 | Can be used with all pressure fed guns, pumps, and pots | Urethane | For one 18' hose, order 8114 Qty. 18 | 7.00     |
| 8220 | 6            |               |                   | W/AJU032F         |   |          | -                                    | 82.00    |
| 8221 | 25           |               |                   | W/AJU032F         |   |          | -                                    | 215.00   |
| 8116 | 328          |               |                   | -                 |   |          | Full Roll                            | 1,616.00 |

### ORDER Information - PHU6 (6mm) URETHANE FLUID HOSE

| Code | Length (ft.) | Diameter (mm) | Fitting Size (in) | Fittings Included | Compatability   | Material | Note                                 | \$     |
|------|--------------|---------------|-------------------|-------------------|---|----------|--------------------------------------|--------|
| 8009 | 1            | 6             | 3/8               | -                 | Can be used with all pressure fed guns, pumps, and pots | Urethane | For one 18' hose, order 8002 Qty. 18 | 4.00   |
| 8007 | 6            |               |                   | W/PJU023F         |   |          | -                                    | 63.00  |
| 9007 | 6            |               |                   | NPT               |   |          | -                                    | 63.00  |
| 8048 | 25           |               |                   | W/PJU023F         |   |          | -                                    | 103.00 |
| 9048 | 25           |               |                   | NPT               |   |          | -                                    | 103.00 |
| 8008 | 328          |               |                   | -                 |   |          | Full Roll                            | 787.00 |



### ORDER Information - PHU8 (8.7mm) URETHANE FLUID HOSE

| Code | Length (ft.) | Diameter (mm) | Fitting Size (in) | Fittings Included | Compatability   | Material | Note                                 | \$       |
|------|--------------|---------------|-------------------|-------------------|---|----------|--------------------------------------|----------|
| 8207 | 1            | 8.7           | 3/8               | -                 | Can be used with all pressure fed guns, pumps, and pots | Urethane | For one 18' hose, order 8002 Qty. 18 | 8.00     |
| 8206 | 328          |               |                   | -                 |   |          | Full Roll                            | 1,686.00 |

### ORDER Information - PHN6 (6mm) NYLON FLUID HOSE

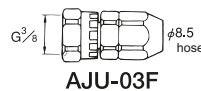
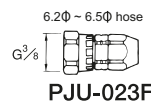
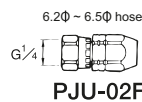
| Code | Length (ft.) | Diameter (mm) | Fitting Size (in) | Fittings Included | Compatability   | Material | Note                                 | \$       |
|------|--------------|---------------|-------------------|-------------------|---|----------|--------------------------------------|----------|
| 8212 | 1            | 6             | 3/8               | -                 | Can be used with all pressure fed guns, pumps, and pots | Nylon    | For one 18' hose, order 8002 Qty. 18 | 5.00     |
| 8006 | 6            |               |                   | PJU023F           |   |          | -                                    | 65.00    |
| 9010 | 6            |               |                   | NPT               |   |          | -                                    | 65.00    |
| 8213 | 25           |               |                   | PJU023F           |   |          | -                                    | 140.00   |
| 9215 | 25           |               |                   | NPT               |   |          | -                                    | 140.00   |
| 8211 | 328          |               |                   | -                 |   |          | Full Roll                            | 1,349.00 |

### ORDER Information - PHN8 (8.7mm) NYLON FLUID HOSE

| Code | Length (ft.) | Diameter (mm) | Fitting Size (in) | Fittings Included | Compatability   | Material | Note                                 | \$       |
|------|--------------|---------------|-------------------|-------------------|---|----------|--------------------------------------|----------|
| 8112 | 1            | 8.7           | 3/8               | -                 | Can be used with all pressure fed guns, pumps, and pots | Nylon    | For one 18' hose, order 8002 Qty. 18 | 7.30     |
| 8230 | 6            |               |                   | W/AJU03F          |   |          | -                                    | 83.00    |
| 8231 | 25           |               |                   | W/AJU03F          |   |          | -                                    | 222.00   |
| 8111 | 328          |               |                   | -                 |   |          | Full Roll                            | 2,263.00 |

### ORDER Information - HOSE FITTINGS

| Code | Diameter (mm) | Fitting Size (in) | Compatability | Name    | Note                  | \$    |
|------|---------------|-------------------|---------------|---------|-----------------------|-------|
| 8023 | 6             | 3/8               | 6mm Hoses     | PJU023F | Two fittings per hose | 20.00 |
| 8024 | 6             | 1/4               | 6mm Hoses     | PJU02F  |                       | 18.00 |
| 9023 | 6             | 3/8               | 6mm Hoses     | NPT     |                       | 20.00 |
| 9024 | 6             | 1/4               | 6mm Hoses     | NPT     |                       | 18.00 |
| 8040 | 8.7           | 1/4               | 8.7mm Hoses   | AJU032F |                       | 20.00 |
| 8045 | 8.7           | 3/8               | 8.7mm Hoses   | AJU03F  |                       | 20.00 |







# ELECTROSTATIC SPRAY GUNS

## External Charging System



## Internal Charging System

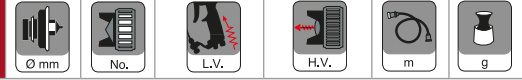


## E-MW50 EXTERNAL CHARGING SYSTEM



E-MW50

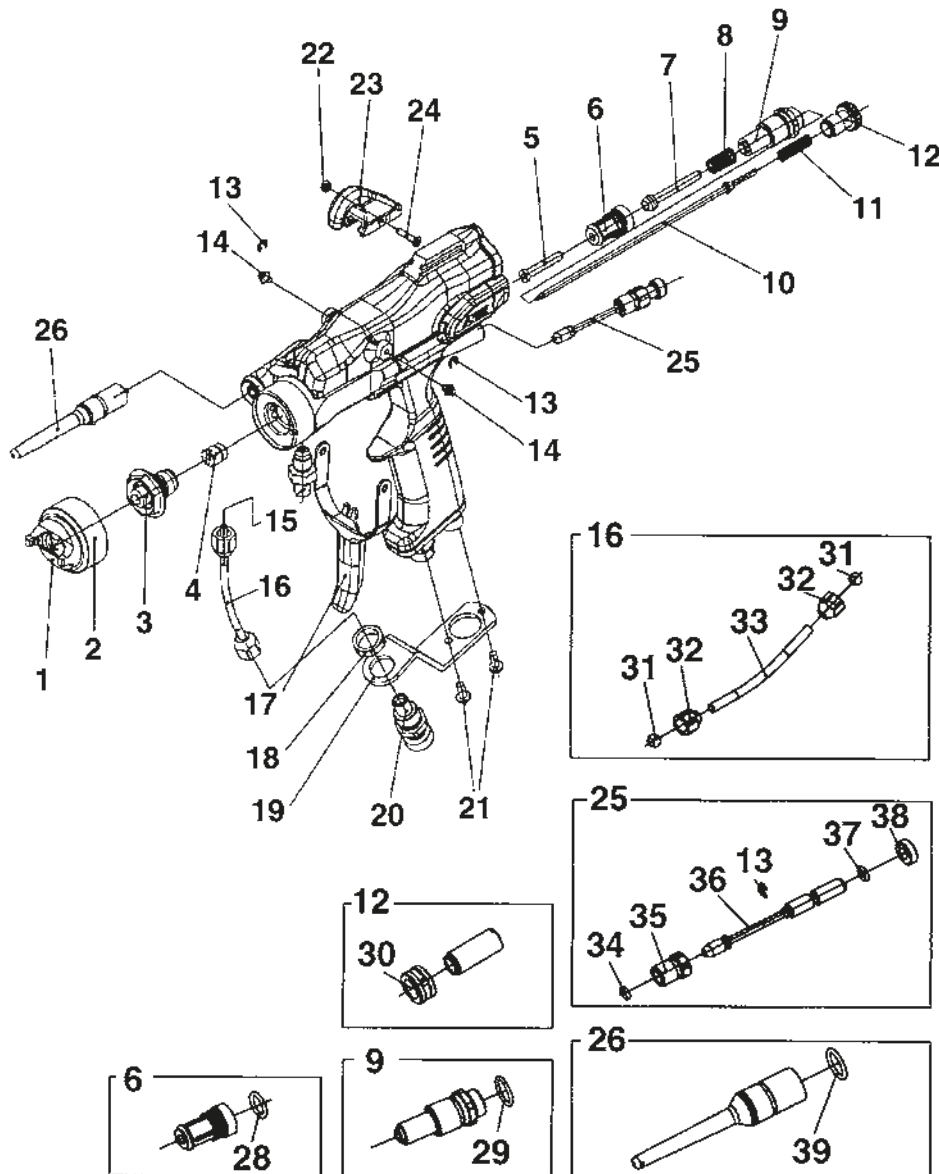
### TECHNICAL



|              |     |    |          |         |    |     |
|--------------|-----|----|----------|---------|----|-----|
| E-MW50       |     |    |          |         |    |     |
| E-MW50-13C1X | 1.1 | C1 | ACV24Vpp | DC-50KV | 10 | 530 |

### ORDER Information - E-MW50 Water-Based Electrostatic Gun

| Code | Description                              | Voltage     | \$       |
|------|--|-------------|----------|
| 7066 | E-MW50 WATER BASED ELECTROSTATIC GUN     | -           | 4,400.00 |
| 7064 | E-SC24BL-FM E/S ELECTROSTATIC CONTROLLER | AC 100-120V | 2,400.00 |





**E-SC24BL-FM**



### SPARE PARTS

| Ref. | Code     | Description  | \$     |
|------|----------|--|--------|
| 1    | 93683030 | AIR CAP C1   | 226.00 |
| 2    | 93675040 | CAP COVER  | 95.00  |
| 3    | 93684030 | FLUID NOZZLE (2) ø1.3 chamfered tip nozzle, for C1 | 202.00 |
| 4    | 93801080 | NEEDLE PK SET                                      | 114.00 |
| 5    | 93551090 | AIR VALVE SHAFT                                    | 107.00 |
| 6    | 93843530 | AIR VALVE SEAT SET                                 | 20.00  |
| 7    | 93550090 | AIR VALVE  | 33.00  |
| 8    | 93719530 | AIR VALVE SPRING                                   | 8.00   |
| 9    | 93559090 | FLUID ADJ. GUIDE SET                               | 265.00 |
| 10   | 93502090 | FLUID NEEDLE                                       | 130.00 |
| 11   | 93593530 | NEEDLE SPRING                                      | 8.00   |
| 12   | 93594532 | FLUID ADJ. KNOB                                    | 11.00  |
| 13   | 93912030 | STOPPER (2 pcs./1 pk.)                             | 4.00   |
| 14   | 93532090 | TRIGGER STUD                                       | 49.00  |
| 15   | 93686000 | FLUID JOINT for ø4 fluid tube - ø2 orifice         | 76.00  |
| 16   | 93604080 | FLUID TUBE SET ø4 x ø2                             | 65.00  |
| 17   | 93680040 | TRIGGER  | 114.00 |
| 18   | 93687000 | NUT  | 30.00  |
| 19   | 93553090 | L STAY   | 91.00  |
| 20   | 93685040 | FLUID NIPPLE 3/8" M - for ø4 fluid tube            | 84.00  |
| 21   | 96360042 | SCREW  | 3.00   |
| 22   | 96071003 | NUT  | 7.00   |
| 23   | 93533090 | GUN HOOK   | 95.00  |
| 24   | 96074003 | SCREW  | 8.00   |
| 25   | 93539090 | PATTERN ADJ. SET                                   | 482.00 |
| 26   | 93696070 | ELECTRODE BAR SET 30 S 30mm electrode              | 114.00 |
| 28   | 96638008 | O RING   | 4.00   |
| 29   | 96997020 | O RING   | 10.00  |
| 31   | 96876104 | SLEEVE for ø4 fluid tube                           | 4.00   |
| 32   | 96876004 | JOINT NUT for ø4 fluid tube                        | 8.00   |
| 34   | 96997012 | O RING   | 8.00   |
| 37   | 96995986 | O RING   | 8.00   |
| 39   | 96995948 | O RING   | 77.00  |
| 40   | 93531090 | TERMINAL SPRING                                    | 8.00   |
|      | 7085     | LOW VOLTAGE CABLE 10 m                             | 746.00 |
|      | 7086     | LOW VOLTAGE CABLE 15 m (Option)                    | 872.00 |
|      | 7087     | LOW VOLTAGE CABLE 20 m (Option)                    | 999.00 |



## E-M15B INTERNAL CHARGING SYSTEM

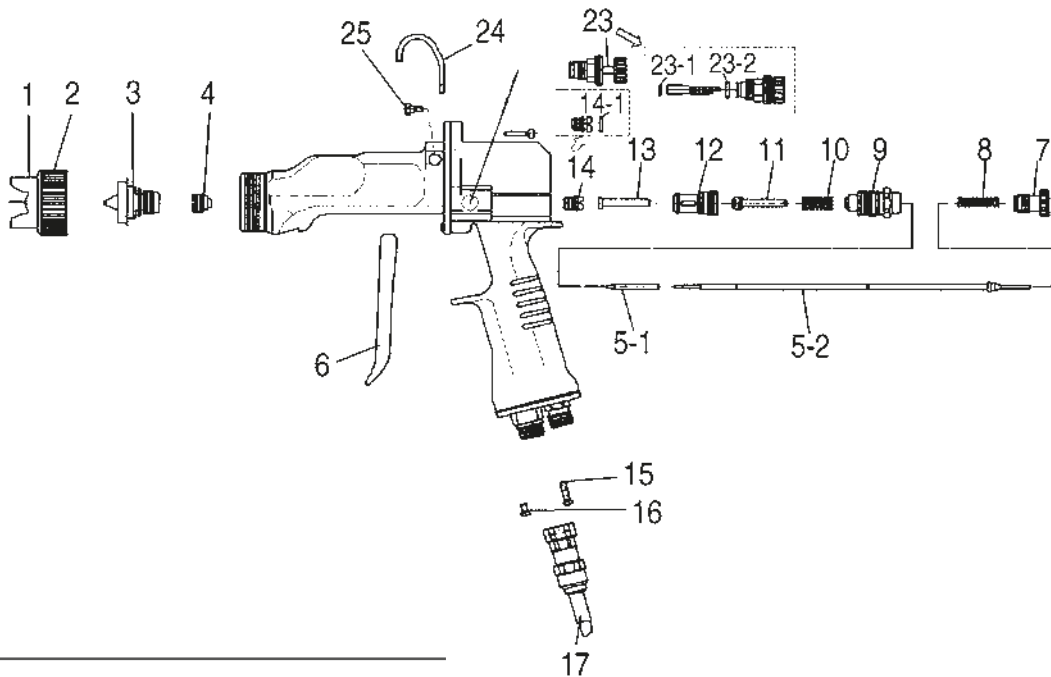


E-M15B

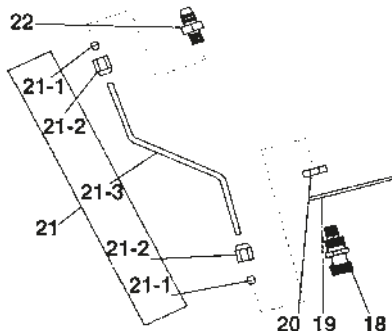
| TECHNICAL       |  | Ø mm | No. | L.V.    | H.V.    | m  | g   |
|-----------------|--|------|-----|---------|---------|----|-----|
| E-M15B          |  |      |     |         |         |    |     |
| E-M15B-13C1X-S1 |  | 1.3  | C1  | AC12Vpp | DC-40KV | 10 | 510 |

### ORDER Information - E-M10B | Water Based & Low Resistance Paint

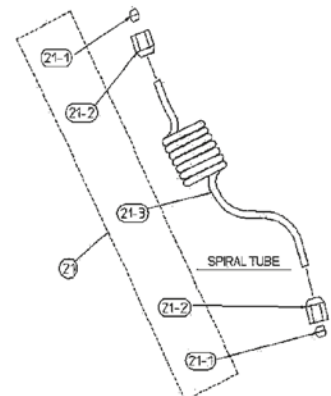
| Code  | Description                         | Voltage     | \$       |
|-------|-------------------------------------|-------------|----------|
| 7080B | E-M15B ELECTROSTATIC SPRAY GUN      | -           | 4,700.00 |
| 7081  | E-SC12B-FM ELECTROSTATIC CONTROLLER | AC 200-240V | 2,500.00 |



#### STRAIGHT TUBE



#### SPIRAL TUBE





**E-SC12B-FM**

Electrostatic **Controller**



### SPARE PARTS

| Ref. | Code     | Description                                    | \$     |
|------|----------|--|--------|
| 1    | 93683030 | AIR CAP SET(2) C1                              | 226.00 |
| 2    | 93675040 | CAP COVER                                      | 95.00  |
| 3    | 93684030 | FLUID NOZZLE (2) ø 1,3 for C1/C5               | 202.00 |
| 4    | 93801080 | NEEDLE PACKING SET                             | 114.00 |
| 5-1  | 93839000 | FLUID NEEDLE SET                               | 87.00  |
| 5-2  | 93803080 | BAR SET  | 205.00 |
| 6    | 93680040 | TRIGGER  | 114.00 |
| 7    | 93594532 | FLUID ADJ. KNOB                                | 11.00  |
| 8    | 93593530 | NEEDLE SPRING                                  | 8.00   |
| 9    | 93807080 | FLUID ADJ. GUIDE SET                           | 96.00  |
| 10   | 93719530 | AIR VALVE SPRING                               | 8.00   |
| 11   | 93580080 | AIR VALVE                                      | 37.00  |
| 12   | 93843530 | AIR VALVE SEAT SET                             | 20.00  |
| 12-1 | 96638008 | O RING   | 4.00   |
| 13   | 93581080 | AIR VALVE SHAFT                                | 107.00 |
| 14   | 93809080 | BAR PACKING SET                                | 167.00 |
| 14-1 | 96997063 | O RING   | 30.00  |
| 15   | 96360033 | SCREW  | 3.00   |
| 16   | 96360032 | SCREW  | 3.00   |
| 17   | 7085     | LOW VOLTAGE CABLE 10m                          | 746.00 |
| 18   | 93685040 | FLUID NIPPLE 3/8" M - for ø4 fluid tube        | 84.00  |
| 18   | 93680050 | FLUID NIPPLE Option 3/8" M - for ø6 fluid tube | 84.00  |
| 19   | 93511080 | FLUID JOINT STAY                               | 91.00  |
| 20   | 93687000 | NUT  | 30.00  |
| 21   | 93841060 | FLUID TUBE SET                                 | 65.00  |
| 21   | 93848010 | FLUID TUBE SET Option ø6 x ø4, L= 145 mm       | 72.00  |
| 21   | 93501100 | FLUID HOSE SET Option ø6 x ø4, spiral          | 254.00 |
| 21   | 93844010 | FLUID HOSE SET Option ø4 x ø2.0 spiral         | 228.00 |
| 21-1 | 96876104 | SLEEVE for ø4 fluid tube                       | 4.00   |
| 21-1 | 96876106 | SLEEVE for ø6 fluid tube                       | 4.00   |
| 21-2 | 96876004 | JOINT NUT for ø4 fluid tube                    | 9.00   |
| 21-2 | 96876520 | JOINT NUT for ø6 fluid tube                    | 8.00   |
| 22   | 93686000 | FLUID JOINT for ø4 fluid tube - ø2.0 orifice   | 76.00  |
| 22   | 93683050 | FLUID JOINT for ø6 fluid tube                  | 76.00  |
| 23   | 93810080 | PATTERN ADJ. SET                               | 202.00 |
| 23-1 | 96997012 | O RING   | 8.00   |
| 23-2 | 96997011 | O RING   | 8.00   |
| 24   | 93510080 | HOOK   | 95.00  |
| 25   | 93684010 | TRIGGER SCREW                                  | 17.00  |
| 26   | 96350316 | BOLT   | 3.00   |
| 27   | 96500304 | SPRING WASHER                                  | 3.00   |
| 28   | 96382032 | NUT  | 3.00   |





INDUSTRIAL APPLICATIONS - Price List 2017  
Ed.02 June 2017

2

# Electrostatic Spray Gun

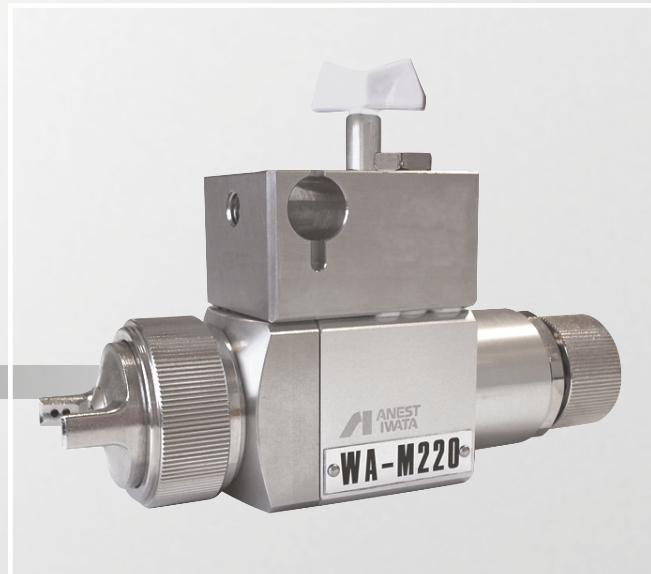


# AUTOMATIC SPRAY GUNS

## General Purpose



## Robot Application



## Special Purpose



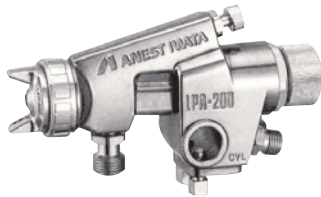
## WA-200 | WA-101 | LPA-200 | LPA-101



WA-200



WA-101



LPA-200



LPA-101

| TECHNICAL                   | Ø mm          | No. | bar/psi  | m <sup>3</sup> /min | CFM  | mm  |
|-----------------------------|---------------|-----|----------|---------------------|------|-----|
|                             | <b>WA-200</b> |     |          |                     |      |     |
| WA-200-082P                 | 0.8           | G2P | 3.0/43.5 | 500                 | 18.7 | 400 |
| WA-200-102P                 | 1.0           |     |          |                     |      |     |
| WA-200-122P                 | 1.2           |     |          |                     |      |     |
| WA-200-152P                 | 1.5           |     |          |                     |      |     |
| WA-200-202P                 | 2.0           |     |          |                     |      |     |
| WA-200-251P                 | 2.5           | W1  | 500      | 13.5                | 330  |     |
| <b>WA-101</b>               |               |     |          |                     |      |     |
| WA-101-082P                 | 0.8           | E2P | 3.0/43.5 | 150                 | 9.5  | 190 |
| WA-101-101P                 | 1.0           | E1  | 3.0/43.5 | 100                 | 3.2  | 140 |
| WA-101-102P                 | 1.0           | E2P | 3.0/43.5 | 200                 | 9.5  | 220 |
| WA-101-132P                 | 1.3           | H2  | 3.0/43.5 | 250                 | 9.2  | 230 |
| <b>WA-101 ROUND PATTERN</b> |               |     |          |                     |      |     |
| WA-101R-05P                 | 0.5           | RP  | 3.0/43.5 | 20                  | 1.4  | 35  |
| <b>LPA-200</b>              |               |     |          |                     |      |     |
| LPA-200-122P                | 1.2           | G2  | 2.0/29   | 500                 | 17.7 | 300 |
| <b>LPA-101</b>              |               |     |          |                     |      |     |
| LPA-101-101P                | 1.0           | E1  | 2.7/39   | 150                 | 15.2 | 200 |

Air Nipple: G1/4" • Fluid Nipple: G1/4"

### ORDER Information - WA-200

| WA-200              | Ø 0.8           | Ø 1.0    | Ø 1.2    | Ø 1.5           | Ø 2.0          | Ø 2.5          | \$     |
|---------------------|-----------------|----------|----------|-----------------|----------------|----------------|--------|
| AUTOMATIC SPRAY GUN | 5603            | 5604     | 5605     | 5610            | 5615           | 5620           | 611.00 |
| NOZZLE + NEEDLE SET | 93853620        | 93855620 | 93820620 | 93821620        | 93822620       | 93824620       | 122.00 |
| AIR CAP SET         | G2P<br>93818611 |          |          | -               | -              | -              | 110.00 |
| AIR CAP SET         | -               |          |          | K2<br>938166111 | R2<br>93814611 | W1<br>93813611 | 101.00 |

### WA-200 ZP

|                        | Ø 1.5     | Ø 2.0    | Ø 2.5    | \$     |
|------------------------|-----------|----------|----------|--------|
| GUN FOR ABRASIVE PAINT | 5627      | 5625     | 5626     | 993.00 |
| NOZZLE + NEEDLE SET    | WA-200-X2 | 93836620 | 93838620 | 593.00 |
| AIR CAP SET - R1Z      | 93871611  |          |          | 208.00 |

### ORDER Information - WA-101

| WA-101              | Ø 0.8           | Ø 1.0          | Ø 1.3          | Ø 0.5 RP           | \$     |
|---------------------|-----------------|----------------|----------------|--------------------|--------|
| AUTOMATIC SPRAY GUN | 5606B           | 5438B          | 5440B          | 5441B              | 529.00 |
| NOZZLE + NEEDLE SET | 93811621        | 93808621       | 93813621       | 93816621           | 104.00 |
| AIR CAP SET         | E2P<br>93704610 | -              | -              | -                  | 93.00  |
| AIR CAP SET         | -               | E1<br>93689610 | -              | -                  | 82.00  |
| AIR CAP SET         | -               | -              | H2<br>93696610 | -                  | 84.00  |
| AIR CAP SET         | -               | -              | -              | WA101R<br>93815622 | 93.00  |

### ORDER Information - LPA-200

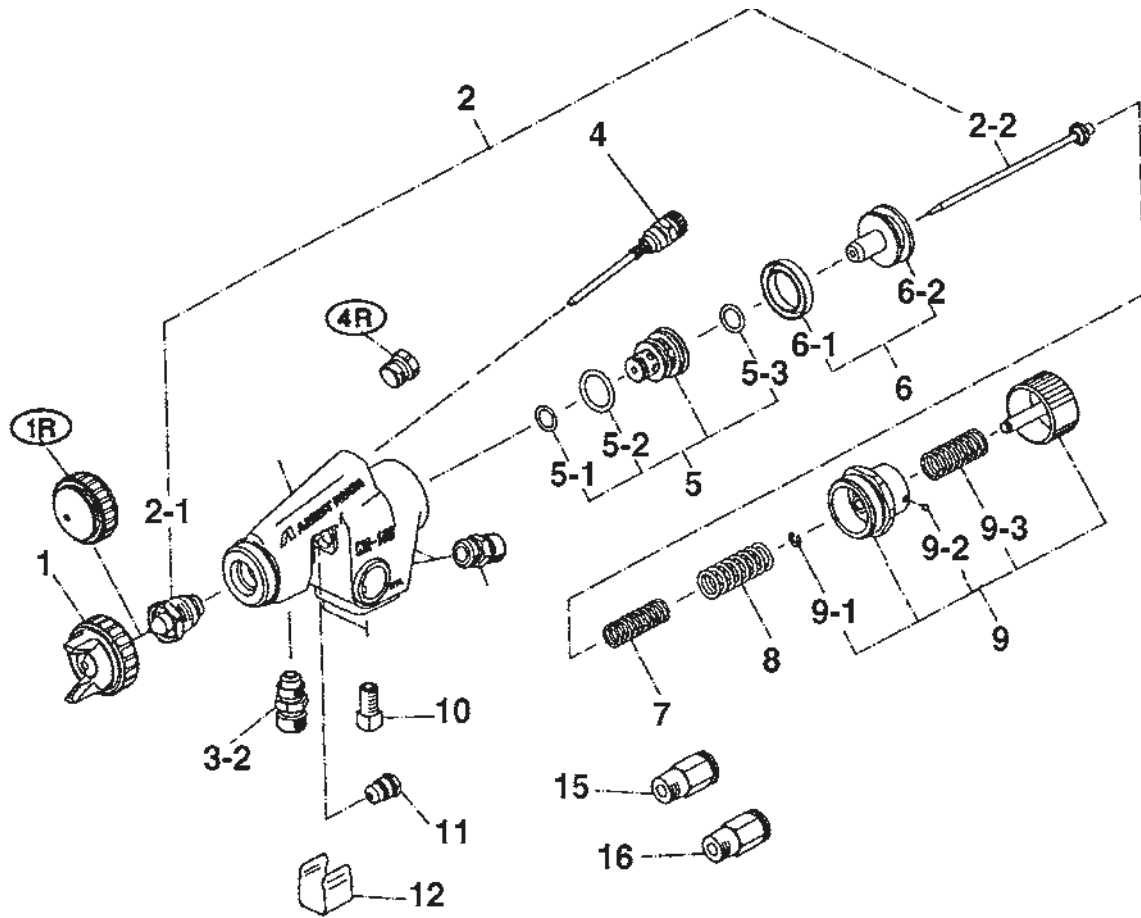
|                        | Ø 1.2          | \$       |
|------------------------|----------------|----------|
| AUTO. GUN LPA-200-122P | 5308           | 1,002.00 |
| NOZZLE + NEEDLE SET    | 93826620       | 155.00   |
| AIR CAP SET            | G2<br>93822601 | 152.00   |

### ORDER Information - LPA-101

|                        | Ø 1.0          | \$     |
|------------------------|----------------|--------|
| AUTO. GUN LPA-101-101P | 5306B          | 810.00 |
| NOZZLE + NEEDLE SET    | 93818620       | 155.00 |
| AIR CAP SET            | E1<br>93832532 | 115.80 |







**SPARE PARTS**

| Ref.                | Code         | Description                         | Size            |        |        |         |         | \$     |
|---------------------|--------------|-------------------------------------|-----------------|--------|--------|---------|---------|--------|
|                     |              |                                     |                 | WA-200 | WA-101 | LPA-200 | LPA-101 |        |
| 1                   |              | AIR CAP SET                         |                 | X      | X      | X       | X       | P. 64  |
| 2                   |              | NOZZLE + NEEDLE SET                 |                 | X      | X      | X       | X       | P. 64  |
| 2-2                 | 93644620     | SPECIAL NEEDLE with TIP in Delrin   |                 | X      |        |         |         | 164.00 |
|                     | 9W-200-X17-1 | NEEDLE TIP in Delrin                | ø 0.8; 1.0; 1.2 | X      |        |         |         | 76.00  |
| 3-1                 | 93502620     | AIR NIPPLE G 1/4"                   | ø 0.8; 1.0; 1.2 | X      | X      | X       | X       | 14.00  |
| 3-2                 | 93515600     | FLUID NIPPLE                        | G 3/8"          | X      |        |         |         | 17.00  |
| 3-2                 | 93584530     | FLUID NIPPLE                        | G 1/4"          | X      | X      | X       | X       | 16.00  |
| 4                   | 93801621     | SPREAD ADJ. SET                     |                 |        | X      |         |         | 33.00  |
| 4                   | 93801621     | FAN ADJUSTING SET                   |                 |        |        |         | X       | 33.00  |
| 4                   | 93812640     | PATTERN ADJ. SET for Remote Control |                 | X      | X      | X       |         | 298.00 |
| 4                   | 93812621     | PATTERN ADJ. SET                    |                 | X      |        | X       |         | 35.00  |
| 4R                  | 93625370     | BLANK SCREW                         |                 |        | X      |         |         | 19.00  |
| 5                   | 93805620     | AIR VALVE SEAT SET                  |                 | X      | X      | X       | X       | 63.00  |
| 5-1;<br>5-2;<br>5-3 | 93849620     | O RING SET                          |                 | X      | X      | X       | X       | 14.00  |
| 6-1                 | 93903440     | PISTON PACKING SET                  | 2 pcs./1 pk.    | X      | X      | X       | X       | 20.00  |
| 6-2                 | 93511580     | PISTON                              |                 | X      | X      | X       | X       | 6.00   |
| 7                   | 93514580     | NEEDLE SPRING                       |                 | X      | X      | X       | X       | 6.00   |
| 8                   | 93513580     | PISTON SPRING                       |                 | X      | X      | X       | X       | 6.00   |
| 9                   | 93840581     | FLUID ADJ. SET                      |                 | X      | X      | X       | X       | 133.00 |

| Ref. | Code     | Description               | Size         |        |        |         |         | \$     |
|------|----------|---------------------------|--------------|--------|--------|---------|---------|--------|
|      |          |                           |              | WA-200 | WA-101 | LPA-200 | LPA-101 |        |
| 9-1  | 93912030 | E STOPPER                 | 2 pcs./1 pk. | X      | X      | X       | X       | 4.00   |
| 9-2  | 93914730 | BALL                      | 2 pcs./1 pk. | X      | X      | X       | X       | 4.00   |
| 9-3  | 93104420 | FLUID ADJ. SPRING         |              | X      | X      | X       | X       | 8.00   |
| 10   | 93811580 | BOLT SET                  |              | X      | X      | X       | X       | 21.00  |
| 10-1 | 93810580 | BOLT CAP                  |              |        |        |         | X       | 14.00  |
| 11   | 93765610 | NEEDLE PACKING CARTRIDGE  |              | X      | X      | X       |         | 36.00  |
| 11   | 93765610 | NEEDLE PACKING SET        |              |        |        |         | X       | 36.00  |
| 12   | 93522581 | COVER                     |              | X      | X      | X       |         | 14.00  |
| 12   | 93522581 | COVER                     |              |        |        |         | X       | 14.00  |
| 15   | 96801162 | HALF UNION ø 6 mm         |              | X      | X      | X       | X       | 20.00  |
| 16   | 96801182 | HALF UNION ø 8 mm         |              | X      | X      | X       | X       | 20.00  |
|      | 93834580 | AIR VALVE SEAT AXIS TOOL  |              | X      | X      | X       | X       | 203.00 |
|      | 93576530 | AIR CAP "L" PACKING BLACK |              |        | X      | X       |         | 5.00   |
|      | 93708240 | AIR CAP PACKING WHITE     |              | X      |        |         |         | 5.00   |
|      | 93512600 | AIR CAP L PACKING BLACK   |              | X      |        |         |         | 6.00   |
|      | 93858620 | LOCKNUT FLUID ADJUST KNOB |              |        | X      | X       |         | 152.00 |
|      | 96990600 | BRUSH                     |              |        | X      | X       | X       | 4.00   |
|      | 93538600 | GUN WRENCH                |              |        | X      | X       | X       | 17.00  |



## WRA-101 | WRA-200 | LRA-200



**WRA-101**



**WRA-200**



**LRA-200**

| TECHNICAL      |      |     |                          |        |      |     |
|----------------|------|-----|--------------------------|--------|------|-----|
|                | Ø mm | No. | bar/psi                  | ml/min | CFM  | mm  |
| <b>WRA-101</b> |      |     |                          |        |      |     |
| WRA-101-082P   | 0.8  | E2P | CAP 2.7/39<br>FAN 2.1/31 | 20     | 9.5  | 190 |
| <b>WRA-200</b> |      |     |                          |        |      |     |
| WRA-200-122P   | 1.2  | G2P | CAP 2.7/39<br>FAN 2.3/34 | 500    | 18.7 | 400 |
| <b>LRA-200</b> |      |     |                          |        |      |     |
| LRA-200-082P   | 0.8  | G2  | CAP 1.6/23<br>FAN 1.4/20 | 400    | 17.7 | 250 |
| LRA-200-122P   | 1.2  |     |                          | 500    |      | 300 |

**WRA-101** Air Nipple: Rc 1/4" • Fluid Nipple: Rc 1/4"  
**WRA/LRA-200** Air Nipple: Rc 1/8" • Fluid Nipple: Rc 1/8"

### ORDER Information - WRA-101

| <b>WRA-101</b>      | Ø 0.8    | Ref. | \$       |
|---------------------|----------|------|----------|
| AUTOMATIC SPRAY GUN | 5630B    | -    | 1,230.00 |
| NOZZLE + NEEDLE SET | 93831621 | 2    | 95.00    |
| AIR CAP SET - E2P   | 93704610 | 1    | 93.00    |

### ORDER Information - WRA-200

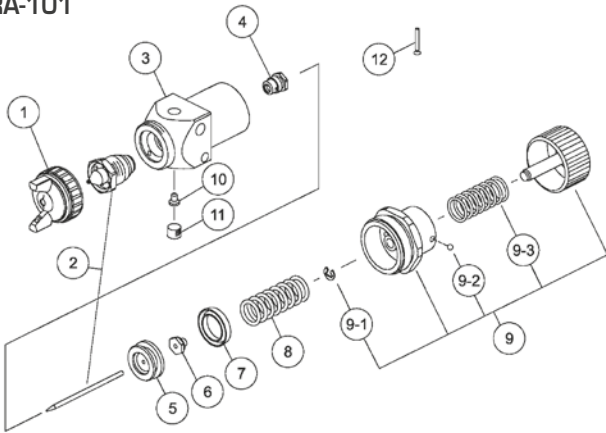
| <b>WRA-200</b>      | Ø 1.2    | Ref. | \$       |
|---------------------|----------|------|----------|
| AUTOMATIC SPRAY GUN | 5635     | -    | 1,292.00 |
| NOZZLE + NEEDLE SET | 93834620 | 2    | 101.00   |
| AIR CAP SET - G2P   | 93818611 | 1    | 110.00   |

### ORDER Information - LRA-200

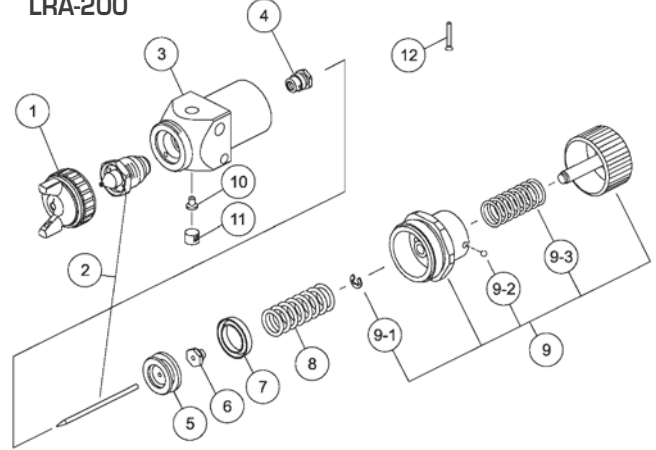
| <b>LRA-200</b>                   | Ø 0.8    | Ø 1.2    | Ref. | \$       |
|----------------------------------|----------|----------|------|----------|
| AUTOMATIC SPRAY GUN LRA-200-082P | 5636     | -        | -    | 1,583.00 |
| AUTOMATIC SPRAY GUN LRA-200-122P | -        | 5307     | -    | 1,518.00 |
| NOZZLE + NEEDLE SET              | 93857620 | -        | 2    | 144.00   |
| NOZZLE + NEEDLE SET              | -        | 93835620 | 2    | 139.00   |
| AIR CAP SET - G2                 | 93822601 |          | 1    | 152.00   |



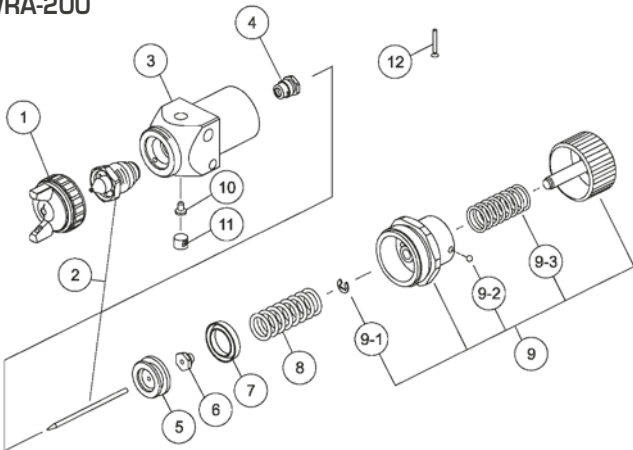
**WRA-101**



**LRA-200**



**WRA-200**



**SPARE PARTS**

| Ref. | Code     | Description                   | WRA-101 | WRA-200 | LRA-200 | \$     |
|------|----------|-------------------------------|---------|---------|---------|--------|
| 1    | 93704610 | AIR CAP SET E2P               | X       |         |         | 93.00  |
| 1    | 93818611 | AIR CAP SET G2P               |         | X       |         | 110.00 |
| 1    | 93822601 | AIR CAP SET G2                |         |         | X       | 152.00 |
| 2    |          | NOZZLE/NEEDLE SET             | X       | X       | X       | P.66   |
| 4    | 93847580 | NEEDLE PACKING SET            | X       | X       | X       | 113.00 |
| 5    | 93629570 | PISTON                        | X       | X       | X       | 55.00  |
| 6    | 93455230 | NUT                           | X       | X       | X       | 16.00  |
| 7    | 93903440 | PISTON PACKING (2 pcs./1 pk.) | X       | X       | X       | 20.00  |
| 8    | 94003880 | PISTON SPRING                 | X       | X       | X       | 47.00  |
| 9    | 93840581 | FLUID ADJUSTMENT SET          | X       |         |         | 133.00 |
| 9    | 93840581 | FLUID ADJUSTMENT SET          |         | X       | X       | 133.00 |
| 9-1  | 93912030 | STOPPER (2 pcs./1 pk.)        | X       | X       | X       | 4.00   |
| 9-2  | 93914730 | BALL (2 pcs./1 pk.)           | X       | X       | X       | 4.00   |
| 9-3  | 93104420 | FLUID ADJ. SPRING             | X       | X       | X       | 8.00   |
| 10   | 93526620 | PLUG                          | X       | X       | X       | 33.00  |
| 11   | 96990440 | PLUG WITH HEXAGON HOLE        | X       | X       | X       | 7.00   |
| 12   | 96172529 | SCREW                         | X       | X       | X       | 3.00   |



## WA-M220 | WA-M220-L WITHOUT MANIFOLD



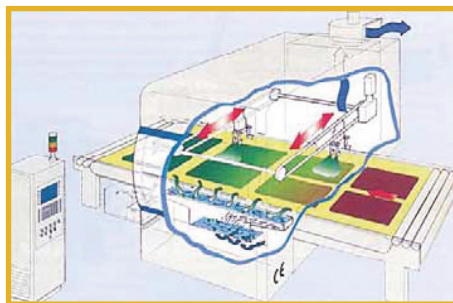
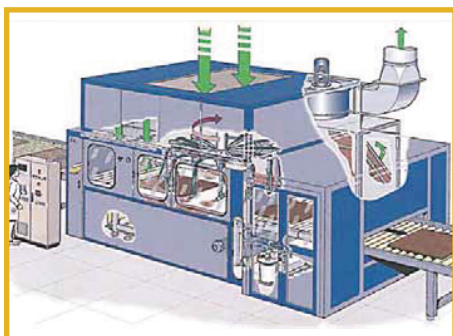
### FEATURES

#### HIGH ATOMIZATION

- Patented split nozzle technology
- High transfer efficiency with ANEST IWATA air cap technology
- Able to handle the most difficult water base & solvent borne fluid materials with minimum overspray

#### EASY TO USE

- No need to use solenoid valve: atomization & fan air close together with air piston
- Two step detachment technique: remarkable reduction of production downtime
- Quick air cap disassembly
- Index (90° - 180°) air cap
- 16 position fluid needle adjustment



### TECHNICAL



| WA-M220 STANDARD SIZED ATOMIZER (WITHOUT MANIFOLD) |                       |     |          |        |      |     |
|--|-----------------------|-----|----------|--------|------|-----|
| Model  | Ø mm                  | No. | bar/psi  | m³/min | CFM  | mm  |
| WA-M220  | 0.4 - 0.6 - 0.8 - 1.0 | LV2 | 2.4/34.8 | 100    | 12.7 | 155 |
| WA-M220  | 1.5 - 1.6             | G2P |          | 500    | 18.7 | 400 |
| WA-M220WB WATER BASED VERSION (WITHOUT MANIFOLD)   |                       |     |          |        |      |     |
| Model  | Ø mm                  | No. | bar/psi  | m³/min | CFM  | mm  |
| WA-M220WB-081                                      | 0.8                   | WB1 | 1.5/21.8 | 200    | 12   | 300 |
| WA-M220WB-101                                      | 1.0                   |     |          | 250    |      | 320 |
| WA-M220WB-121                                      | 1.2                   |     |          | 250    |      | 330 |
| WA-M220WB-141                                      | 1.4                   |     |          | 300    |      | 340 |
| WA-M220WB-161                                      | 1.6                   |     |          | 300    |      | 350 |
| WA-M220-L SMALL SIZED ATOMIZER (WITHOUT MANIFOLD)  |                       |     |          |        |      |     |
| Model  | Ø mm                  | No. | bar/psi  | m³/min | CFM  | mm  |
| WA-M220-L044                                       | 0.4                   | E4  | 0.8/11.6 | 10     | 2.1  | 55  |
| WA-M220-L064                                       | 0.6                   |     |          | 30     |      | 80  |
| WA-M220-L084                                       | 0.8                   |     |          | 45     |      | 100 |
| WA-M220-L104                                       | 1.0                   |     |          | 60     |      | 130 |
| WA-M220-L124                                       | 1.2                   |     |          | 75     |      | 140 |

Air & Fluid Manifold Connection: G 1/8"

### ORDER Information - WA-M220 Series WITHOUT MANIFOLD

| WA-M220             | Ø 0.4    | Ø 0.6    | Ø 0.8    | Ø 1.0    | Ø 1.5    | Ø 1.6    | Ref. | \$     |
|---------------------|----------|----------|----------|----------|----------|----------|------|--------|
| WITHOUT MANIFOLD    | 5160     | 5161     | 5482     | 5162     | 5163     | 5164     | -    | 794.00 |
| NOZZLE + NEEDLE SET | 93006850 | 93006860 | 93006660 | 93006670 | 93006680 | 93006870 | 2    | 142.00 |
| AIR CAP SET (LV2)   | 93006500 |          |          |          | -        | -        | 1    | 120.00 |
| AIR CAP SET (G2P)   | -        | -        | -        | -        | 93006460 |          | 1    | 148.00 |

| WA-M220 WB          | Ø 0.8    | Ø 1.0    | Ø 1.2    | Ø 1.4    | Ø 1.6    | Ref. | \$     |
|---------------------|----------|----------|----------|----------|----------|------|--------|
| WITHOUT MANIFOLD    | 5170     | 5171     | 5172     | 5173     | 5174     | -    | 962.00 |
| NOZZLE + NEEDLE SET | 93006750 | 93006760 | 93006770 | 93006780 | 93006790 | 2    | 221.00 |
| AIR CAP SET (WB1)   | 93006520 |          |          |          | -        | 1    | 209.00 |

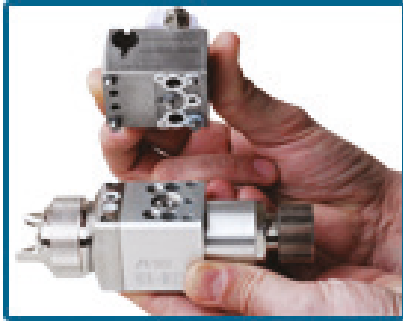
| WA-M220 L           | Ø 0.4    | Ø 0.6    | Ø 0.8    | Ø 1.0    | Ø 1.2    | Ref. | \$       |
|---------------------|----------|----------|----------|----------|----------|------|----------|
| WITHOUT MANIFOLD    | 5180     | 5180     | 5483     | 5182     | 5183     | -    | 1,100.00 |
| NOZZLE + NEEDLE SET | 93984890 | 93984900 | 93984910 | 93984920 | 93984930 | 2    | 170.00   |
| AIR CAP SET (E4)    | 93662600 |          |          |          | -        | 1    | 119.00   |

| AIR CAP CONVERSION KIT | Ø 0.4    | Ø 0.6    | Ø 0.8    | Ø 1.0    | Ø 1.2    | Ref.        | \$     |
|------------------------|----------|----------|----------|----------|----------|-------------|--------|
|                        | 93984830 | 93984840 | 93984850 | 93984860 | 93984870 | 21+21-1+1+2 | 300.00 |

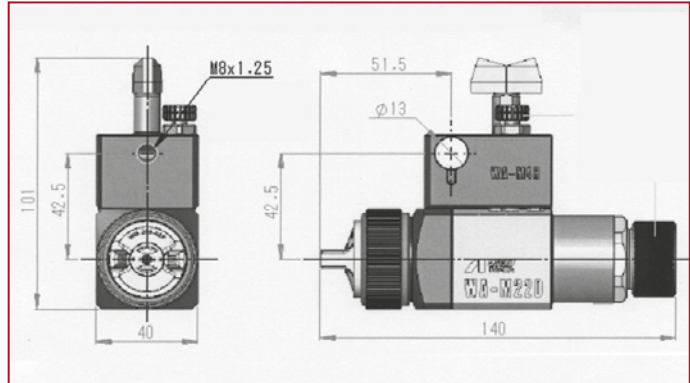


**Easy to Maintain**

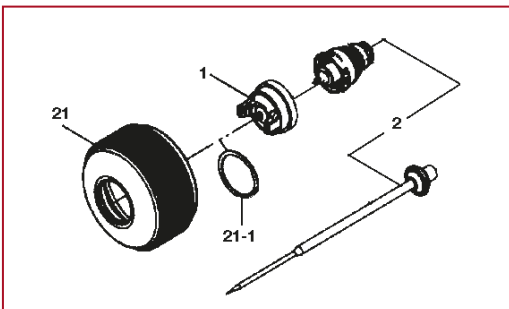
- Simple quick disassembly from manifold
- Fluid needle and air piston disassembled from rear of spray gun
- Smooth stainless steel fluid passages to comply with all water-based materials



**Dimensions**

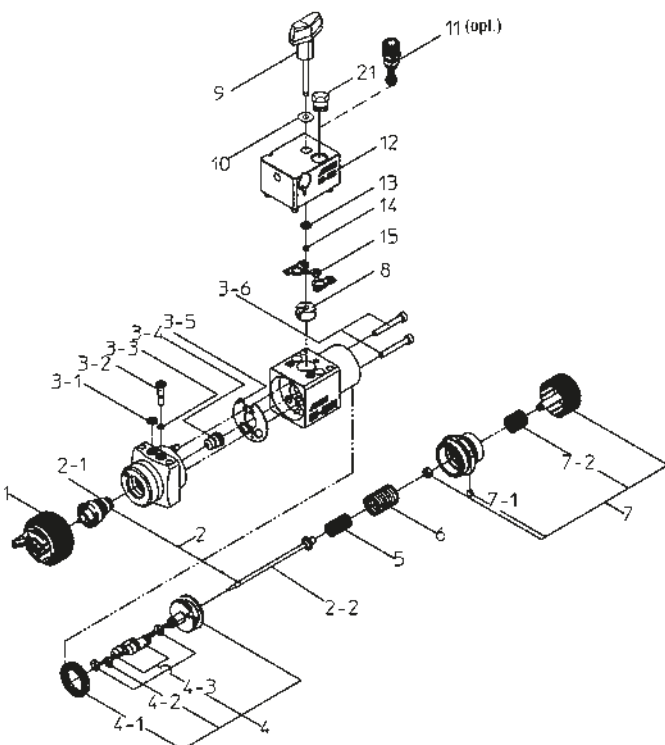


**AIR CAP Conversion Kit**



**SPARE PARTS**

| Ref. | Code      | Description              |              | \$     |
|------|-----------|--------------------------|--------------|--------|
| 21   | 93984880  | AIR CAP COVER SET        | WA-M220L     | 135.00 |
| 21-1 | 93512600  | AIR CAP PACKING          | WA-M220L     | 6.00   |
|      | 5488      | MANIFOLD UNIT SET        |              | 299.00 |
| 3-1  | 96639506  | O RING                   |              | 10.00  |
| 3-2  | 93570630  | PLUG                     |              | 18.00  |
| 3-3  | 93570640  | O RING                   |              | 14.00  |
| 3-4  | 93765610  | NEEDLE PACKING CARTRIDGE |              | 36.00  |
| 3-5  | 93008640  | SPRAY GUN UNIT SEAL      |              | 22.00  |
| 3-6  | 96365043  | HEX SOCKET HEAD BOLT     |              | 13.00  |
| 4    | 93008650  | PISTON SET               |              | 170.00 |
| 4-1  | 93903440  | PISTON PACKING SET       | 2 pcs./1 pk. | 20.00  |
| 4-2  | 96631005  | O RING                   |              | 3.00   |
| 4-3  | 93008670  | AIR VALVE                |              | 55.00  |
| 5    | 93514580  | NEEDLE SPRING            |              | 6.00   |
| 6    | 93513580  | PISTON SPRING            |              | 6.00   |
| 7    | 93565630  | FLUID ADJUSTMENT SET     |              | 146.00 |
| 7-1  | 96666015  | BALL                     |              | 21.00  |
| 7-2  | 93104420  | FLUID ADJUSTMENT SPRING  |              | 8.00   |
| 8    | 93010400  | FILLER NUT BLOCK         |              | 48.00  |
| 9    | 93009680  | WING BOLT SET            |              | 43.00  |
| 10   | 93009690  | WASHER                   |              | 26.00  |
| 11   | 93009620  | PATTERN ADJ. SET         |              | 24.00  |
| 13   | 93009580  | TURN SHAFT WASHER        |              | 12.00  |
| 14   | W3COM2051 | RETAINING RING           |              | 1.00   |
| 15   | 93009640  | MANIFOLD SEAL            |              | 23.00  |



## WA-1218 | WA-0915 | WA-0609 WITH EXTENSION NOZZLE

### TECHNICAL



| WA-1218   WA-0915   WA-0609 |     |              |    |     |    |
|-----------------------------|-----|--------------|----|-----|----|
| WA-1218                     | 0.6 | 3.0/<br>43.5 | 17 | 2.6 | 48 |
| WA-0915                     | 0.5 |              | 9  | 1.9 | 36 |
| WA-0609                     | 0.5 |              | 6  | 1.7 | 32 |

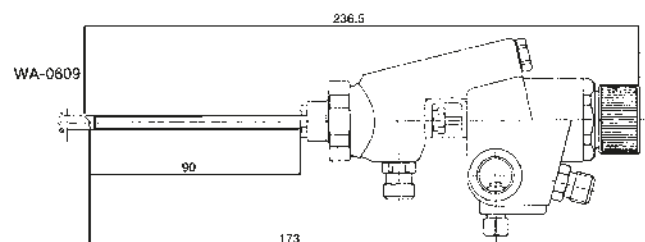
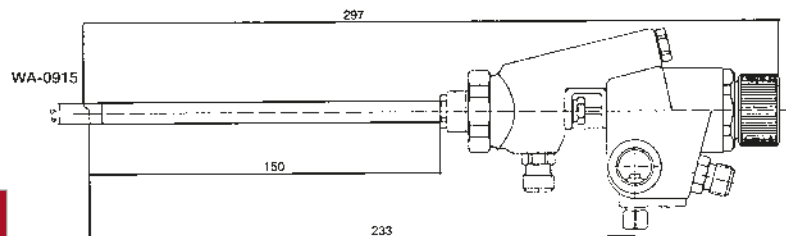
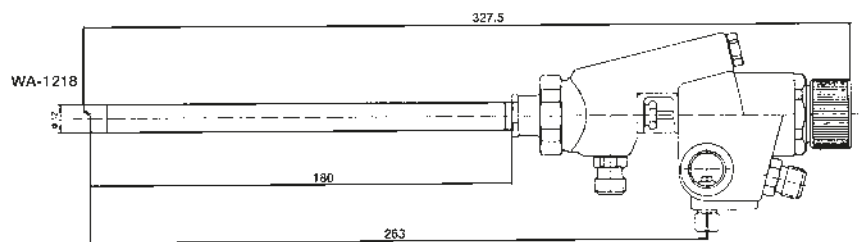
Air Nipple: G1/4" • Fluid Nipple: G1/4"



WA-1218

### ORDER Information - WA-1218 | WA-0915 | WA-0609

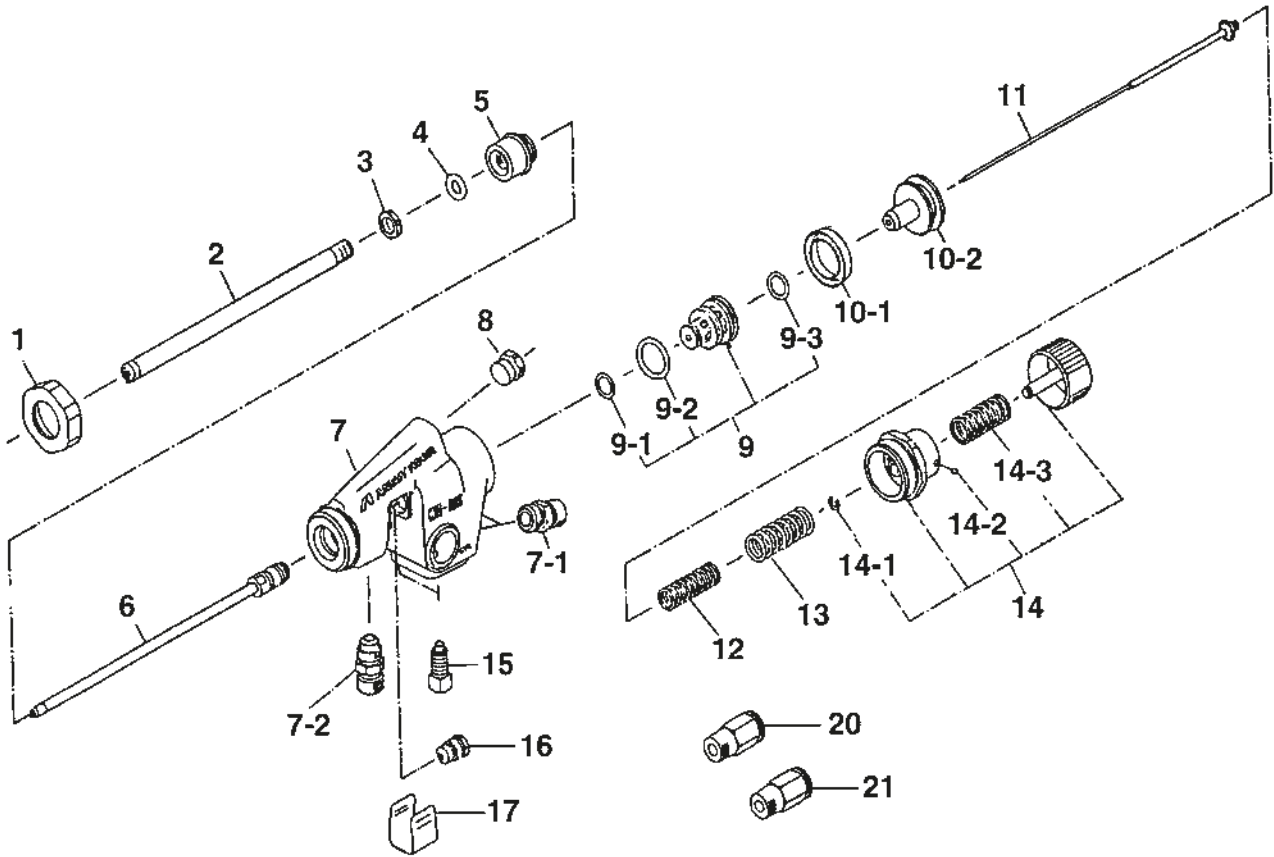
| Models              | WA-1218  | WA-0915  | WA-0609  | Ref. | \$     |
|---------------------|----------|----------|----------|------|--------|
|                     | Ø 0.6    | Ø 0.5    | Ø 0.5    |      |        |
| AUTOMATIC SPRAY GUN | 5443     | 5444     | 5445     | -    | 792.00 |
| AIR PIPE SET        | 93839620 | 93842620 | -        | 2    | 163.00 |
| AIR PIPE SET        | -        | -        | 93845620 | 2    | 159.00 |
| FLUID PIPE SET      | 93840620 | 93843620 | -        | 6    | 163.00 |
| FLUID PIPE SET      | -        | -        | 93846620 | 6    | 159.00 |
| FLUID NEEDLE SET    | 93841620 | -        | 93847620 | 11   | 136.00 |
| FLUID NEEDLE SET    | -        | 93844620 | -        | 11   | 136.00 |



### Dimensions

|         | Pipe length<br>mm | Pipe diameter<br>Ø mm |
|---------|-------------------|-----------------------|
| WA-1218 | 180               | 12                    |
| WA-0915 | 150               | 9                     |
| WA-0609 | 90                | 6                     |





**SPARE PARTS**

| Ref.          | Code      | Description                     |                 | \$    |
|---------------|-----------|---------------------------------|-----------------|-------|
| 1             | 93850620  | COVER                           |                 | 66.00 |
| 3             | 93543620  | HEX. NUT                        | WA-0915         | 26.00 |
| 3             | 03550620  | HEX. NUT                        | WA-0609         | 26.00 |
| 3             | 03535620  | HEX. NUT                        | WA-1218         | 28.00 |
| 4             | 06637609  | O RING                          | WA-0915         | 10.00 |
| 4             | 06637696  | O RING                          | WA-0609         | 11.00 |
| 4             | 06637612  | O RING                          | WA-1218         | 11.00 |
| 5             | 03545620  | AIR PIPE SEAT                   | WA-0915         | 66.00 |
| 5             | 03552620  | AIR PIPE SEAT                   | WA-0609         | 66.00 |
| 5             | 03538620  | AIR PIPE SEAT                   | WA-1218         | 66.00 |
| 7-1           | 03502620  | AIR NIPPLE                      | G 1/4"          | 14.00 |
| 7-2           | 03584530  | FLUID NIPPLE                    | G 1/4" - 1/4"   | 16.00 |
| 7-2           | 03515600S | SPECIAL FLUID NIPPLE (AISI 303) | G 1/4" - G 3/8" | 18.00 |
| 8             | 93625370  | BLANK SCREW                     |                 | 19.00 |
| 9             | 03805620  | AIR VALVE SEAT SET              |                 | 63.00 |
| 9-1, 9-2, 9-3 | 03849620  | O RING SET                      |                 | 14.00 |

| Ref. | Code     | Description              |              | \$     |
|------|----------|--------------------------|--------------|--------|
| 10-1 | 03903440 | PISTON PACKING SET       | 2 pcs./1 pk. | 20.00  |
| 10-2 | 03511580 | PISTON                   |              | 36.00  |
| 12   | 03514580 | NEEDLE SPRING            |              | 6.00   |
| 13   | 03513580 | PISTON SPRING            |              | 6.00   |
| 14   | 93840581 | FLUID ADJUSTMENT SET     |              | 133.00 |
| 14-1 | 03912030 | E STOPPER                | 2 pcs./1 pk. | 4.00   |
| 14-2 | 03914730 | BALL                     | 2 pcs./1 pk. | 4.00   |
| 14-3 | 03104420 | FLUID ADJ. SPRING        |              | 8.00   |
| 15   | 03811580 | BOLT SET                 |              | 21.00  |
| 16   | 93765610 | NEEDLE PACKING CARTRIDGE |              | 36.00  |
| 17   | 93522581 | COVER                    |              | 14.00  |
|      | 96990600 | BRUSH                    |              | 4.00   |
| 20   | 06801162 | HALF UNION ø INNER 6 mm  |              | 20.00  |
| 21   | 06801182 | HALF UNION ø INNER 8 mm  |              | 20.00  |
|      | 93834580 | AIR VALVE SEAT AXIS TOOL |              | 203.00 |



## TOF-5B | TOF-5RB | TOF-6B | TOF-6RB



### FEATURES

#### SPECIFICS TO ATOMIZE LIQUIDS

- Designed to atomize liquids such as water, oil, ink, adhesives, air fresheners and other chemicals

### TECHNICAL

|                                     | Ø mm | No. | bar/psi  | ml/min | CFM | CFM   | mm  | mm    |
|-------------------------------------|------|-----|----------|--------|-----|-------|-----|-------|
| TOF-5B   TOF-5RB   TOF-6B   TOF-6RB |      |     |          |        | FAN | ROUND | FAN | ROUND |
| TOF-5B/5RB   TOF-6B/6RB             | 0.5  | 05  | 3.0/43.5 | 60     | 2.1 | 1.4   | 200 | 50    |
| TOF-5B/5RB   TOF-6B/6RB             | 1.0  | 10  |          | 250    | 2.8 | 1.8   | 250 | 70    |
| TOF-5B/5RB   TOF-6B/6RB             | 1.3  | 13  |          | 360    | 3.5 | 1.9   | 350 | 80    |
| TOF-5B/5RB   TOF-6B/6RB             | 2.0  | 20  |          | 600    | 4.9 | 3.0   | 400 | 90    |

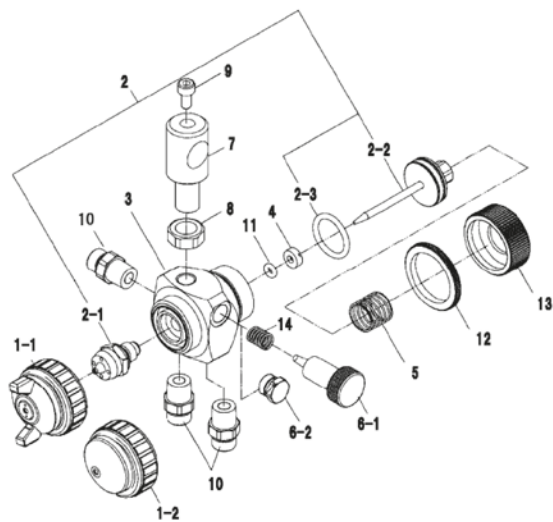
Air Nipple: G 1/8" • Fluid Nipple: G 1/8"

### ORDER Information - TOF-5B | TOF-5RB | TOF-6B | TOF-6RB

|                         | Ø 0.5    | Ø 1.0    | Ø 1.3    | Ø 2.0    | Ref. | \$     |
|-------------------------|----------|----------|----------|----------|------|--------|
| TOF-5B                  | 5450B    | 5451B    | 5452B    | 5453B    | -    | 362.00 |
| TOF-5RB                 | 5455B    | 5456B    | 5457B    | 5458B    | -    | 362.00 |
| TOF-6B                  | 5460B    | 5461B    | 5462B    | 5463B    | -    | 394.00 |
| TOF-6RB                 | 5465B    | 5466B    | 5467B    | 5468B    | -    | 394.00 |
| NOZZLE + PISTON SET     | 93002800 | 93002710 | 93002600 | 93002750 | 2    | 104.00 |
| AIR CAP SET TOF-5B/6B   | 93031982 | 93038982 | 93001982 | 93047982 | 1    | 70.00  |
| AIR CAP SET TOF-5RB/6RB | 93061982 | 93063982 | 93055982 | 93065982 | 1-2  | 74.00  |

### ORDER Information - TOF-5 | TOF-5R | TOF-6 | TOF-6R - Spare Interchangeables

|                         | Ø 0.5    | Ø 1.0    | Ø 1.3    | Ø 2.0    | Ref. | Interchangeable B VERSION | \$     |
|-------------------------|----------|----------|----------|----------|------|---------------------------|--------|
| NOZZLE + PISTON SET     | 93033980 | 93041980 | 93006980 | 93049980 | 2    | NOT INTERCHANGEABLE       | 104.00 |
| AIR CAP SET TOF-5/TOF-6 | 93031980 | 93038980 | 93001980 | 93047980 | 1    | INTERCHANGEABLE           | 70.00  |
| AIR CAP SET TOF-5R/6R   | 93061980 | 93063980 | 93055980 | 93065980 | 1-2  |                           | 74.00  |



### SPARE PARTS (VERSION B)

| Ref. | Code     | Description           | \$    |
|------|----------|-----------------------|-------|
| 2-3  | 93903980 | O-RING (2 pcs./1 pk.) | 5.00  |
| 4    | 93015980 | O-RING SEAT           | 8.00  |
| 5    | 93195980 | PISTON SPRING         | 8.00  |
| 6-1  | 93002650 | PATTERN ADJ. SET      | 32.00 |
| 6-1  | 93057980 | PLUG                  | 15.00 |
| 7    | 93002671 | HOLDER                | 26.00 |
| 8    | 93213981 | HEXAGON NUT           | 9.00  |
| 9    | 96350612 | BOLT                  | 3.00  |
| 10   | 93023980 | NIPPLE                | 14.00 |
| 11   | 96997085 | O-RING                | 12.00 |
| 12   | 93024980 | JAM NUT               | 18.00 |
| 13   | 93002680 | FLUID ADJ. KNOB       | 24.00 |
| 14   | 93002660 | SPRING                | 8.00  |

### SPARE PARTS

(PREVIOUS VERSION - NOT SHOWN)

| Ref. | Code     | Description            | \$    |
|------|----------|------------------------|-------|
| 6-1  | 93016980 | PATTERN ADJUSTMENT SET | 32.00 |
| 7    | 93021981 | HOLDER                 | 26.00 |
| 9    | 96365060 | BOLT                   | 5.00  |
| 12   | 93024980 | JAM NUT                | 18.00 |
| 13   | 93025980 | FLUID ADJ. KNOB        | 24.00 |
| 14   | 93028980 | NUT                    | 10.00 |
| 15   | 93030980 | JOINT                  | 11.00 |







**TECHNICAL**

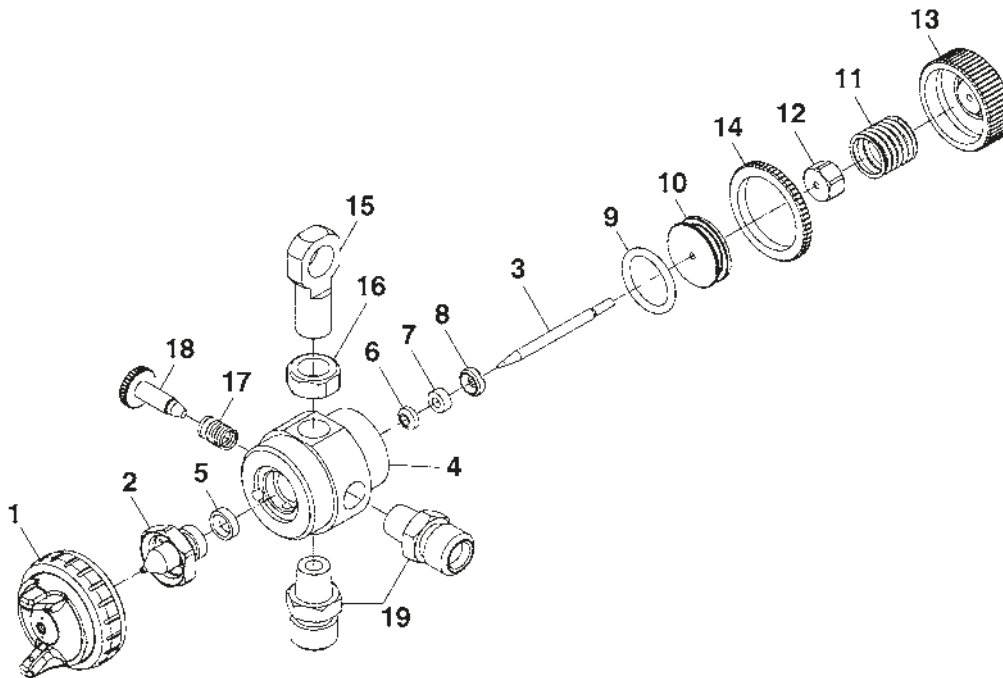


|         |     |    |          |    |     |     |
|---------|-----|----|----------|----|-----|-----|
| SGA-101 |     |    |          |    |     |     |
| SGA-101 | 1.0 | E1 | 3.0/43.5 | 95 | 2.8 | 250 |

Air Nipple: G1/4" • Fluid Nipple: G1/4"

**ORDER INFORMATION - SGA-101**

| Code  | Description                 | \$     |
|-------|-----------------------------|--------|
| 5442B | SGA-101 AUTOMATIC SPRAY GUN | 331.00 |



**SPARE PARTS**

| Ref. | Code     | Description              |              | \$    |
|------|----------|--------------------------|--------------|-------|
| 1    | 93689610 | AIR CAP - E1             |              | 82.00 |
| 2    | 93044980 | FLUID NOZZLE             |              | 99.00 |
| 3    | 93060980 | FLUID NEEDLE             |              | 14.00 |
| 5    | 93902980 | PACKING SET              | 2 pcs./1 pk. | 20.00 |
| 6-7  | 93900981 | FLUID NEEDLE PACKING SET |              | 17.00 |
| 8    | 93093160 | NEEDLE PACKING SEAT      |              | 11.00 |
| 9    | 93903980 | O RING SET               | 2 pcs./1 pk. | 5.00  |
| 10   | 93220980 | PISTON                   |              | 15.00 |
| 11   | 93223980 | SPRING                   |              | 10.00 |

| Ref. | Code     | Description         |  | \$    |
|------|----------|---------------------|--|-------|
| 12   | 93091980 | NUT                 |  | 8.00  |
| 13   | 93105981 | FLUID ADJ. KNOB     |  | 34.00 |
| 14   | 93024980 | JAM NUT             |  | 18.00 |
| 15   | 93240981 | BOLT                |  | 21.00 |
| 16   | 93213981 | HEXAGON NUT         |  | 9.00  |
| 17   | 93248980 | SPRING              |  | 8.00  |
| 18   | 93120981 | SPREAD ADJUST VALVE |  | 14.00 |
| 19   | 94013152 | JOINT               |  | 19.00 |

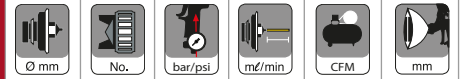


## COG-A200 | COG-R200



**COG-A200**

### TECHNICAL



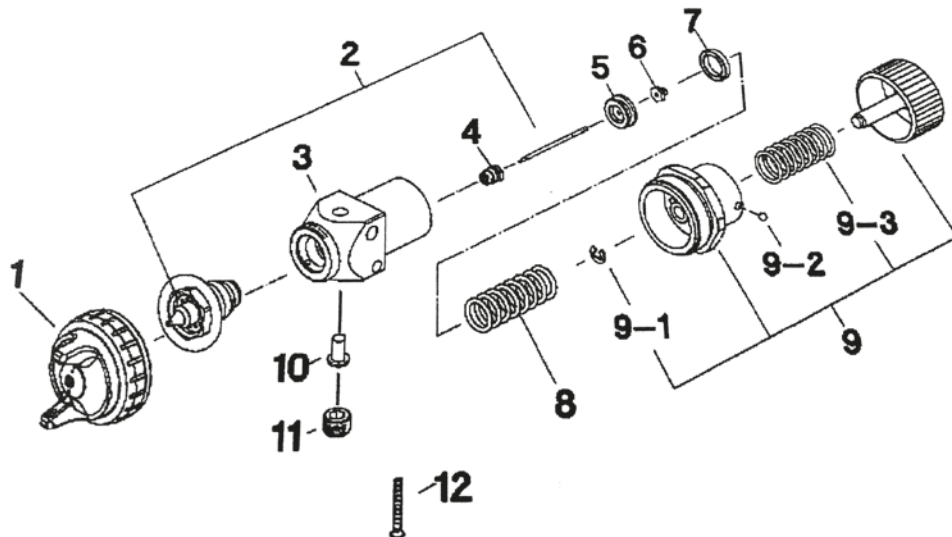
| COG-A200    |     |         |        |      |      |     |
|-------------|-----|---------|--------|------|------|-----|
| COG-A200-12 | 1.2 | COG-200 | 2.9/42 | 150  | 13.2 | 265 |
| COG-A200-18 | 1.8 |         |        | 250  |      | 390 |
| COG-R200    |     |         |        |      |      |     |
| COG-R200-12 | 1.2 | COG-200 | 2.9/42 | 150  | 9.8  | 265 |
| COG-R200-18 | 1.8 |         |        | 2/29 |      | 250 |

### ORDER Information - COG-A200

|                     | Ø 1.2           | Ø 1.8           | \$     |
|---------------------|-----------------|-----------------|--------|
| AUTOMATIC SPRAY GUN | 7602            | 7603            | 870.00 |
| NOZZLE + NEEDLE SET | 9COG-A200-12-20 | 9COG-A200-18-20 | 407.00 |
| AIR CAP SET         | 9COG-200-18-10  |                 | 192.00 |

### ORDER Information - COG-R200

|                     | Ø 1.2           | Ø 1.8           | \$       |
|---------------------|-----------------|-----------------|----------|
| AUTOMATIC SPRAY GUN | 7604            | 7605            | 1,300.00 |
| NOZZLE + NEEDLE SET | 9COG-R200-12-20 | 9COG-R200-18-20 | 407.00   |
| AIR CAP SET         | 9COG-200-18-10  |                 | 192.00   |

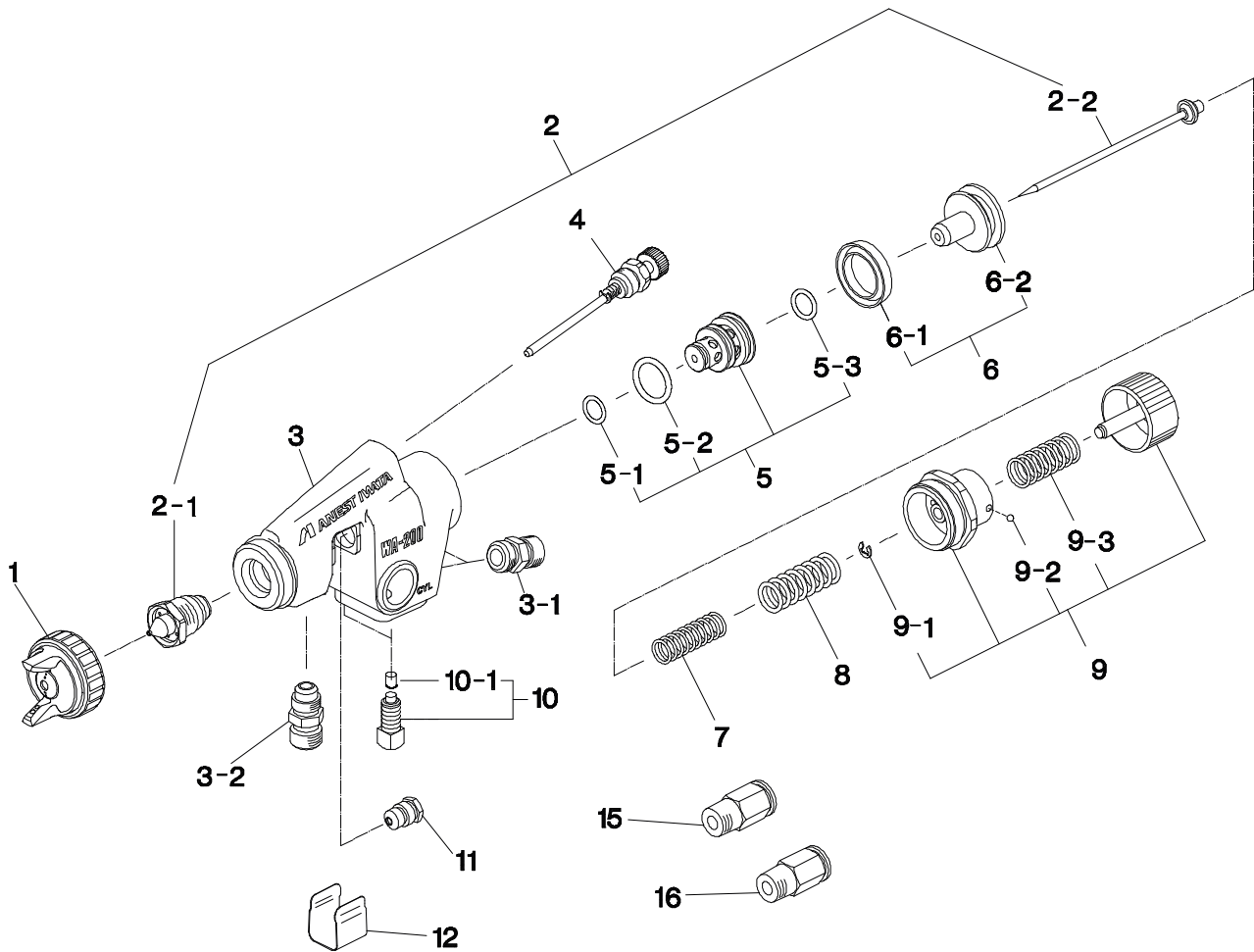


### SPARE PARTS COG-R200

| Ref. | Code            | Description                     | \$     |
|------|-----------------|---------------------------------|--------|
| 1    | 9COG-200-18-10  | COG-200 AIR CAP ASSY            | 192.00 |
| 2    | 9COG-R200-12-20 | COG-R200 NOZZLE/NEEDLE ASSY 1.2 | 407.00 |
| 2    | 9COG-R200-18-20 | COG-R200 NOZZLE/NEEDLE ASSY 1.8 | 407.00 |
| 4    | 93847580        | NEEDLE PACKING SET              | 113.00 |
| 5    | 93629570        | PISTON                          | 55.00  |
| 6    | 93455230        | NUT                             | 16.00  |
| 7    | 93903440        | PISTON PACKING (PACK OF 2)      | 20.00  |

| Ref. | Code     | Description                 | \$     |
|------|----------|-----------------------------|--------|
| 9    | 93840581 | FLUID ADJUST SET W/ RATCHET | 133.00 |
| 9-1  | 93912030 | E STOPPER (PACK OF 2)       | 4.00   |
| 9-2  | 93914730 | STEEL BALL (PACK OF 2)      | 4.00   |
| 9-3  | 93104420 | FLUID ADJUST SPRING         | 8.00   |
| 10   | 93526620 | PLUG                        | 33.00  |
| 11   | 96990440 | PLUG                        | 17.00  |
| 12   | 96172529 | SCREW                       | 3.00   |





**SPARE PARTS COG-A200**

| Ref. | Code            | Description                     | \$     |
|------|-----------------|---------------------------------|--------|
| 1    | 9COG-200-18-10  | COG-200 AIR CAP ASSY            | 192.00 |
| 2    | 9COG-A200-12-20 | COG-A200 NOZZLE/NEEDLE ASSY 1.2 | 407.00 |
| 2    | 9COG-A200-18-20 | COG-A200 NOZZLE/NEEDLE ASSY 1.8 | 407.00 |
| 3-1  | 93502620        | AIR NIPPLE                      | 14.00  |
| 3-2  | 93515600        | FLUID NIPPLE                    | 17.00  |
| 4    | 93812621        | SPREAD ADJUST SET               | 35.00  |
| 5    | 93805620        | AIR VALVE SEAT SET              | 63.00  |
| 6-1  | 93903440        | PISTON PACKING (PACK OF 2)      | 20.00  |
| 6-2  | 93511580        | PISTON                          | 36.00  |
| 7    | 93514580        | NEEDLE SPRING                   | 6.00   |
| 8    | 93513580        | PISTON SPRING                   | 6.00   |
| 9    | 93840581        | FLUID ADJUST SET W/ RATCHET     | 133.00 |
| 9-1  | 93912030        | E STOPPER (PACK OF 2)           | 4.00   |

| Ref. | Code            | Description                 | \$     |
|------|-----------------|-----------------------------|--------|
| 9-2  | 93914730        | STEEL BALL (PACK OF 2)      | 4.00   |
| 9-3  | 93104420        | FLUID ADJUST SPRING         | 8.00   |
| 10   | 93811580        | BOLT SET (PACK OF 2)        | 21.00  |
| 10-1 | 93810580        | BOLT CAP (PACK OF 2)        | 14.00  |
| 11   | 93765610        | NEEDLE PACKING SET          | 36.00  |
| 12   | 93522581        | COVER                       | 14.00  |
| 15   | 96801162        | HALF UNION                  | 20.00  |
| 16   | 96801182        | HALF UNION                  | 20.00  |
|      | 93849620        | O RING SET                  | 14.00  |
|      | 93834580        | AIR VALVE SEAT AXIS         | 203.00 |
|      | 9COG-A200-12-50 | COG-A200-12 CONVERSION ASSY | 697.00 |
|      | 9COG-A200-18-50 | COG-A200-18 CONVERSION ASSY | 697.00 |





**Pressure Pots**

**Diaphragm Pumps**



## DPS-120 | DPS-90

**DDP-90F.TE**



Pump Unit

**DDP-120B.TE**



Pump Unit

### FEATURES

- Double Diaphragm Paint Pumps are the perfect choice for fluid delivery to manual and automatic spray guns
- Pneumatic pump control with double spool air circuit promises an excellent finish
- The pneumatic control system prevents forced stoppage of the pump
- Dead storage material channels and easily collapsible pump structure facilitate cleaning, inspection and maintenance
- Wear-resistant pump assembly
- Available also with a 2-way connection (Aluminum & Stainless Steel models)

| TECHNICAL DATA                    | DPS-120C.TE     | DPS-90G.TE  |
|-----------------------------------|-----------------|-------------|
| Ratio                             | 1:1             |             |
| Max. Working Pressure             | 7 bar (100 psi) |             |
| Fluid Output at 30 cyc/min.       | 4.5 lt./min     | 1.5 lt./min |
| Fluid Output at 200 cyc/min. max. | 30 lt./min      | 10 lt./min  |
| Paint Viscosity                   | 85 sec/Ford#4   |             |
| Working Temperature               | 5-40 C°         |             |
| Paint Outlet Filter               | 100 mesh        |             |
| Siphon Paint Filter               | 50 mesh         |             |

on Stand

on Tank Mount

on Cart

on Wall Mount

**ASSEMBLY**



| ORDER Information        |                 | DPS-120    |       |          | DPS-90    |       |          |
|--------------------------|-----------------|------------|-------|----------|-----------|-------|----------|
| UNIT ASSEMBLY            | STAINLESS STEEL | MODELS     | Code  | \$       | MODELS    | Code  | \$       |
| PUMP UNIT                |                 | DDP-120BN  | 8143B | 980.00   | DDP-90FN  | 8134F | 739.00   |
| STAND MOUNT              |                 | DPS-1201CN | 8181  | 2,000.00 | DPS-901GN | 8171  | 1,500.00 |
| PAIL MOUNT               |                 | DPS-1202CN | 8182  | 2,000.00 | DPS-902GN | 8172  | 1,500.00 |
| CART MOUNT               |                 | DPS-1203CN | 8183  | 2,000.00 | DPS-903GN | 8173  | 1,500.00 |
| WALL MOUNT               |                 | DPS-1204CN | 8184  | 1,880.00 | DPS-904GN | 8174  | 1,380.00 |
| PAINT PRESSURE REGULATOR |                 | PR-5BN     | 8060B | 424.00   | PR-5BLN   | 8077B | 424.00   |



DDP-70B.TE



Pump Unit

### FEATURES

- Double Diaphragm Paint Pumps are the perfect choice for fluid delivery for manual and automatic spray guns
- Pneumatic pump control with Double Spool air circuit promises an excellent finish
- The pneumatic control system prevents forced stoppage of the pump
- Dead storage material channels and easily collapsible pump structure facilitate cleaning, inspection and maintenance
- Wear-resistant pump assembly
- Available also with a 2-way connection



Paint Pressure Regulator

| TECHNICAL DATA                    | DPS-70C.TE      |
|-----------------------------------|-----------------|
| Ratio                             | 1:1             |
| Max. Working Pressure             | 7 bar (100 psi) |
| Fluid Output at 200 cyc/min. max. | 6 lt./min       |
| Paint Viscosity                   | 60 sec/Ford#4   |
| Working Temperature               | 5-40 C°         |
| Paint Outlet Filter               | 100 mesh        |
| Siphon Paint Filter               | 50 mesh         |

on Stand

on Tank Mount

on Cart

on Wall Mount

ASSEMBLY



| ORDER Information        |          | DPS-70C  |          |          | DPS-70CN  |       |          |
|--------------------------|----------|----------|----------|----------|-----------|-------|----------|
| UNIT ASSEMBLY            |          | MODELS   | Code     | \$       | MODELS    | Code  | \$       |
| PUMP UNIT                | ALUMINUM | DDP-70B  | 14068640 | 519.00   | DDP-70BN  | 8135B | 545.00   |
| STAND MOUNT              |          | DPS-701C | 14069060 | 1,200.00 | DPS-701CN | 8191  | 1,300.00 |
| PAIL MOUNT               |          | DPS-702C | 14069140 | 1,200.00 | DPS-702CN | 8192  | 1,300.00 |
| CART MOUNT               |          | DPS-703C | 14069220 | 1,200.00 | DPS-703CN | 8193  | 1,300.00 |
| WALL MOUNT               |          | DPS-704C | 14069300 | 1,080.00 | DPS-704CN | 8194  | 1,180.00 |
| PAINT PRESSURE REGULATOR |          | PR-5BL   | 8281     | 350.00   | PR-5BLN   | 8077B | 424.00   |

Dimensions & Weight

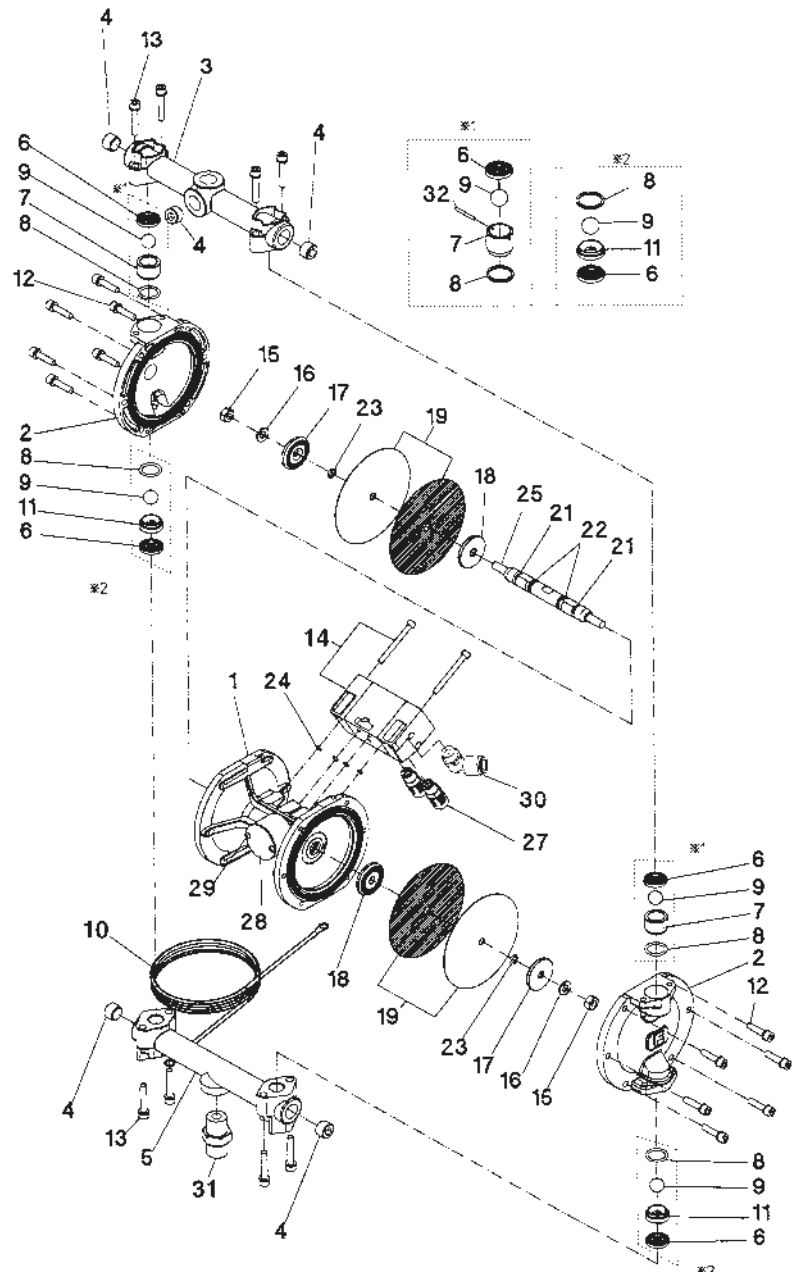
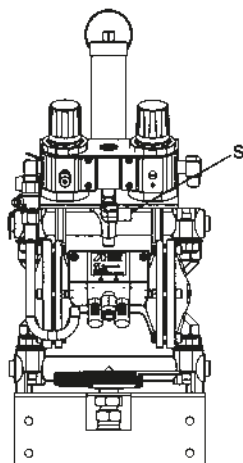
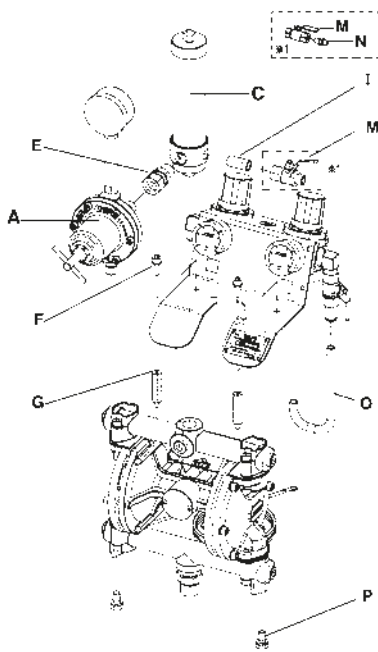
| UNIT ASSEMBLY      | Dimensions (mm) | Weight (kg)                          | Dimensions (mm) | Weight (kg)                          | Dimensions (mm) | Weight (kg)         |
|--------------------|-----------------|--------------------------------------|-----------------|--------------------------------------|-----------------|---------------------|
| On Stand           | DPS-120         | 10.5 (C)<br>13.9 (CN)<br>10.5 (C-WB) | DPS-90          | 9.6 (G)<br>11.7 (GN)<br>9.6 (G-WB)   | DPS-70          | 6.0 (C)<br>7.4 (CN) |
| On Tank Mount      |                 | 9.6 (C)<br>12.1 (CN)<br>9.6 (C-WB)   |                 | 8.7 (G)<br>10.8 (GN)<br>8.7 (G-WB)   |                 | 5.1 (C)<br>6.5 (CN) |
| On Cart w/Dip tube |                 | 13.0 (C)<br>15.5 (CN)<br>13.0 (C-WB) |                 | 12.1 (G)<br>14.2 (GN)<br>12.1 (G-WB) |                 | 8.5 (C)<br>9.9 (CN) |
| On Wall Mount      |                 | 9.5 (C)<br>12.0 (CN)<br>9.5 (C-WB)   |                 | 8.6 (G)<br>10.7 (GN)<br>8.6 (G-WB)   |                 | 5.0 (C)<br>7.1 (CN) |
| On Cart w/Hopper   |                 | 13.0 (C)<br>15.5 (CN)<br>13.0 (C-WB) |                 | 12.1 (G)<br>14.2 (GN)<br>12.1 (G-WB) |                 | 8.5 (C)<br>9.9 (CN) |



## DPS-120 | DPS-90 ACCESSORIES

| ACCESSORIES |          |                              |  |        |
|-------------|----------|------------------------------|--|--------|
| Ref.        | Code     | Description                  | for Models   | \$     |
| A           | 8281     | PAINT REGULATOR SET PR-5BL   | for Aluminum   | 350.00 |
| A           | 8077B    | PAINT REGULATOR SET PR-5BLN  | for Stainless Steel  | 424.00 |
| C           | 94493020 | PAINT FILTER SET             |  | 213.00 |
| E           | 06859803 | SWIVEL JOINT                 | for DPS 120-1C/-2C/-3C/-4C/-36C DPS 90-1G/-2G/-3G/-4G/-36G                           | 6.00   |
| E           | 06859591 | SWIVEL JOINT                 | for DPS 120-1CN/-2CN/-3CN/-4CN/-36CN and -WB_DPS 90-1GN/-2GN/-3GN/-4GN/-36GN and -WB | 58.00  |
| F           | 06357501 | HEX. SOCKET BOLT WITH WASHER |  | 2.00   |
| G           | 04493000 | CONNECTING BOLT              |  | 15.00  |
| I           | 06642002 | NIPPLE                       |  | 9.00   |
| M           | 04432650 | BALL VALVE                   | for DPS120-1C/-2C/-3C/-4C/-36C and DPS90-1G/-2G/-3G/-4G/-36G                         | 15.00  |
| M           | 04433630 | BALL VALVE                   | for DPS 120-1CN/-2CN/-3CN/-4CN/-36CN and -WB_DPS 90-1GN/-2GN/-3GN/-4GN/-36GN and -WB | 46.00  |
| N           | 94343310 | JOINT G1/4"R1/4"             | for DPS 120-1CN/-2CN/-3CN/-4CN/-36CN and -WB_DPS 90-1GN/-2GN/-3GN/-4GN/-36GN and -WB | 39.00  |
| O           | 04494040 | PIPE                         |  | 2.00   |
| P           | 06994758 | WASHER BOLT                  |  | 2.00   |
| S           | 06859563 | ELBOW UNION                  | for DPS 120-4C/-4CN and DPS 90-4G/-4GN   | 15.00  |

### Accessories





### SPARE PARTS

| Ref. | Code     | Description                  | Qty.        | DDP-90F | DDP-90FN | DDP-120B | DDP-120BN | \$     |
|------|----------|------------------------------|-------------|---------|----------|----------|-----------|--------|
| 1    | 94410622 | MAIN BODY                    |             | X       | X        |          |           | 710.00 |
| 1    | 94437632 | MAIN BODY                    |             |         |          | X        | X         | 830.00 |
| 2    | 94456582 | LID                          |             | X       |          |          |           | 137.00 |
| 2    | 94414592 | LID                          |             |         | X        |          |           | 518.00 |
| 2    | 94439631 | LID                          |             |         |          | X        |           | 206.00 |
| 2    | 94453660 | LID                          |             |         |          |          | X         | 452.00 |
| 3    | 94452640 | UPPER ADAPTOR                |             | X       |          | X        |           | 122.00 |
| 3    | 94414650 | UPPER ADAPTOR                |             |         | X        |          | X         | 171.00 |
| 4    | 96990413 | HEXAGON SOCKET PLUG          |             | X       |          | X        |           | 8.00   |
| 4    | 96367202 | HEXAGON SOCKET PLUG          |             |         | X        |          | X         | 28.00  |
| 5    | 94441630 | LOWER ADAPTOR                |             | X       |          | X        |           | 164.00 |
| 5    | 94416592 | LOWER ADAPTOR                |             |         | X        |          | X         | 567.00 |
| 6    | 94935620 | PACKING SET                  | 2 pcs./1 pk | X       | X        |          |           | 14.00  |
| 6    | 94933290 | PACKING SET                  | 2 pcs./1 pk |         |          | X        | X         | 20.00  |
| 7    | 94931630 | EXHAUST VALVE                | 2 pcs./1 pk | X       | X        |          |           | 40.00  |
| 7    | 94935290 | EXHAUST VALVE                | 2 pcs./1 pk |         |          | X        | X         | 55.00  |
| 8    | 94932630 | O-RING SET                   | 2 pcs./1 pk | X       | X        |          |           | 5.00   |
| 8    | 94930300 | O-RING SET                   | 2 pcs./1 pk |         |          | X        | X         | 6.00   |
| 9    | 94930630 | STEEL BALL SET               | 2 pcs./1 pk | X       | X        |          |           | 14.00  |
| 9    | 94934290 | STEEL BALL SET               | 2 pcs./1 pk |         |          | X        | X         | 34.00  |
| 10   | 04492830 | GROUND WIRE                  |             | X       | X        | X        | X         | 9.00   |
| 11   | 94933630 | INTAKE VALVE                 | 2 pcs./1 pk | X       | X        |          |           | 42.00  |
| 11   | 94446630 | INTAKE VALVE                 | 2 pcs./1 pk |         |          | X        | X         | 55.00  |
| 12   | 96357500 | HEX. SOCKET BOLT WITH WASHER |             | X       | X        | X        | X         | 3.00   |
| 13   | 96357502 | HEX. SOCKET BOLT WITH WASHER |             | X       | X        | X        | X         | 4.00   |
| 14   | 94490631 | AIR OPERATING VALVE SET      |             | X       | X        | X        | X         | 354.00 |
| 15   | 96361081 | HEX. NUT                     |             | X       | X        | X        | X         | 3.00   |
| 16   | 96362080 | SPRING WASHER                |             | X       | X        | X        | X         | 3.00   |
| 17   | 94414600 | DIAPHRAGM HOLDER(OUTER)      |             | X       | X        |          |           | 53.00  |
| 17   | 94448630 | DIAPHRAGM HOLDER(OUTER)      |             |         |          | X        | X         | 69.00  |
| 18   | 94453581 | DIAPHRAGM HOLDER(INNER)      |             | X       | X        |          |           | 19.00  |
| 18   | 94449631 | DIAPHRAGM HOLDER(INNER)      |             |         |          | X        | X         | 31.00  |
| 19   | 94931620 | DIAPHRAGM SET                | 2 in+2 out  | X       | X        |          |           | 102.00 |
| 19   | 94932301 | DIAPHRAGM SET                | 2 in+2 out  |         |          | X        | X         | 144.00 |
| 21   | 96996610 | Y PACKING                    |             | X       | X        | X        | X         | 8.00   |
| 22   | 96630011 | O-RING                       |             | X       | X        | X        | X         | 4.00   |
| 23   | 96630008 | O-RING                       |             | X       | X        | X        | X         | 4.00   |
| 24   | 96630004 | O-RING                       |             | X       | X        |          |           | 3.00   |
| 24   | 96630006 | O-RING                       |             |         |          | X        | X         | 4.00   |
| 25   | 94431590 | ROD                          |             | X       | X        | X        | X         | 152.00 |
| 27   | 94432590 | MUFFLER                      |             | X       | X        | X        | X         | 21.00  |
| 28   | 94456570 | BLANKING COVER               |             | X       | X        | X        | X         | 15.00  |
| 29   | 96234002 | TAPPING SCREW                |             | X       | X        | X        | X         | 4.00   |
| 30   | 06800202 | ELBOW UNION                  |             | X       | X        | X        | X         | 15.00  |
| 31   | 94427640 | JOINT                        |             | X       |          | X        |           | 16.00  |
| 31   | 94428640 | JOINT                        |             |         | X        |          | X         | 87.00  |
| 32   | 94444630 | PIN                          |             |         |          | X        | X         | 6.00   |



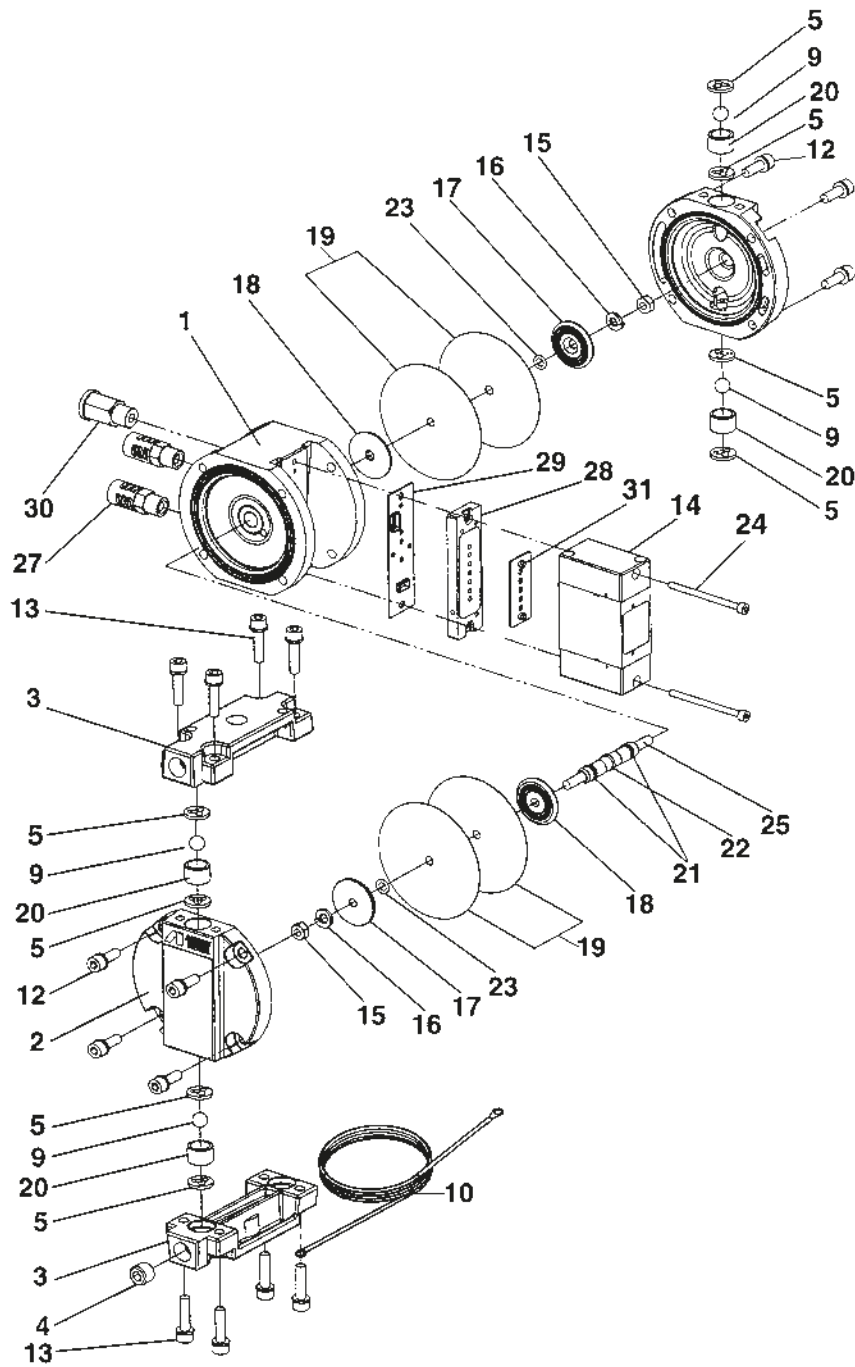
### ACCESSORIES

| Ref. | Code     | Description                    | for Models                         | \$     |
|------|----------|--------------------------------|------------------------------------|--------|
| A    | 8281     | PAINT REGULATOR SET PR-5BL     | for Aluminum                       | 350.00 |
| A    | 8077B    | PAINT REGULATOR SET PR-5BLN    | for Stainless Steel                | 424.00 |
| D    | 06646002 | STREET ELBOW                   |                                    | 30.00  |
| E    | 06859557 | MALE-FEMALE UNION              | DPS 701C/702C/704C                 | 15.00  |
| E    | 06859558 | MALE-FEMALE UNION              | DPS 701CN/702CN/703CN/7036CN/704CN | 58.00  |
| F    | 06357501 | HEX. SOCKET BOLT WITH WASHER   |                                    | 2.00   |
| M    | 04432650 | BALL VALVE                     | DPS 701C/702C/703C/704C/7036C      | 15.00  |
| M    | 04433630 | BALL VALVE                     | DPS 701CN/702CN/703CN/7036CN/704CN | 46.00  |
| N    | 94343310 | JOINT G1/4" R1/4"              |                                    | 11.82  |
| O    | 04492930 | TUBE                           |                                    | 2.00   |
| P    | 06994756 | WASHER BOLT                    |                                    | 2.00   |
| R    | 06859538 | ELBOW UNION 1/4" M - 1/4" M    | DPS 701C/702C/704C                 | 6.00   |
| R    | 04435630 | ELBOW UNION 1/4" M - 1/4" M    | DPS 701CN/702CN/703CN/7036CN/704CN | 46.00  |
| S    | 06859563 | ELBOW UNION Rc1/4" F - 1/4" M  | DPS 704C/704CN                     | 15.00  |
| T    | 04492790 | ELBOW UNION Rc 3/8" F - 3/8" M | DPS 702C/702CN                     | 53.00  |

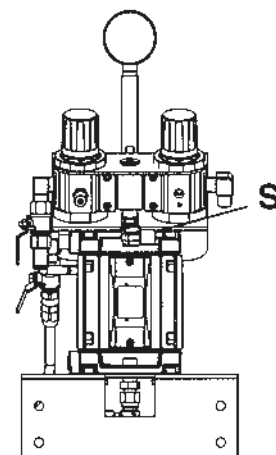
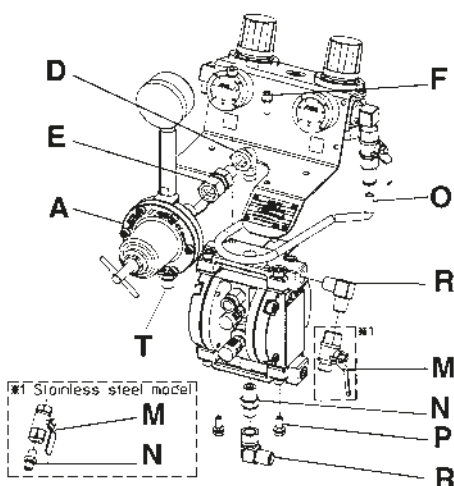
### SPARE PARTS

| Ref. | Code     | Description                  | Qty.         | DDP-70B | DDP-70BN | \$     |
|------|----------|------------------------------|--------------|---------|----------|--------|
| 1    | 94943570 | MAIN BODY                    |              | X       | X        | 410.00 |
| 2    | 94402581 | LID                          |              | X       |          | 125.00 |
| 2    | 94409720 | LID                          |              |         | X        | 182.00 |
| 3    | 94400583 | ADAPTOR                      |              | X       |          | 110.00 |
| 3    | 94409710 | ADAPTOR                      |              |         | X        | 165.00 |
| 4    | 96990412 | HEXAGON SOCKET PLUG          |              | X       |          | 6.00   |
| 4    | 96367201 | HEXAGON SOCKET PLUG          |              |         | X        | 19.00  |
| 5    | 94932320 | PACKING SET                  | 4 pcs./1 pk. | X       | X        | 11.00  |
| 9    | 94932330 | STEEL BALL SET               | 2 pcs./1 pk. | X       | X        | 18.00  |
| 10   | 04492830 | GROUND WIRE                  |              | X       | X        | 8.00   |
| 12   | 06357501 | HEX. SOCKET BOLT WITH WASHER |              | X       | X        | 2.00   |
| 13   | 96357500 | HEX. SOCKET BOLT WITH WASHER |              | X       | X        | 3.00   |
| 14   | 04409650 | AIR OPERATING VALVE SET      |              | X       | X        | 347.00 |
| 15   | 96361060 | HEX. NUT                     |              | X       | X        | 2.00   |
| 16   | 06362060 | SPRING WASHER                |              | X       | X        | 2.00   |
| 17   | 94401592 | DIAPHRAGM HOLDER (outer)     |              | X       | X        | 19.00  |
| 18   | 94402592 | DIAPHRAGM HOLDER (inner)     |              | X       | X        | 19.00  |
| 19   | 94932340 | DIAPHRAGM SET (outer)        | 2 pcs./1 pk. | X       | X        | 92.00  |
| 20   | 94932310 | SEAT                         | 2 pcs./1 pk. | X       | X        | 23.00  |
| 21   | 96996611 | Y PACKING                    |              | X       | X        | 10.00  |
| 22   | 96996640 | PSD PACKING                  |              | X       | X        | 11.00  |
| 23   | 96630006 | O RING                       |              | X       | X        | 4.00   |
| 24   | 96356503 | BOLT WITH HEX. HOLE          |              | X       | X        | 2.00   |
| 25   | 94405581 | ROD                          |              | X       | X        | 96.00  |
| 27   | 94432590 | MUFFLER                      |              | X       | X        | 21.00  |
| 28   | 94944571 | SUB PLATE                    |              | X       | X        | 61.00  |
| 29   | 94405591 | GASKET                       |              | X       | X        | 16.00  |
| 30   | 96801202 | HALF UNION                   |              | X       | X        | 7.00   |
| 31   | 94409660 | PACKING                      |              | X       | X        | 10.00  |





Accessories



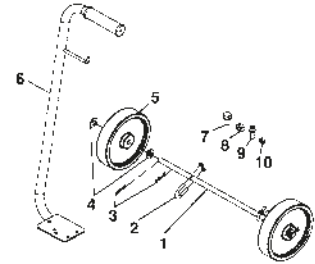
"S" Elbow Union for Air Connection



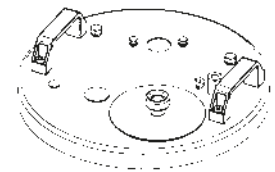
## SPARE PARTS AND ACCESSORIES

| Code                                  | Description                              | \$            |
|---------------------------------------|--|---------------|
| FOR ALL CART TYPES (Pict. A):         |  |               |
| <b>94492770</b>                       | <b>WHEEL CART SET</b>                    | <b>265.00</b> |
| 04493910                              | AXLE                                     | 1 46.00       |
| 06991938                              | "U" BOLT                                 | 2 30.00       |
| 06659020                              | SNAP PIN                                 | 3 2.00        |
| 06475122                              | WASHER                                   | 4 2.00        |
| 07990213                              | SOLID TIRE                               | 5 30.00       |
| 04493920                              | HANDLE                                   | 6 137.00      |
| 06994758                              | BOLT + WASHER                            | 7 2.00        |
| 06382082                              | HEX. NUT                                 | 8 2.00        |
| 06357501                              | HEX. SOCKET BOLT WITH WASHER             | 9 2.00        |
| 06382062                              | HEX. NUT                                 | 10 2.00       |
| FOR ALL TANK TYPES (Pict. B):         |  |               |
| <b>94492780</b>                       | <b>LID SET</b>                           | <b>205.00</b> |
| FOR ALL WALL BRACKET TYPES (Pict. C): |  |               |
| <b>04459630</b>                       | <b>WALL MOUNTING BRACKET</b>             | <b>91.00</b>  |
| 06859563                              | ELBOW UNION (FOR AIR CONNECTION)         | 15.00         |
| HOPPER SET                            |  |               |
| <b>8147</b>                           | <b>HOPPER SET FOR DPS903/1203</b>        | <b>462.00</b> |
| REGULATOR SET FOR TWO GUNS (Pict. D): |  |               |
| <b>8066B</b>                          | <b>2 GUN SETUP WITH 1 PR-5 REGULATOR</b> | <b>458.00</b> |

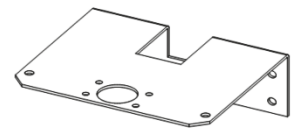
Pict. A



Pict. B

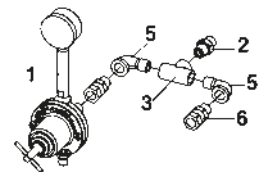


Pict. C



Pict. D

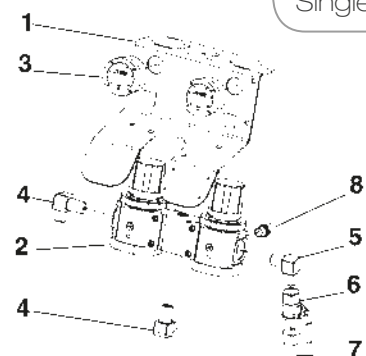
Stainless Steel type



## AIR REGULATOR SET

| Code     | Description                          | Ref. | \$     |
|----------|--------------------------------------|------|--------|
| 04492860 | PANEL                                | 1    | 76.00  |
| 04492870 | AIR REGULATOR SET (2 REGULATORS SET) | 2    | 197.00 |
| 04492890 | AIR REGULATOR (SINGLE)               |      | 83.00  |
| 04492910 | PRESSURE GAUGE                       | 3    | 29.00  |
| 06858202 | ELBOW R1/4" G1/4"                    | 4    | 6.00   |
| 06859538 | ELBOW R1/4" R1/4"                    | 5    | 6.00   |
| 04492920 | BALL VALVE RC1/4" R1/4"              | 6    | 23.00  |
| 06809136 | FEMALE UNION Ø10 X RC1/4"            | 7    | 12.00  |
| 04492940 | SAFETY VALVE                         | 8    | 30.00  |

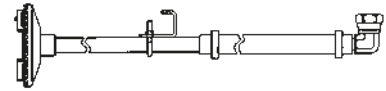
Air Regulator



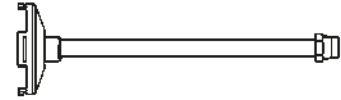
## SUCTION HOSE & DRAIN HOSE SET

| Code   | Description  | Ref.    | \$     |
|--|--|---------|--------|
| <b>SUCTION HOSE SET FOR CART TYPE (A) - STAND TYPE (B) - WALL BRACKET TYPE (D)</b> |  |         |        |
| 04493830   | SUCTION HOSE FOR ALUMINUM MODEL                                | Pict. 1 | 129.00 |
| 04494060   | SUCTION HOSE FOR STAINLESS STEEL AND ANODIZED ALUMINUM MODEL   | Pict. 1 | 205.00 |
| 04437930   | SUCTION HOSE FOR DPS 701C/703C/704C/7036C- /CN STAINLESS STEEL | Pict. 1 | 129.00 |
| <b>SUCTION PIPE SET FOR TANK TYPE (C)</b>  |  |         |        |
| 04493670   | SUCTION PIPE FOR ALUMINUM MODEL                                | Pict. 2 | 68.00  |
| 04404210   | SUCTION PIPE FOR STAINLESS STEEL AND ANODIZED ALUMINUM MODEL   | Pict. 2 | 99.00  |
| 04437830   | SUCTION PIPE FOR DPS 704C- /CN STAINLESS STEEL                 | Pict. 2 | 99.00  |
| <b>SUCTION FILTER SET FOR ALL TYPES</b>  |  |         |        |
| 04637780   | SUCTION FILTER   | Pict. 3 | 23.00  |
| 0040720100   | FILTER (50 mesh)   | 1       | 17.50  |
| 00407203   | FILTER STOPPER   | 2       | 4.00   |
| <b>DRAIN HOSE SET FOR CART TYPE (A) - STAND TYPE (B) - WALL BRACKET TYPE (D)</b>   |  |         |        |
| 04493850   | DRAIN HOSE FOR ALUMINUM MODEL                                  | Pict. 4 | 30.00  |
| 04494090   | DRAIN HOSE FOR STAINLESS STEEL AND ANODIZED ALUMINUM MODEL     | Pict. 4 | 46.00  |
| 04493571   | DRAIN HOSE FOR ALUMINUM MODEL                                  | Pict. 5 | 30.00  |
| 04494220   | DRAIN HOSE FOR STAINLESS STEEL AND ANODIZED ALUMINUM MODEL     | Pict. 5 | 46.00  |
| <b>DRAIN HOSE SET FOR HOPPER TYPE (E)</b>  |  |         |        |
| 04400280   | DRAIN HOSE   | Pict. 6 | 17.00  |

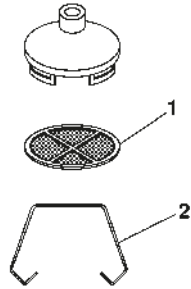
Pict. 1



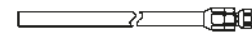
Pict. 2



Pict. 3



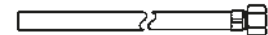
Pict. 4



Pict. 5



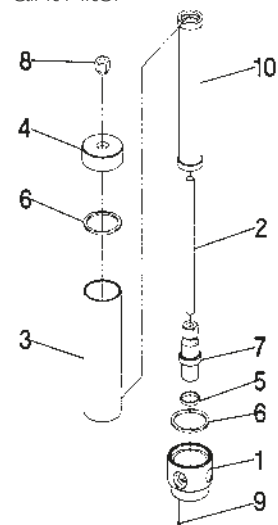
Pict. 6



## PAINT FILTER SET

| Code     | Description       | Ref. | \$     |
|----------|-------------------|------|--------|
| 04493020 | PAINT FILTER SET  |      | 212.00 |
| 04493030 | BODY              | 1    | 61.00  |
| 04493040 | FILTER BOLT       | 2    | 15.00  |
| 04493050 | CYLINDER          | 3    | 53.00  |
| 04493060 | CYLINDER CAP      | 4    | 30.00  |
| 04493070 | PACKING           | 5    | 5.00   |
| 04493080 | PACKING           | 6    | 5.00   |
| 04493090 | JOINT             | 7    | 32.00  |
| 04493800 | BOLT CAP          | 8    | 8.00   |
| 06583006 | SPRING PIN        | 9    | 2.00   |
| VFM2503  | FILTER (100 MESH) | 10   | 5.00   |

Paint Filter



## Paint Flow Control Valve

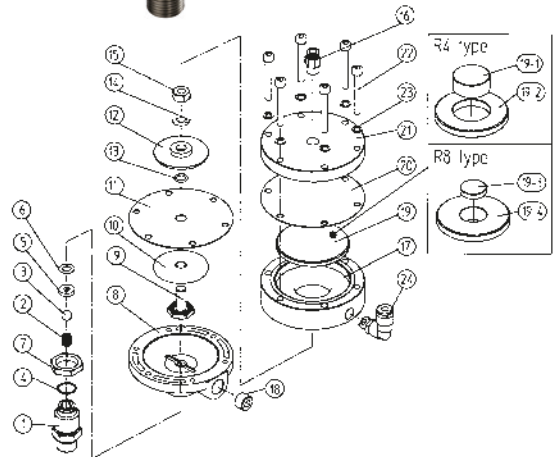
| FCV-31   FCV-31 N-S1-R4 / -R8 |   |                 |      |        |
|-------------------------------|---|-----------------|------|--------|
| Code                          | Description   | Type            | Ref. | \$     |
| 6762                          | FCV-31 PAINT FLOW CONTROL VALVE                       |                 |      | 551.00 |
| 6765                          | FCV-31N PAINT FLOW CONTROL VALVE (STAINLESS STEEL)    |                 |      | 825.00 |
| 6766                          | FCV 31N-R4 PAINT FLOW CONTROL VALVE (STAINLESS STEEL) |                 |      | 887.00 |
| 6767                          | FCV 31N-R8 PAINT FLOW CONTROL VALVE (STAINLESS STEEL) |                 |      | 887.00 |
| 94700450                      | JOINT   |                 | 1    | 73.00  |
| 94701451                      | VALVE SPRING  |                 | 2    | 14.00  |
| 94702450                      | CARBIDE BALL  |                 | 3    | 33.00  |
| 96639514                      | O RING  |                 | 4    | 14.00  |
| 94703450                      | SEAT  |                 | 5    | 76.00  |
| 94704450                      | PACKING   |                 | 6    | 2.00   |
| 94731450                      | HEXAGON NUT   |                 | 7    | 11.00  |
| 94705451                      | BODY  |                 | 8    | 40.00  |
| 94707450                      | DIAPHRAGM BOLT  |                 | 9    | 47.00  |
| 94708450                      | DIAPHRAGM HOLDER                                      |                 | 10   | 16.00  |
| 94976440                      | DIAPHRAGM   |                 | 11   | 30.00  |
| 94709451                      | DIAPHRAGM STOPPER                                     |                 | 12   | 33.00  |
| 96995905                      | O RING  |                 | 13   | 5.00   |
| 06500802                      | SPRING WASHER   |                 | 14   | 2.00   |
| 96383086                      | HEXAGON NUT   |                 | 15   | 4.00   |
| 96801161                      | HALF UNION  |                 | 16   | 15.00  |
| 94757410                      | DIAPHRAGM CAP   |                 | 17   | 129.00 |
| 06990412                      | PLUG WITH HEX. HOLE                                   | (FCV-31)        | 18   | 6.00   |
| 96367201                      | PLUG WITH HEX. HOLE                                   | (FCV-31N-S1)    | 18   | 19.00  |
| 94758410                      | DIAPHRAGM HOLDER (2) (1 pc.)                          | (FCV-31N-S1)    | 19   | 67.00  |
| 94768410                      | PISTON  | (FCV-31N-S1-R4) | 19-1 | 34.00  |
| 94766410                      | DIAPHRAGM HOLDER (2) (1 pc.)                          | (FCV-31N-S1-R4) | 19-2 | 67.00  |
| 94769410                      | PISTON  | (FCV-31N-S1-R8) | 19-3 | 34.00  |
| 94767410                      | DIAPHRAGM HOLDER (2) (1 pc.)                          | (FCV-31N-S1-R8) | 19-4 | 68.00  |
| 94759410                      | DIAPHRAGM (2) (1 pc.)                                 |                 | 20   | 29.00  |
| 94760410                      | DIAPHRAGM CAP (2) (1 pc.)                             |                 | 21   | 111.00 |
| 96350540                      | BOLT WITH HEX.HOLE                                    |                 | 22   | 3.00   |
| 96500502                      | SPRING WASHER   |                 | 23   | 2.00   |
| 06800161                      | ELBOW UNION   |                 | 24   | 15.00  |

### FEATURES:

- Max. Flow Rate: 2.0 l/min
- Max. Primary Pressure: 25 bar/362 PSI
- Adj. Air Pressure: 0.0 ~ 6.0 bar/0 ~ 87 PSI
- Fluid Inlet Joint: G 3/8" B
- Fluid Outlet Joint: Rc 1/4"
- Air Hose: ø 6x4mm
- Mass Aluminum Version: 750 g
- Mass Stainless Steel Version: 950 g



Quick reset system

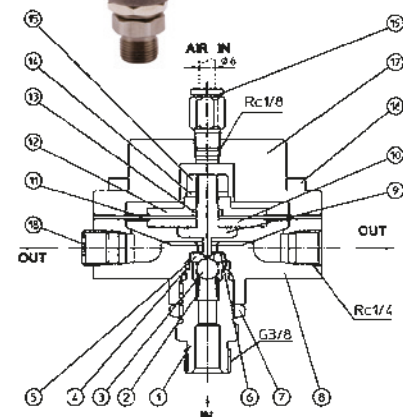


## Paint Flow Control Valve

| FCV-3    |                                 |      |      |        |
|----------|---------------------------------|------|------|--------|
| Code     | Description                     | Type | Ref. | \$     |
| 6760     | FCV-3 PAINT FLOW CONTROL VALVE  |      |      | 398.00 |
| 6761     | FCV-3N PAINT FLOW CONTROL VALVE |      |      | 734.00 |
| 94700450 | JOINT                           |      | 1    | 73.00  |
| 94701451 | VALVE SPRING                    |      | 2    | 14.00  |
| 94702450 | CARBIDE BALL                    |      | 3    | 33.00  |
| 96639514 | O RING                          |      | 4    | 14.00  |
| 94703450 | SEAT                            |      | 5    | 76.00  |
| 94704450 | PACKING                         |      | 6    | 2.00   |
| 94731450 | HEXAGON NUT                     |      | 7    | 11.00  |
| 94705451 | BODY                            |      | 8    | 40.00  |
| 94707450 | DIAPHRAGM BOLT                  |      | 9    | 47.00  |
| 94708450 | DIAPHRAGM HOLDER                |      | 10   | 16.00  |
| 94976440 | DIAPHRAGM                       |      | 11   | 30.00  |
| 94709451 | DIAPHRAGM STOPPER               |      | 12   | 33.00  |
| 96995905 | O RING                          |      | 13   | 5.00   |
| 06500802 | SPRING WASHER                   |      | 14   | 2.00   |
| 96383086 | HEXAGON NUT                     |      | 15   | 4.00   |
| 96357480 | HEXAGON SOCKET BOLT + WASHER    |      | 16   | 2.00   |
| 94757400 | DIAPHRAGM CAP                   |      | 17   | 26.00  |
| 96990412 | PLUG                            |      | 18   | 6.00   |
| 96801161 | HALF UNION                      |      | 19   | 15.00  |

### FEATURES:

- Max. Flow Rate: 2.0 l/min
- Max. Primary Pressure: 25 bar/362 PSI
- Max. Air Pressure: 6.0 bar/87 PSI
- Fluid Inlet Joint: G 3/8" B
- Fluid Outlet Joint: Rc 1/4"
- Air Hose: ø 6x4 mm
- Mass : 850 g



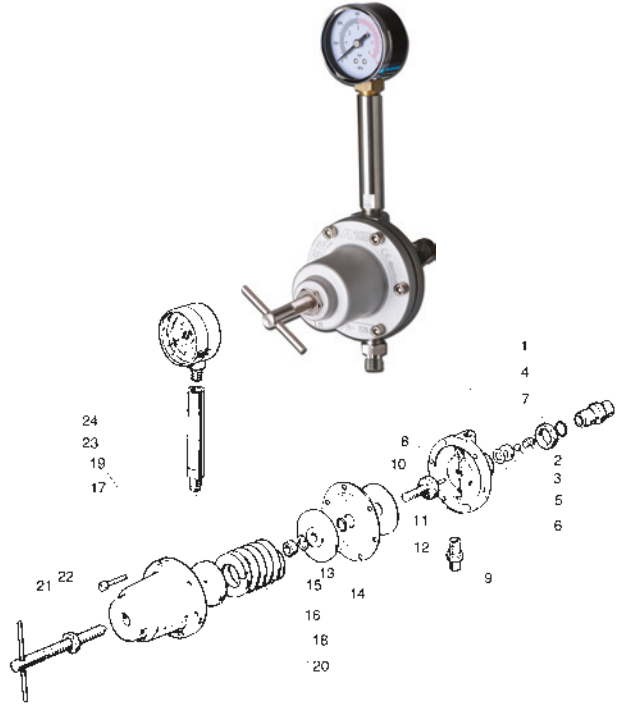
**Paint Pressure Regulator**

**PR-5BL | PR-5BL N**

| Code         | Description   | Type            | Ref. | \$            |
|--------------|---|-----------------|------|---------------|
| <b>8077B</b> | <b>PR-5BLN PAINT PRESSURE REGULATOR (STAINLESS STEEL)</b> |                 |      | <b>424.00</b> |
| 94700450     | JOINT   |                 | 1    | 73.00         |
| 94701451     | VALVE SPRING  |                 | 2    | 14.00         |
| 04702450     | TUNGSTEN CARBIDE BALL                                     |                 | 3    | 33.00         |
| 96639514     | O RING  |                 | 4    | 14.00         |
| 94703450     | CARBIDE SEAT  |                 | 5    | 73.00         |
| 94704450     | PACKING   |                 | 6    | 5.00          |
| 94731450     | HEXAGON NUT   |                 | 7    | 11.00         |
| 94705451     | MAIN BODY   | PR-5BL.TE       | 8    | 40.00         |
| 94724451     | MAIN BODY   | PR-5BLN.TE      | 8    | 265.00        |
| 04754450     | JOINT 1/4" - G 3/8"                                       | STAINLESS STEEL | 9    | 23.00         |
| 94707450     | DIAPHRAGM BOLT  |                 | 10   | 47.00         |
| 94708450     | DIAPHRAGM HOLDER  |                 | 11   | 16.00         |
| 94976440     | DIAPHRAGM   |                 | 12   | 30.00         |
| 94709451     | DIAPHRAGM STOPPER   |                 | 13   | 33.00         |
| 96995905     | O RING  |                 | 14   | 5.00          |
| 06500802     | SPRING WASHER   |                 | 15   | 2.00          |
| 96383086     | HEX NUT   |                 | 16   | 4.00          |
| 96357480     | BOLT WITH HEX HOLE  |                 | 17   | 2.00          |
| 94720440     | ADJ.SPRING  |                 | 18   | 23.00         |
| 94711451     | DIAPHRAGM CAP   |                 | 19   | 66.00         |
| 94713450     | SPRING HOLDER   |                 | 20   | 23.00         |
| 94717501     | HEX NUT   |                 | 21   | 5.00          |
| 94970440     | HANDLE SET  |                 | 22   | 21.00         |
| 94725450     | RISING PIPE   |                 | 23   | 52.00         |
| 04755451     | PRESSURE GAUGE  |                 | 24   | 24.00         |

**FEATURES:**

- Max. Flow rate: 1.5 l/min
- Max. Primary Pressure: 7.0 bar/101 PSI
- Secondary Pressure range: 0.0 ~ 3.0 bar/0 ~ 43 PSI
- Fluid IN/OUT Joint: G 3/8" B
- Mass: 850 g



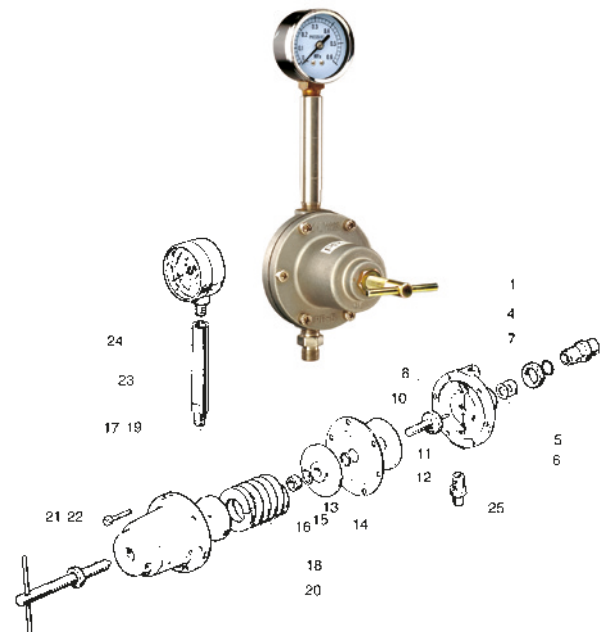
**Back Pressure Valve for Paint Recirculation**

**PR-B5 | PR-B5 BN**

| Code         | Description   | Ref. | \$            |
|--------------|---|------|---------------|
| <b>8078B</b> | <b>PR-B5 BN BACK PRESSURE VALVE (STAINLESS STEEL)</b> |      | <b>809.00</b> |
| 94700450     | JOINT   | 1    | 73.00         |
| 96639514     | O RING  | 4    | 14.00         |
| 94703450     | CARBIDE VALVE   | 5    | 73.00         |
| 94704450     | PACKING   | 6    | 5.00          |
| 94731450     | HEXAGON NUT   | 7    | 11.00         |
| 04737450     | DIAPHRAGM BOLT  | 10   | 110.00        |
| 94708450     | DIAPHRAGM HOLDER                                      | 11   | 16.00         |
| 94976440     | DIAPHRAGM   | 12   | 30.00         |
| 94709451     | DIAPHRAGM STOPPER                                     | 13   | 33.00         |
| 96995905     | O RING  | 14   | 5.00          |
| 06500802     | SPRING WASHER   | 15   | 2.00          |
| 96383086     | HEXAGON NUT   | 16   | 4.00          |
| 96357480     | HEXAGON SOCKET BOLT + WASHER                          | 17   | 2.00          |
| 94720440     | ADJUSTING SPRING                                      | 18   | 23.00         |
| 94711451     | DIAPHRAGM CAP   | 19   | 66.00         |
| 94713450     | SPRING STOPPER  | 20   | 23.00         |
| 94717501     | HEXAGON NUT   | 21   | 5.00          |
| 94970440     | HANDLE SET  | 22   | 21.00         |
| 94725450     | RISING PIPE   | 23   | 52.00         |
| 07201092     | PRESSURE GAUGE  | 24   | 23.00         |
| UL30010600   | JOINT RC. 1/4" - G 3/8"                               | 25   | 12.00         |

**FEATURES:**

- Max. Flow rate: 2.0 l/min
- Max. Primary Pressure: 6.0 bar/87 PSI
- Fluid Inlet joint: G 1/4" B
- Fluid Outlet joint: G 3/8" B
- Mass Aluminum version: 850 g
- Mass Stainless Steel version: 1020 g



## PC-18D/DT (max. 3.5 bar / 50.5 PSI)



### FEATURES:

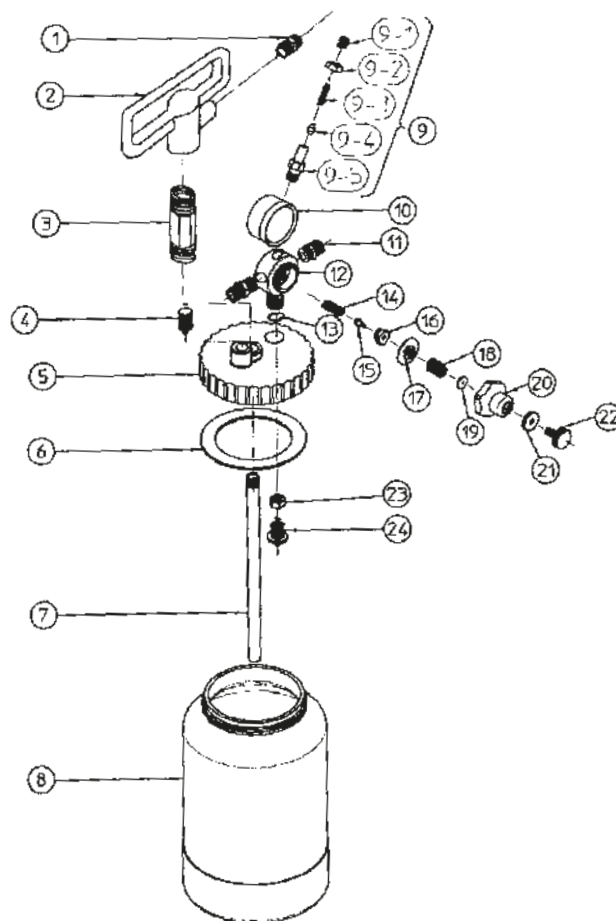
- Max. Operating Pressure: 3.5 bar/50.5 PSI
- Fluid Nipple: G 3/8" (PF3/8)
- Capacity: 2 lt
- Tank: Aluminum
- Temperature Range: 5~40°C / 41-104°F

### PC-18DT - PTFE COATED

| Ref. | Code     | Description                     | \$     |
|------|----------|---------------------------------|--------|
|      | 6003BT   | PC-18DT 2 QUART POT PTFE COATED | 528.00 |
| 1    | 94065350 | FLUID JOINT                     |        |
| 3    | 94066350 | HANDLE JOINT                    |        |
| 7    | 94067350 | SUCTION PIPE                    | 40.00  |
| 8    | 94041351 | CONTAINER SET                   | 320.00 |
| 12   | 94063350 | AIR REGULATOR BODY SET          |        |
| 23   | 94068350 | NUT                             |        |
| 24   | 94069350 | CHECK VALVE SET                 |        |

### PC-18D

| Ref. | Code     | Description                 | \$     |
|------|----------|-----------------------------|--------|
|      | 6003B    | PC-18D 2 QUART PRESSURE POT | 199.00 |
| 1    | 94056350 | FLUID JOINT                 | 48.00  |
| 2    | 94055350 | HANDLE                      | 77.00  |
| 3    | 94057350 | HANDLE JOINT                | 34.00  |
| 4    | 94003350 | AIR RELEASE VALVE           | 30.00  |
| 5    | 94053350 | LID                         | 69.00  |
| 6    | 94900210 | LID PACKING (2 pcs./1 pk.)  | 9.00   |
| 7    | 94001350 | SUCTION PIPE                | 19.00  |
| 8    | 94000351 | CONTAINER SET               | 161.76 |
| 9    | 94007350 | SAFETY VALVE                | 35.00  |
| 9-1  | 94012350 | PLUG                        | 8.00   |
| 9-2  | 94011350 | NUT                         | 11.00  |
| 9-3  | 94010350 | SAFETY VALVE SPRING         | 8.00   |
| 9-4  | 94009350 | SAFETY VALVE SPRING SEAT    | 8.00   |
| 9-5  | 94008350 | SAFETY VALVE BODY           | 15.00  |
| 10   | 94048400 | PRESSURE GAUGE              | 58.00  |
| 11   | 94027350 | JOINT                       | 10.00  |
| 12   | 94049350 | AIR REGULATOR BODY SET      | 103.37 |
| 13   | 96631012 | O RING                      | 4.00   |
| 14   | 94016350 | SPRING                      | 9.00   |
| 15   | 94017350 | REGULATOR SEAT              | 12.00  |
| 16   | 94018350 | GUIDE                       | 15.00  |
| 17   | 94019350 | DIAPHRAGM SET               | 26.00  |
| 18   | 94023350 | DIAPHRAGM SET SPRING        | 9.00   |
| 19   | 94038350 | SPRING HOLDER               | 19.00  |
| 20   | 94074350 | CAP                         | 34.00  |
| 21   | 94025350 | NUT                         | 10.00  |
| 22   | 94026350 | KNOB                        | 16.00  |
| 23   | 94058350 | NUT                         | 11.00  |
| 24   | 94904151 | CHECK VALVE SET             | 42.00  |





## PRESSURE TANK PET-10 (max. 4.0 bar / 58 PSI)

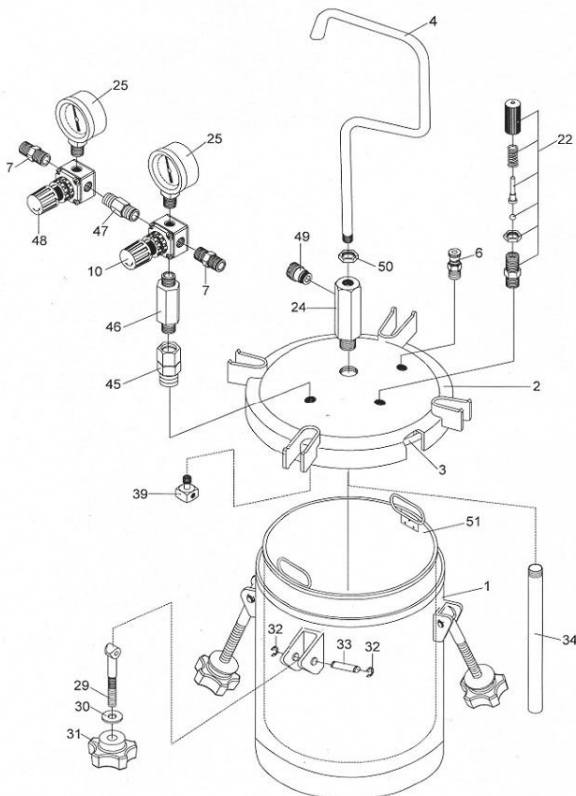


### FEATURES:

- Max. Operating Pressure: 4 bar/58 PSI
- Air Inlet/Outlet Joint: G1/4"
- Fluid Outlet Joint: G3/8"
- Capacity: 10 lt
- Inner Tank Cty: 8.5 lt | Stainless Steel
- Weight: 11 Kg
- Dimensions: 310x310x565 mm
- Temperature Range: 5~40°C / 41-104°F



Removable Inner Tank Liner  
in Stainless Steel



### PET-10 | 10 lt.

| Ref. | Code        | Description                           | \$            |
|------|-------------|---------------------------------------|---------------|
|      | <b>6315</b> | <b>PET-10 2 GALLON PRESSURE POT</b>   | <b>365.00</b> |
|      | 04020000    | MAIN BODY                             | 213.00        |
| 2    | 04020010    | LID ASSEMBLY                          | 138.00        |
| 3    | 04020200    | LID PACKING                           | 18.40         |
| 4    | 04020020    | HANDLE                                | 13.00         |
| 6    | 04020030    | EXHAUST VALVE                         | 10.00         |
| 7    | 94020210    | AIR INLET JOINT / OUTLET JOINT G1/4"  | 6.00          |
| 10   | 94015180    | PRESSURE REGULATOR (FOR TANK)         | 32.00         |
| 22   | 04016390    | SAFETY VALVE                          | 17.00         |
| 24   | 04020040    | FLUID OUTLET CONNECTING JOINT SUS 303 | 115.00        |
| 25   | 04016020    | PRESSURE GAUGE                        | 12.90         |
| 29   | 04020190    | HANDLE BOLT                           | 6.00          |
| 30   | 04020060    | WASHER                                | 1.00          |
| 31   | 04020070    | THUMB NUT                             | 27.00         |
| 32   | 04020220    | C-SNAP RING                           | 1.00          |
| 33   | 04020230    | STUD                                  | 4.00          |
| 34   | 04020090    | SUCTION PIPE SUS 303                  | 27.00         |
| 39   | 94016310    | AIR FLOW GUIDE                        | 11.00         |
| 45   | 94020100    | ADAPTER                               | 12.00         |
| 46   | 94020110    | ADAPTER                               | 12.00         |
| 47   | 94020120    | ADAPTER                               | 7.00          |
| 48   | 04020130    | PRESSURE REGULATOR (FOR GUN)          | 29.60         |
| 49   | 04020140    | FLUID OUTLET JOINT SUS 303 3/8"       | 11.00         |
| 50   | 04020160    | NUT                                   | 1.00          |
| 51   | 04020170    | INNER TANK SUS 304                    | 81.00         |





# MEDIUM & HIGH PRESSURE FLUID APPLICATIONS

## Airless & Multi Spray Guns



## Airless & Multi Spray Units



## FG-6 | FG-61 | FG-62



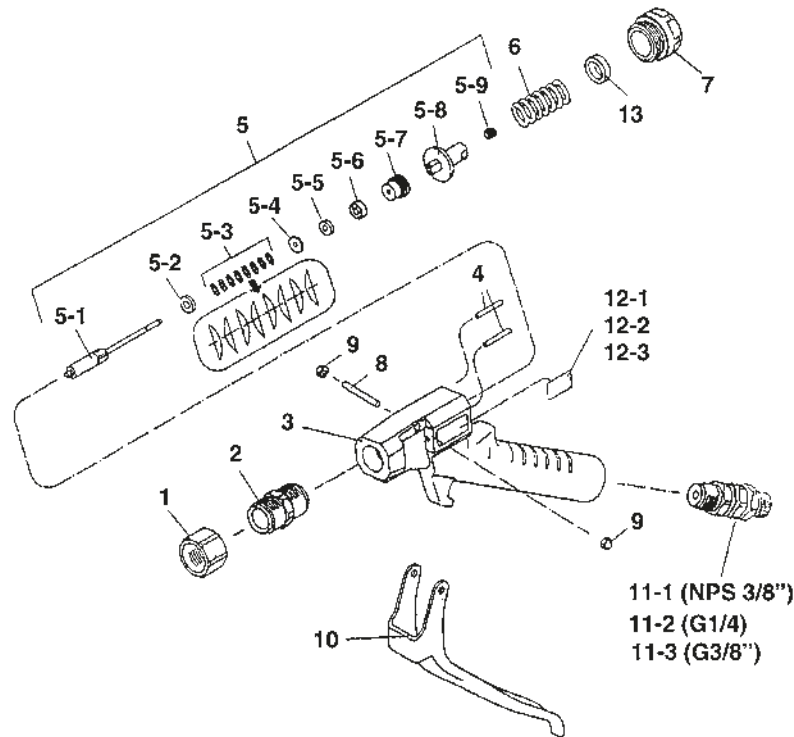
| TECHNICAL |             |      |     |
|-----------|-------------|------|-----|
|           | bar/psi     | Ø mm | g   |
| FG-6      | 250 / 3,625 | 3.0  | 440 |
| FG-61     |             |      |     |
| FG-62     |             |      |     |

FG-61 Air Nipple: G1/4" • FG-62 Fluid Nipple: G3/8"

### ORDER Information - FG-6 | FG-61 | FG-62

**NOZZLE TIP not INCLUDED**

| Code  | Description               | \$     |
|-------|---------------------------|--------|
| 7006B | FG-6 FLOW GUN (NPS 3/8")  | 461.00 |
| 7007B | FG-61 FLOW GUN (BSP 1/4") | 461.00 |
| 7005B | FG-62 FLOW GUN (BSP 3/8") | 461.00 |



### SPARE PARTS

| Ref.     | Code     | Description           | \$                |
|----------|----------|-----------------------|-------------------|
| 1        | 93546200 | NOZZLE TIP HOLDER     | 23.00             |
| 2        | 93807200 | NOZZLE GLAND SET      | 126.00            |
| 4        | 93574200 | NEEDLE SEAT           | 11.00             |
| 5        | 93808200 | FLUID NEEDLE SET      | 217.00            |
| 5-1      | 93809200 | NEEDLE BAR SET        | 145.00            |
| 5-2      | 93504180 | SPRING HOLDER         | 11.00             |
| 5-3      | 93844170 | CONICAL SPRING WASHER | 8 pcs./1 pk. 5.00 |
| 5-4      | 93067951 | PACKING HOLDER        | 8.00              |
| 5-5, 5-6 | 93846170 | NEEDLE PACKING SET    | 12.00             |
| 5-7      | 93505180 | NEEDLE PACKING SEAT   | 14.00             |
| 5-8      | 93500190 | NEEDLE SPRING HOLDER  | 36.00             |

| Ref. | Code     | Description        | \$                |
|------|----------|--------------------|-------------------|
| 5-9  | 96994603 | SCREW              | 4.00              |
| 6    | 93501190 | NEEDLE SPRING      | 15.00             |
| 7    | 93502190 | NEEDLE SPRING SEAT | 15.00             |
| 8    | 93505200 | TRIGGER STUD       | 11.00             |
| 9    | 96994103 | HEXAGON CAP NUT    | 2 pcs./1 pk. 3.00 |
| 10   | 93811200 | TRIGGER SET        | 59.00             |
| 11-1 | 93810200 | UNIVERSAL JOINT    | NPS 3/8" 83.00    |
| 11-2 | 93813200 | UNIVERSAL JOINT    | G 1/4" 74.00      |
| 11-3 | 93814200 | UNIVERSAL JOINT    | G 3/8" 86.00      |
| 13   | 93638200 | COLLAR (option)    | 11.00             |





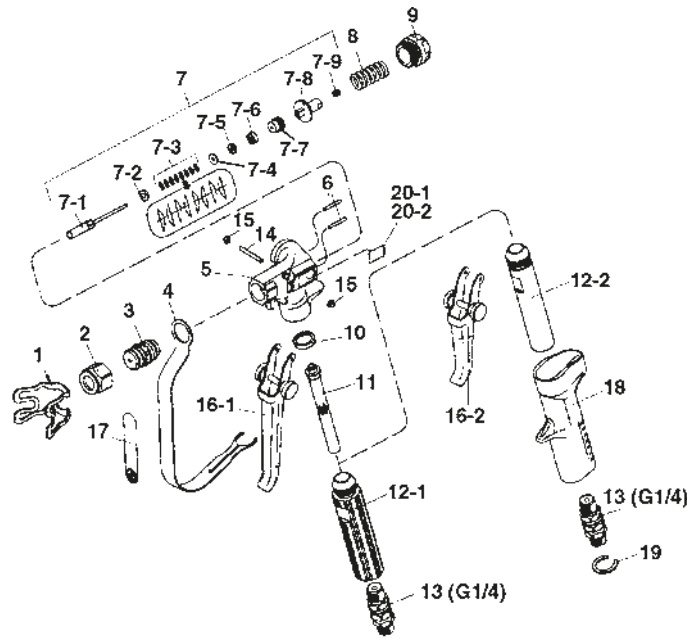
| TECHNICAL | bar/psi     | mesh | g   |
|-----------|-------------|------|-----|
| ALG-7     | 250 / 3,600 | 100  | 440 |
| ALG-72    |             |      | 415 |
| ALG-73    |             |      | 450 |

Fluid Nipple: G1/4"

### ORDER Information - ALG-7 | ALG-72 | ALG-73

**NOZZLE TIP not INCLUDED**

| Code  | Description              |               | \$     |
|-------|--------------------------|---------------|--------|
| 7041  | ALG-7 AIRLESS SPRAY GUN  | Large Trigger | 484.00 |
| 7003B | ALG-72 AIRLESS SPRAY GUN | Small Trigger | 484.00 |
| 7043  | ALG-73 AIRLESS SPRAY GUN | Large Trigger | 608.00 |



### SPARE PARTS

| Ref.     | Code     | Description                |              | \$     |
|----------|----------|----------------------------|--------------|--------|
|          | 03235590 | TIP PACKING                |              | 6.00   |
| 1        | 93501170 | HAND GUARD                 |              | 23.00  |
| 2        | 93503170 | NOZZLE GLAND               | 11/16"       | 35.00  |
| 3        | 93803170 | NOZZLE GLAND SET UNIVERSAL | 11/16"       | 161.00 |
| 4        | 93504170 | SAFETY GUARD               |              | 34.00  |
| 6        | 93502180 | NEEDLE SEAT                |              | 19.00  |
| 7        | 93807170 | NEEDLE SET                 |              | 97.00  |
| 7-1      | 93808170 | NEEDLE BAR SET             |              | 35.00  |
| 7-2      | 93504180 | SPRING HOLDER              |              | 11.00  |
| 7-3      | 93844170 | CONICAL SPRING WASHER      | 8 pcs./1 pk. | 5.00   |
| 7-4      | 93067951 | PACKING HOLDER             |              | 8.00   |
| 7-5, 7-6 | 93906100 | NEEDLE PACKING SET         |              | 6.00   |
| 7-7      | 93505180 | NEEDLE PACKING SEAT        |              | 14.00  |
| 7-8      | 93500190 | NEEDLE SPRING HOLDER       |              | 36.00  |
| 7-9      | 96994603 | SCREW                      |              | 4.00   |

| Ref. | Code     | Description         |               | \$     |
|------|----------|---------------------|---------------|--------|
| 8    | 93501190 | NEEDLE SPRING       |               | 15.00  |
| 9    | 93502190 | NEEDLE SPRING SEAT  |               | 15.00  |
| 10   | 93529180 | PACKING             |               | 5.00   |
| 11   | 93841170 | FILTER 100 Mesh     | 2 pcs./1 pk.  | 52.00  |
| 12-1 | 93503190 | HANDLE              | ALG-7, ALG-72 | 73.00  |
| 12-2 | 93511180 | HANDLE              | ALG-72        | 70.00  |
| 12-3 | 93510190 | HANDLE              | ALG-73        | 109.00 |
| 13   | 93003951 | UNIVERSAL JOINT     | G 1/4"        | 106.00 |
| 14   | 93504190 | TRIGGER S TUD       |               | 15.00  |
| 15   | 96994103 | HEX. CAP NUT        |               | 3.00   |
| 16-1 | 93805180 | TRIGGER SET (LARGE) | ALG-7, ALG-73 | 61.00  |
| 16-2 | 93806180 | TRIGGER SET (SMALL) | ALG-72        | 67.00  |
| 18   | 93507190 | OUTER HANDLE        |               | 74.00  |
| 19   | 93525170 | STOPPER             | ALG-72        | 6.00   |



## MSGGS-200 120S / 120L / 250S / 250L

### MSGGS-200

MULTI SPRAY SERIES



**MSGGS-200**  
120S



**MSGGS-200**  
120L



**MSGGS-200**  
250S



**MSGGS-200**  
250L

#### FEATURES

- MSGGS-200 combines the advantages of airless technology (speed, low overspray) with the advantages of conventional technology (excellent finishing) resulting in a product with high transfer efficiency and excellent finish quality
- Superior Design. Based on the breakthrough design of the SUPERNOVA, the MSGGS-200 combines perfect balance and optimal ergonomics
- Chrome plated gun body is easy to clean and maintain
- New air cap configuration creates increased pattern width control
- Quick and easy cap rotation. Plastic protection and PTFE packing make cap adjustment a simple and precise operation
- Soft trigger reduces fatigue

#### TECHNICAL

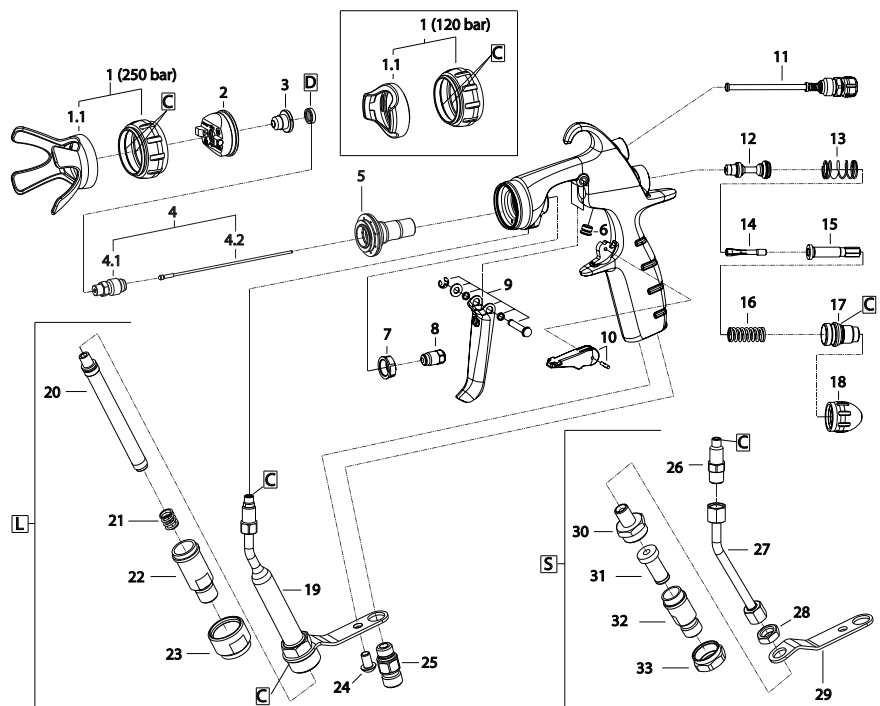
|                               | bar/psi | bar/psi | mesh         | g   |
|-------------------------------|---------|---------|--------------|-----|
| MSGGS-200 120S - Short Filter | 1740    | 7/101.5 | 100          | 584 |
| MSGGS-200 120L - Long Filter  |         |         | Not Included | 537 |
| MSGGS-200 250S - Short Filter | 3626    | 7/101.5 | 100          | 587 |
| MSGGS-200 250L - Long Filter  |         |         | Not Included | 545 |

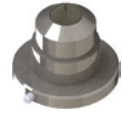
Air Nipple: G1/4" • Fluid Nipple: G1/4"

#### ORDER Information - MSGGS-200 SERIES

**NOZZLE TIP not INCLUDED**

| Code  | Description                                      | \$     |
|-------|--|--------|
| 7506S | MSGGS-200 120S MULTI SPRAY GUN with Short Filter | 697.76 |
| 7506L | MSGGS-200 120L MULTI SPRAY GUN with Long Filter  | 708.96 |
| 7507S | MSGGS-200 250S MULTI SPRAY GUN with Short Filter | 724.64 |
| 7507L | MSGGS-200 250L MULTI SPRAY GUN with Long Filter  | 739.20 |



**MSGS-200 120S / 120L / 250S / 250L**
**MSGS-200 - FLUID TIPS RANGE (Ref.3)**


| ∠°     | 10°      | 20°      | 30°      | 40°      | 50°      | 60°      | 70°      | 80°      | 90°      |
|--------|----------|----------|----------|----------|----------|----------|----------|----------|----------|
| Ø inch | Code     | Code     | Code     | Code     | Code     | Code     | Code     | Code     | Code     |
| 0.007  | MST-0710 | MST-0720 | MST-0730 | MST-0740 |          |          |          |          |          |
| 0.009  | MST-0910 | MST-0920 | MST-0930 | MST-0940 | MST-0950 |          |          |          |          |
| 0.011  | MST-1110 | MST-1120 | MST-1130 | MST-1140 | MST-1150 | MST-1160 | MST-1170 |          |          |
| 0.013  | MST-1310 | MST-1320 | MST-1330 | MST-1340 | MST-1350 | MST-1360 | MST-1370 | MST-1380 |          |
| 0.015  | MST-1510 | MST-1520 | MST-1530 | MST-1540 | MST-1550 | MST-1560 | MST-1570 | MST-1580 |          |
| 0.016  | MST-1610 | MST-1620 | MST-1630 | MST-1640 | MST-1650 | MST-1660 | MST-1670 | MST-1680 | MST-1690 |
| 0.018  |          | MST-1820 | MST-1830 | MST-1840 | MST-1850 | MST-1860 | MST-1870 | MST-1880 | MST-1890 |
| 0.020  |          |          | MST-2030 | MST-2040 | MST-2050 | MST-2060 | MST-2070 | MST-2080 | MST-2090 |
| 0.022  |          | MST-2220 | MST-2230 | MST-2240 | MST-2250 | MST-2260 | MST-2270 | MST-2280 | MST-2290 |
| 0.024  |          |          | MST-2430 | MST-2440 | MST-2450 | MST-2460 | MST-2470 | MST-2480 | MST-2490 |
| 0.027  |          |          |          | MST-2740 | MST-2750 | MST-2760 | MST-2770 | MST-2780 | MST-2790 |
| 0.029  |          |          |          | MST-2940 | MST-2950 | MST-2960 | MST-2970 | MST-2980 | MST-2990 |
| 0.031  |          |          |          | MST-3140 | MST-3150 | MST-3160 | MST-3170 | MST-3180 | MST-3190 |
| 0.033  |          |          |          |          |          | MST-3360 |          |          |          |
| 0.035  |          |          |          | MST-3540 | MST-3550 | MST-3560 | MST-3570 | MST-3580 | MST-3590 |
| 0.039  |          |          |          |          | MST-3950 | MST-3960 |          |          |          |
| 0.041  |          |          |          |          |          | MST-4160 | MST-4170 | MST-4180 | MST-4190 |

**SPARE PARTS**

| Ref. | Code     | Description                    |             | \$     |
|------|----------|--------------------------------|-------------|--------|
| 1    | 93004420 | AIR CAP COVER                  | 250L / 250S | 23.89  |
| 1.1  | 93004430 | AIR CAP PROTECTION             | 250L / 250S | 8.23   |
| 1    | 93004490 | AIR CAP COVER                  | 120L / 120S | 23.65  |
| 1.1  | 93004500 | AIR CAP PROTECTION             | 120L / 120S | 8.17   |
| 2    | 93004320 | AIR CAP                        |             | 83.84  |
| 3    |          | FLUID TIP                      |             | 99.00  |
| 4    | 93004160 | NOZZLE NEEDLE + FLUID NEED SET |             | 121.11 |
| 4.1  | 93004170 | FLUID NOZZLE                   |             | 32.67  |
| 4.2  | 93004450 | FLUID NEEDLE                   |             | 66.60  |
| 5    | 93004230 | NOZZLE HOLDER                  |             | 61.10  |
| 6    | 93004310 | PLUG                           |             | 8.29   |
| 7    | 93004300 | NUT                            |             | 10.28  |
| 8    | 93004410 | NEEDLE PACKING SET             |             | 54.87  |
| 9    | 93004200 | TRIGGER SET                    |             | 26.07  |
| 10   | 93004190 | SAFETY LOCK SET                |             | 11.37  |
| 11   | 93004290 | PATTERN ADJUSTMENT             |             | 27.71  |
| 12   | 93004260 | AIR VALVE                      |             | 43.07  |
| 13   | 93004330 | AIR VALVE SPRING               |             | 7.14   |
| 14   | 93004240 | COLLET                         |             | 23.11  |
| 15   | 93004250 | NEEDLE BUSHING                 |             | 22.98  |
| 16   | 93004270 | NEEDLE SPRING                  | 250L / 250S | 7.26   |
| 16   | 93004150 | NEEDLE SPRING                  | 120L / 120S | 7.26   |
| 17   | 93004280 | NEEDLE GUIDE                   |             | 14.52  |
| 18   | 93004400 | PLUG                           |             | 14.09  |

| Ref. | Code      | Description                |             | \$     |
|------|-----------|----------------------------|-------------|--------|
| 19   | 93004390  | FILTER CASE                | 120L / 250L | 172.38 |
| 20   | VFM2002   | FILTER 50 MESH (optional)  | 120L / 250L | 1.56   |
| 20   | VFM2004   | FILTER 100 MESH (optional) | 120L / 250L | 1.56   |
| 20   | VFM2005   | FILTER 150 MESH (optional) | 120L / 250L | 1.56   |
| 20   | VFM2006   | FILTER 200 MESH (optional) | 120L / 250L | 1.56   |
| 21   | 93004380  | FILTER SPRING              | 120L / 250L | 9.01   |
| 22   | 93004360  | FILTER JOINT               | 120L / 250L | 44.15  |
| 23   | 93004370  | FILTER NUT                 | 120L / 250L | 18.16  |
| 24   | 93004350  | SCREW                      |             | 6.53   |
| 25   | 93004340  | AIR NIPPLE                 |             | 11.13  |
| 26   | 93004530  | FLUID JOINT                | 120S / 250S | 14.09  |
| 27   | 93004130  | FLUID TUBE                 | 120S / 250S | 98.73  |
| 28   | 93514240  | NUT                        | 120S / 250S | 10.09  |
| 29   | 93004140  | PLATE                      | 120S / 250S | 17.85  |
| 30   | 93514230  | FILTER CASE                | 120S / 250S | 68.00  |
| 31   | VFM2801/S | FILTER 60 MESH             | 120S / 250S | 15.58  |
| 31   | VFM2802/S | FILTER 100 MESH            | 120S / 250S | 16.00  |
| 31   | VFM2803/S | FILTER 200 MESH            | 120S / 250S | 16.14  |
| 32   | 93515230  | FILTER JOINT               | 120S / 250S | 76.00  |
| 33   | 93516230  | FILTER NUT                 | 120S / 250S | 37.00  |
| C    | 93004210  | PACKING SET                |             | 21.96  |
| D    | 93004850  | TIP FILTER SET             |             | 15.12  |
| D    | 93004860  | TIP PACKING SET            |             | 14.59  |
| Opt. | 03004520  | SWIVEL JOINT               |             | 51.52  |

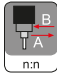


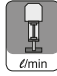



## ALS-333 C | ALS-423 TX | ALS-433 C | ALS-433 TX

### FEATURES

- For solvent and water-based paints
- All versions mounted on cart with:
  - Air regulator
  - Paint filter unit
  - Dip tube with filter
  - Fluid recirculation hose
  - Overpressure valve
  - Antipulsation hose (optional)

### TECHNICAL

|            |  |  |  |  |  |
|------------|--|---|---|---|---|
|            | n:n  | bar/psi   | bar/psi   | l/min   | mesh  |
| ALS-333 C  | 25:1   | 170/2,456   | 6.8/98  | 2.5 (90 cyc)  | 50  |
| ALS-423 TX | 23:1   | 156/2,262   |   | 8.0 (100 cyc)   | 30  |
| ALS-433 C  | 30:1   | 204/2,958   |   | 5.0 (90 cyc)  | 50  |
| ALS-433 TX | 30:1   |   |   | 5.0 (90 cyc)  | 30  |

Air Nipple: G1/4" • Fluid Nipple: G1/4"

### ALS-333 C

Pump - PP1251C

### ALS-423 TX

Pump - PP4231NE

### ALS-433 C | ALS-433 TX

Pump - PP4301C

Pump - PP4301CNE



### ORDER Information - AIRLESS UNITS

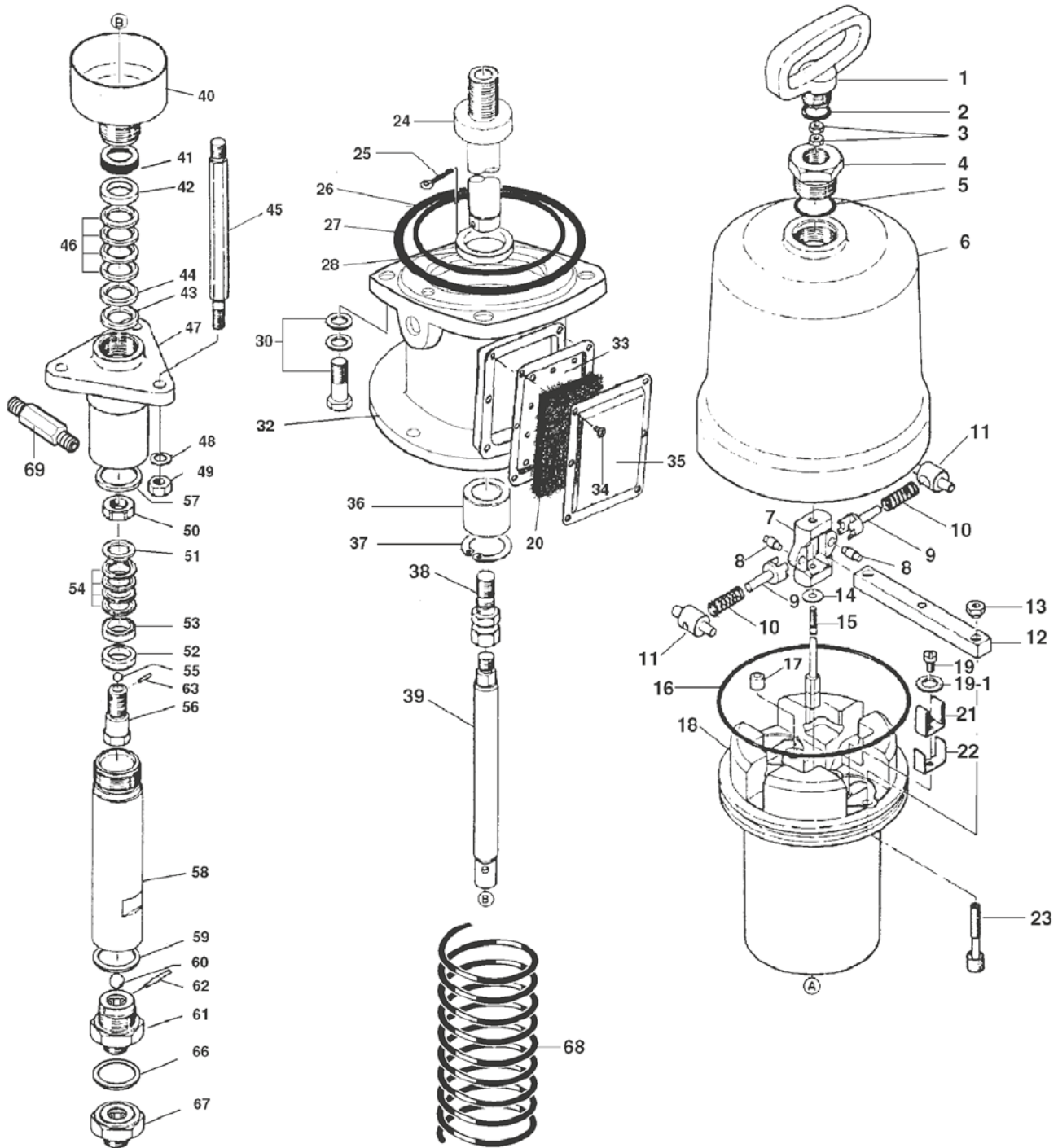
| Code         | Description   | \$       |
|--------------|---|----------|
| 7510B        | ALS-333 C AIRLESS UNIT                                      | 4,566.00 |
| 7516         | ALS-423 TX AIRLESS UNIT with STAINLESS STEEL PAINT PASSAGES | 4,965.00 |
| 1405834800   | ALS-433 C AIRLESS UNIT with STAINLESS STEEL PAINT PASSAGES  | 3,642.00 |
| 1A301W083100 | ALS-433 TX AIRLESS UNIT (WATER BASED VERSION)               | 4,999.00 |

### ACCESSORIES

| Code       | Description   | for Version                             | \$     |
|------------|---|---|--------|
| 8132       | TF 8 COMPLETE FILTER SET                                      | for ALS 333 C - ALS 433 C               | 378.00 |
| 1457000000 | TF 8N COMPLETE FILTER SET                                     | for ALS 423 TX - ALS 433 TX             | 647.46 |
| 0200309101 | AIR REGULATOR SET   | for ALS 333 C                           | 193.00 |
| 0200309401 | AIR REGULATOR SET   | for ALS 423 TX - ALS 433 C - ALS 433 TX | 193.00 |
| 0101009000 | DIP TUBE SET (50 mesh filter)                                 | for ALS 333 C - ALS 433 C               | 147.00 |
| 0101030000 | DIP TUBE SET with STAINLESS STEEL CONNECTION (30 mesh filter) | for ALS 423 TX - ALS 433 TX             | 475.00 |







## ALS-333 C | ALS-423 TX | ALS-433 C | ALS-433 TX

| Ref. | Code       | Description                    | ALS-333 C   | ALS-423 TX | ALS-433 C | ALS-433 TX | \$     |
|------|------------|--------------------------------|-------------|------------|-----------|------------|--------|
| 1    | 04470100   | HANDLE                         | X           | X          | X         | X          | 35.00  |
| 2    | 94447100   | PACKING                        | X           | X          | X         | X          | 6.00   |
| 3    | UL300702   | HEXAGON NUT                    | X           | X          | X         | X          | 2.00   |
| 4    | 04435100   | HEAD BOLT                      | X           |            |           |            | 24.00  |
| 4    | 04435150   | HEAD BOLT                      |             | X          | X         | X          | 21.00  |
| 5    | 06630030   | O RING                         | X           | X          | X         | X          | 2.00   |
| 6    | 0440110000 | AIR CYLINDER                   | X           |            |           |            | 177.00 |
| 6    | 0440115000 | AIR CYLINDER                   |             | X          | X         | X          | 221.00 |
| 7    | 04409100   | CHANGEOVER MAIN BODY           | X           |            |           |            | 163.00 |
| 7    | 04409150   | CHANGEOVER MAIN BODY           |             | X          | X         | X          | 67.00  |
| 8    | 04420100   | PIN                            | X           |            |           |            | 11.00  |
| 8    | 04420150   | PIN                            |             | X          | X         | X          | 12.00  |
| 9    | 04411100   | CHANGEOVER PIN                 | X           |            |           |            | 39.00  |
| 9    | 04411150   | CHANGEOVER PIN                 |             | X          | X         | X          | 39.00  |
| 10   | 04412100   | SPRING                         | X           |            |           |            | 5.00   |
| 10   | 04412150   | SPRING                         |             | X          | X         | X          | 5.00   |
| 11   | 04419100   | SPRING HOLDER                  | X           |            |           |            | 23.00  |
| 11   | 04419150   | SPRING HOLDER                  |             | X          | X         | X          | 27.00  |
| 12   | 04407100   | CHANGEOVER BAR                 | X           |            |           |            | 62.00  |
| 12   | 04407150   | CHANGEOVER BAR                 |             | X          | X         | X          | 46.00  |
| 13   | 04415100   | NUT                            | X           |            |           |            | 5.00   |
| 13   | 04415150   | NUT                            |             | X          | X         | X          | 5.00   |
| 14   | 04444110   | WASHER                         | X           | X          | X         | X          | 3.00   |
| 15   | 04410100   | CHANGEOVER ROD                 | X           |            |           |            | 35.00  |
| 15   | 04410150   | CHANGEOVER ROD                 |             | X          | X         | X          | 15.00  |
| 16   | 06638043   | PISTON O-RING                  | X           |            |           |            | 2.00   |
| 16   | 06630145   | PISTON O-RING                  |             | X          | X         | X          | 2.00   |
| 17   | 94935680   | EXHAUST PACKING SET            | 2 pcs./1pk. | X          | X         | X          | 10.00  |
| 18   | 0440310000 | AIR PISTON                     | X           |            |           |            | 283.00 |
| 18   | 0440315000 | AIR PISTON                     |             | X          | X         | X          | 443.00 |
| 19   | UL300606   | SCREW                          | X           | X          | X         | X          | 2.00   |
| 19-1 | UL300820   | SPRING WASHER                  | X           | X          | X         | X          | 4.00   |
| 20   | UM331028   | MUFFLER FILTER                 | X           | X          | X         | X          | 2.00   |
| 21   | 04408100   | CHANGEOVER BAR SUPPORT         | X           |            |           |            | 15.00  |
| 21   | 04408150   | CHANGEOVER BAR SUPPORT         |             | X          | X         | X          | 15.00  |
| 22   | 04413100   | REINFORCE PLATE                | X           |            |           |            | 9.00   |
| 22   | 04413150   | REINFORCE PLATE                |             | X          | X         | X          | 9.00   |
| 23   | 04934690   | VALVE SHAFT KIT                | 2 pcs./1pk. | X          |           |            | 73.00  |
| 23   | 04936570   | VALVE SHAFT KIT                | 2 pcs./1pk. |            | X         | X          | 83.00  |
| 24   | 04479100   | PISTON ROD                     | X           |            |           |            | 106.00 |
| 24   | 04479150   | PISTON ROD                     |             | X          | X         | X          | 131.00 |
| 25   | UM330155   | SPLIT PIN                      | X           | X          | X         | X          | 2.00   |
| 26   | 96638039   | O RING                         | X           |            |           |            | 12.00  |
| 26   | 96630112   | O RING                         |             | X          | X         | X          | 3.00   |
| 27   | 96634120   | O RING                         | X           |            |           |            | 9.00   |
| 27   | 96637537   | O RING                         |             | X          | X         | X          | 11.00  |
| 28   | 04459100   | STOPPER                        | X           | X          | X         | X          | 4.00   |
| 30   | 06137130   | BOLT + WASHER                  | X           |            |           |            | 2.00   |
| 30   | 06137830   | BOLT + WASHER                  |             | X          | X         | X          | 2.00   |
| 32   | UM33102102 | MAIN BODY                      | X           |            |           |            | 212.00 |
| 32   | UM43102102 | MAIN BODY                      |             | X          | X         | X          | 230.00 |
| 33   | UM331027   | MUFFLER PLATE                  | X           | X          | X         | X          | 15.00  |
| 34   | UL300620   | SCREW                          | X           | X          | X         | X          | 2.00   |
| 35   | UM331026   | EXHAUST COVER                  | X           | X          | X         | X          | 14.00  |
| 36   | 04431100   | BUSHING                        | X           |            |           |            | 68.00  |
| 36   | 04431150   | BUSHING                        |             | X          | X         | X          | 68.00  |
| 37   | UL300804   | STOPPER                        | X           |            |           |            | 4.00   |
| 37   | UM431060   | STOPPER                        |             | X          | X         | X          | 2.00   |
| 38   | 04485100   | CONNECTING ADAPTOR             | X           |            |           |            | 13.00  |
| 38   | 04485150   | CONNECTING ADAPTOR             |             | X          | X         | X          | 13.00  |
| 39   | 04430100   | ROD                            | X           |            |           |            | 269.00 |
| 39   | 0231001000 | ROD                            |             | X          |           |            | 404.00 |
| 39   | 04430150   | ROD                            |             |            | X         |            | 286.00 |
| 39   | 04002790   | ROD                            |             |            |           | X          | 407.00 |
| 39   | 0443021000 | ROD                            |             |            |           |            | 153.00 |
| 40   | 0448210003 | THINNER CUP SET                | X           |            |           |            | 99.00  |
| 40   | 0231002001 | THINNER CUP SET                |             | X          |           |            | 117.00 |
| 40   | 0448215002 | THINNER CUP SET                |             |            | X         |            | 107.00 |
| 40   | 0171003001 | THINNER CUP SET                |             |            |           | X          | 114.00 |
| 40   | 0448220001 | THINNER CUP SET                |             |            |           |            | 71.00  |
| 41   | 04471100   | SLEEVE                         | X           |            |           |            | 33.00  |
| 41   | 04010700   | SLEEVE                         |             | X          |           |            | 4.00   |
| 41   | 04471150   | SLEEVE                         |             |            | X         |            | 30.00  |
| 41   | 0171009000 | SLEEVE                         |             |            |           | X          | 6.00   |
| 41   | 0447120000 | SLEEVE                         |             |            |           |            | 22.00  |
| 42   | 94441100   | V PACKING FEMALE UPPER ADAPTOR | X           |            |           |            | 19.00  |
| 42   | 0231003000 | V PACKING FEMALE UPPER ADAPTOR |             | X          |           |            | 29.00  |
| 42   | 94441150   | V PACKING FEMALE UPPER ADAPTOR |             |            | X         |            | 20.00  |
| 42   | 04004790   | V PACKING FEMALE UPPER ADAPTOR |             |            |           | X          | 29.00  |
| 42   | 0444120000 | V PACKING FEMALE UPPER ADAPTOR |             |            |           |            | 22.00  |
| 43   | 04401110   | SPACER                         | X           |            |           |            | 13.00  |
| 43   | 0231025000 | SPACER                         |             | X          |           |            | 13.00  |
| 43   | 04401160   | SPACER                         |             |            | X         | X          | 13.00  |



**ALS-333 C | ALS-423 TX | ALS-433 C | ALS-433 TX**

| Ref. | Code       | Description                    |             | ALS-333 C | ALS-423 TX | ALS-433 C | ALS-433 TX | \$     |
|------|------------|--------------------------------|-------------|-----------|------------|-----------|------------|--------|
| 43   | 04001160   | SPACER                         |             |           |            |           |            | 13.00  |
| 44   | 04443100   | V PACKING MALE UPPER ADAPTOR   |             | X         |            |           |            | 25.00  |
| 44   | 0231005000 | V PACKING MALE UPPER ADAPTOR   |             |           | X          |           |            | 24.00  |
| 44   | 04443150   | V PACKING MALE UPPER ADAPTOR   |             |           |            | X         |            | 23.00  |
| 44   | 04000800   | V PACKING MALE UPPER ADAPTOR   |             |           |            |           | X          | 27.00  |
| 44   | 0444320000 | V PACKING MALE UPPER ADAPTOR   |             |           |            |           |            | 21.00  |
| 45   | 0443011000 | CONNECTING ROD                 |             | X         |            |           |            | 24.00  |
| 45   | 0231022001 | CONNECTING ROD                 |             |           | X          |           | X          | 27.00  |
| 45   | 0443016000 | CONNECTING ROD                 |             |           |            | X         |            | 24.00  |
| 46   | 0493210000 | UPPER V PACKING SET            | 4 pcs./1pk. | X         |            |           |            | 23.00  |
| 46   | 0494231100 | UPPER V PACKING SET            | 4 pcs./1pk. |           | X          |           |            | 32.00  |
| 46   | 0494015000 | UPPER V PACKING SET            | 4 pcs./1pk. |           |            | X         | X          | 41.00  |
| 46   | 0494020000 | UPPER V PACKING SET            | 4 pcs./1pk. |           |            |           |            | 37.00  |
| 47   | 0448310100 | SUCTION MAIN BODY              |             | X         |            |           |            | 98.00  |
| 47   | 0231008001 | SUCTION MAIN BODY              |             |           | X          |           | X          | 150.00 |
| 47   | 0448315100 | SUCTION MAIN BODY              |             |           |            | X         |            | 106.00 |
| 47   | 0448320200 | SUCTION MAIN BODY              |             |           |            |           |            | 142.00 |
| 48   | UL300802   | SPRING WASHER                  |             | X         | X          | X         | X          | 2.00   |
| 49   | UL300703   | HEXAGON NUT                    |             | X         | X          | X         | X          | 2.00   |
| 50   | 94445110   | NUT                            |             | X         |            |           |            | 41.00  |
| 50   | 0231020000 | NUT                            |             |           | X          |           |            | 14.00  |
| 50   | 94414150   | NUT                            |             |           |            | X         |            | 55.00  |
| 50   | 04000790   | NUT                            |             |           |            |           | X          | 62.00  |
| 50   | 0444520000 | NUT                            |             |           |            |           |            | 21.00  |
| 51   | 04443110   | V PACKING MALE LOWER ADAPTOR   |             | X         |            |           |            | 10.00  |
| 51   | 0231019000 | V PACKING MALE LOWER ADAPTOR   |             |           | X          |           |            | 22.00  |
| 51   | 94443161   | V PACKING MALE LOWER ADAPTOR   |             |           |            | X         |            | 21.00  |
| 51   | 04001800   | V PACKING MALE LOWER ADAPTOR   |             |           |            |           | X          | 24.00  |
| 51   | 0444321100 | V PACKING MALE LOWER ADAPTOR   |             |           |            |           |            | 21.00  |
| 52   | 04402110   | LOWER DISTANCE RING            |             | X         |            |           |            | 13.00  |
| 52   | 0231010000 | LOWER DISTANCE RING            |             |           | X          |           |            | 10.00  |
| 52   | 04400160   | LOWER DISTANCE RING            |             |           |            | X         |            | 13.00  |
| 52   | 0400016000 | LOWER DISTANCE RING            |             |           |            |           | X          | 14.00  |
| 53   | 04441110   | V PACKING FEMALE LOWER ADAPTOR |             | X         |            |           |            | 20.00  |
| 53   | 0231017000 | V PACKING FEMALE LOWER ADAPTOR |             |           | X          |           |            | 19.00  |
| 53   | 04441160   | V PACKING FEMALE LOWER ADAPTOR |             |           |            | X         |            | 18.00  |
| 53   | 04005790   | V PACKING FEMALE LOWER ADAPTOR |             |           |            |           | X          | 24.00  |
| 53   | 0444121100 | V PACKING FEMALE LOWER ADAPTOR |             |           |            |           |            | 22.00  |
| 54   | 0493010000 | LOWER V PACKING SET            | 4 pcs./1pk. | X         |            |           |            | 19.00  |
| 54   | 0494231200 | LOWER V PACKING SET            | 4 pcs./1pk. |           | X          |           |            | 32.00  |
| 54   | 0494215000 | LOWER V PACKING SET            | 4 pcs./1pk. |           |            | X         | X          | 30.00  |
| 54   | 0494220000 | LOWER V PACKING SET            | 4 pcs./1pk. |           |            |           |            | 37.00  |
| 55   | 96662025   | BALL                           |             | X         |            | X         |            | 6.00   |
| 55   | 06662040   | BALL                           |             |           | X          |           |            | 10.00  |
| 55   | 06662026   | BALL                           |             |           |            |           | X          | 6.00   |
| 56   | 04461100   | VALVE HOLDER SET               |             | X         |            |           |            | 258.00 |
| 56   | 0231029001 | VALVE HOLDER SET               |             |           | X          |           |            | 219.00 |
| 56   | 04460160   | VALVE HOLDER SET               |             |           |            | X         |            | 272.00 |
| 56   | 0446017100 | VALVE HOLDER SET               |             |           |            |           | X          | 219.00 |
| 56   | 0446120000 | VALVE HOLDER SET               |             |           |            |           |            | 90.00  |
| 57   | 94447600   | UPPER PACKING                  |             | X         |            |           |            | 11.00  |
| 57   | 0231007000 | UPPER PACKING                  |             |           | X          |           |            | 9.00   |
| 57   | 94447150   | UPPER PACKING                  |             |           |            | X         |            | 11.00  |
| 57   | 0231015000 | UPPER PACKING                  |             |           |            |           | X          | 13.00  |
| 57   | 0444720000 | UPPER PACKING                  |             |           |            |           |            | 4.00   |
| 58   | 0443410001 | SUCTION TUBE                   |             | X         |            |           |            | 342.00 |
| 58   | 0231024000 | SUCTION TUBE                   |             |           | X          |           |            | 418.00 |
| 58   | 0443415001 | SUCTION TUBE                   |             |           |            | X         |            | 296.00 |
| 58   | 0171001000 | SUCTION TUBE                   |             |           |            |           | X          | 536.00 |
| 58   | 0443420000 | SUCTION TUBE                   |             |           |            |           |            | 381.00 |
| 59   | 94447610   | LOWER PACKING                  |             | X         |            |           |            | 11.00  |
| 59   | 0231030000 | LOWER PACKING                  |             |           | X          |           | X          | 13.00  |
| 59   | 94447160   | LOWER PACKING                  |             |           |            | X         |            | 11.00  |
| 60   | 96662050   | BALL                           |             | X         |            | X         |            | 11.00  |
| 60   | 06662051   | BALL                           |             |           | X          |           | X          | 14.00  |
| 60   | 06662040   | BALL                           |             |           |            |           |            | 4.00   |
| 61   | 04407060   | VALVE ADAPTOR SET              |             | X         |            |           |            | 109.00 |
| 61   | 0231028000 | VALVE ADAPTOR SET              |             |           | X          |           | X          | 348.00 |
| 61   | 04460150   | VALVE ADAPTOR SET              |             |           |            | X         |            | 109.00 |
| 61   | 0446020000 | VALVE ADAPTOR SET              |             |           |            |           |            | 111.00 |
| 62   | 04420600   | PIN                            |             | X         |            |           |            | 2.00   |
| 62   | 0231023000 | PIN                            |             |           | X          |           | X          | 8.00   |
| 62   | 04420160   | PIN                            |             |           |            | X         |            | 4.00   |
| 63   | 04420170   | PIN                            |             |           |            | X         | X          | 4.00   |
| 63   | 0657502000 | PIN                            |             |           |            |           |            | 2.00   |
| 64   | 0231009000 | SCREW                          |             |           | X          |           |            | 2.00   |
| 65   | 0231014000 | SPRING                         |             |           | X          |           |            | 2.00   |
| 66   | 0231031000 | PACKING                        |             |           | X          |           | X          | 4.00   |
| 67   | UL30046400 | NIPPLE                         |             |           | X          |           | X          | 45.00  |
| 68   | 04413050   | SPRING                         |             | X         | X          | X         | X          | 15.00  |
| 69   | UM43061000 | FLUID OUTPUT JOINT             |             |           | X          |           |            | 29.00  |
| 69   | UM43060900 | FLUID OUTPUT JOINT             |             |           |            |           | X          | 29.00  |
| 72   | UM43061101 | FLUID OUTPUT JOINT             |             | X         |            | X         |            | 23.00  |

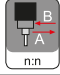


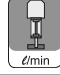



## MSU 11N | MSU 32N

### FEATURES

- Equipped with:  
Air regulator  
Paint filter unit  
Dip tube with filter  
Fluid recirculation hose  
Overpressure valve

### TECHNICAL

|         |  n:n |  bar/psi |  bar/psi |  l/min |  mesh |
|---------|---|---|---|---|--|
| MSU 11N | 13:1  | 88/1,276  | 6.8/98  | 1.9 (110 cyc)   | 50   |
| MSU 32N | 17:1  | 114/1,666   | 6.8/98  | 3.5   | 50   |

Air Nipple: Rc 1/2" • Fluid Nipple: G1/4"

### MSU 11N



### MSU 323N-SYS



### ORDER Information - MSU 11N 13:1 MULTI SPRAY UNIT

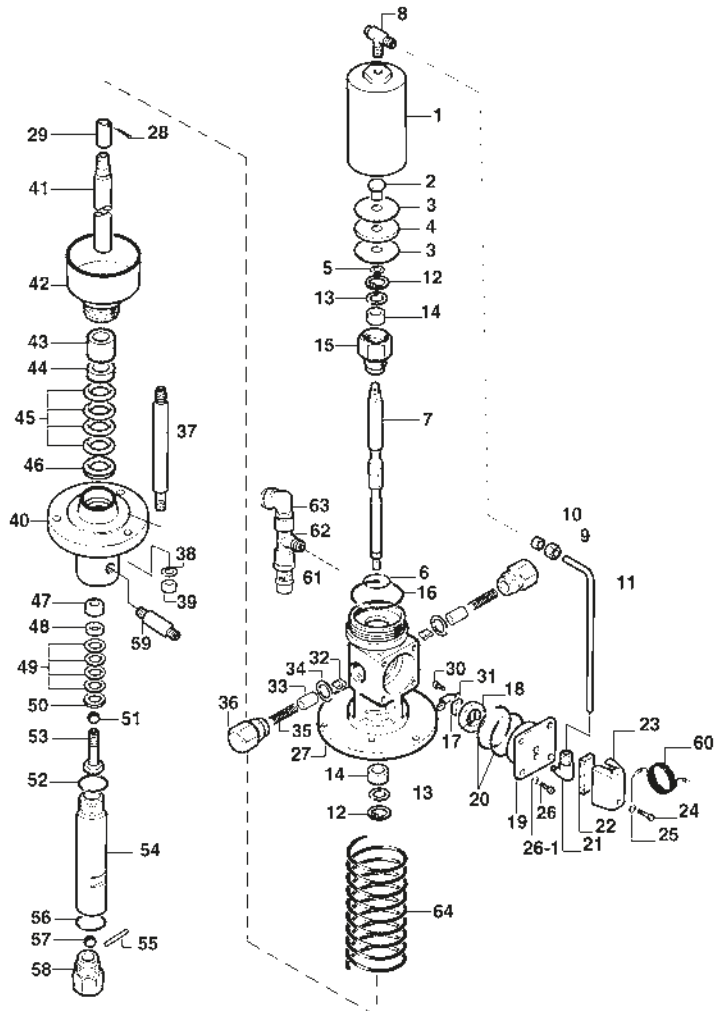
| Code | Description                    | Order Ref. | Type                           | \$       |
|------|--------------------------------|------------|--------------------------------|----------|
| 7161 | MSU Multi Spray Unit           | 111N       | Stand Mount                    | 2,081.00 |
| 7163 | MSU Multi Spray Unit           | 113N       | Cart Mount                     | 2,104.00 |
| 7164 | MSU Multi Spray Unit           | 114N       | Wall Mount                     | 1,979.00 |
| 7166 | MSU Multi Spray System         | 111N-SYS   | Stand Mount with Gun and Hoses | 2,947.00 |
| 7168 | MSU Multi Spray System         | 113N-SYS   | Cart Mount with Gun and Hoses  | 2,970.00 |
| 7169 | MSU114N-SYS Multi Spray System |            | Wall Mount with Gun and Hoses  | 2,846.00 |

### ORDER Information - MSU 32N 17:1 MULTI SPRAY UNITS (Parts P. 88-89)

| Code | Description            | Order Ref. | Type                          | \$       |
|------|------------------------|------------|-------------------------------|----------|
| 7173 | MSU Multi Spray Unit   | 323N       | Cart Mount                    | 3,071.00 |
| 7178 | MSU Multi Spray System | 323N-SYS   | Cart Mount with Gun and Hoses | 3,937.00 |
| 7174 | MSU Multi Spray Unit   | 324N       | Wall Mount                    | 2,936.00 |
| 7179 | MSU Multi Spray System | 324N-SYS   | Wall Mount with Gun and Hoses | 3,801.00 |



| Ref. | Code       | Description                    | MSU 11N | \$     |
|------|------------|--------------------------------|---------|--------|
| 1    | 04401051   | AIR CYLINDER                   | x       | 53.00  |
| 2    | 04437050   | CAP NUT                        | x       | 8.00   |
| 3    | 04444050   | WASHER                         | x       | 20.00  |
| 4    | 09447080   | PACKING                        | x       | 11.00  |
| 5    | UL300800   | WASHER                         | x       | 2.00   |
| 6    | 96630022   | O-RING                         | x       | 4.00   |
| 7    | 94492050   | SPINDLE SET                    | x       | 578.00 |
| 8    | 04438081   | SPECIAL JOINT                  | x       | 7.00   |
| 9    | 06805480   | JOINT NUT                      | x       | 3.00   |
| 10   | 06806480   | SLEEVE                         | x       | 2.00   |
| 11   | 04486052   | HOSE                           | x       | 2.00   |
| 12   | 06613240   | STOPPER                        | x       | 6.00   |
| 13   | 04444090   | WASHER                         | x       | 6.00   |
| 14   | 04449080   | PACKING                        | x       | 11.00  |
| 15   | 04459051   | STOPPER                        | x       | 23.00  |
| 16   | 96634060   | O-RING                         | x       | 6.00   |
| 17   | 94488051   | BLOCK                          | x       | 21.00  |
| 18   | 04406051   | GUIDE PLATE                    | x       | 2.00   |
| 19   | 04405060   | SEAT BLOCK                     | x       | 273.00 |
| 20   | 96634045   | O- RING                        | x       | 5.00   |
| 21   | 06800481   | ELBOW UNION                    | x       | 16.00  |
| 22   | 94402050   | EXHAUST MUFFLER                | x       | 4.00   |
| 23   | 04405051   | EXHAUST COVER                  | x       | 7.00   |
| 24   | 06154073   | SCREW                          | x       | 2.00   |
| 25   | 96500406   | SPRING WASHER                  | x       | 3.00   |
| 26   | 06136614   | BOLT                           | x       | 2.00   |
| 26-1 | UL300820   | SPRING WASHER                  | x       | 4.00   |
| 27   | 04943051   | MAIN BODY SET                  | x       | 275.00 |
| 28   | UL300811   | SPLIT PIN                      | x       | 2.00   |
| 29   | 04400080   | ADAPTOR                        | x       | 15.00  |
| 30   | 06131308   | SCREW                          | x       | 2.00   |
| 31   | 94488061   | BLOCK CARRIER                  | x       | 9.00   |
| 32   | 04457062   | INTERLOCK PIECE                | x       | 6.50   |
| 33   | 04457090   | INTERLOCK END PIECE            | x       | 15.50  |
| 34   | 04428050   | WASHER                         | x       | 8.50   |
| 35   | 94412060   | SPRING                         | x       | 8.00   |
| 36   | 04458070   | CAP                            | x       | 42.00  |
| 37   | 0171002010 | CONNECTING ROD                 | x       | 31.50  |
| 38   | UL300802   | SPRING WASHER                  | x       | 2.00   |
| 39   | UL300703   | HEXAGON NUT                    | x       | 2.00   |
| 40   | 0448310100 | SUCTION MAIN BODY              | x       | 98.00  |
| 41   | 94403080   | ROD                            | x       | 384.00 |
| 42   | 04404080   | THINNER CUP SET                | x       | 53.00  |
| 43   | 94022090   | SLEEVE                         | x       | 5.00   |
| 44   | 94404090   | V PACKING FEMALE UPPER ADAPTOR | x       | 39.00  |
| 45   | 94932100   | UPPER V PACKING SET            | x       | 51.00  |
| 46   | 94405090   | V PACKING MALE UPPER ADAPTOR   | x       | 55.00  |
| 47   | 04407050   | NUT                            | x       | 8.00   |
| 48   | 94408050   | V PACKING MALE LOWER ADAPTOR   | x       | 51.00  |
| 49   | 94930100   | LOWER V PACKING SET            | x       | 51.00  |
| 50   | 94410050   | V PACKING FEMALE LOWER ADAPTOR | x       | 51.00  |
| 51   | 96662025   | BALL                           | x       | 6.00   |
| 52   | 94447600   | PACKING                        | x       | 11.00  |
| 53   | 94461100   | VALVE HOLDER SET               | x       | 258.00 |
| 54   | 04411050   | SUCTION TUBE                   | x       | 258.00 |
| 55   | 94420600   | PIN                            | x       | 8.00   |
| 56   | 94447610   | PACKING                        | x       | 11.00  |
| 57   | 96662050   | BALL                           | x       | 11.00  |
| 58   | 94407060   | VALVE ADAPTOR SET              | x       | 152.00 |
| 59   | UM43060900 | FLUID OUTPUT JOINT             | x       | 29.00  |
| 60   | ME100001   | GROUND WIRE                    | x       | 6.00   |
| 61   | UL30036000 | SAFETY VALVE                   | x       | 46.00  |
| 62   | UL30030000 | "T" JOINT                      | x       | 7.00   |
| 63   | UL300309   | "L" QUICK COUPLING             | x       | 17.00  |
| 64   | 04413050   | SPRING                         | x       | 15.00  |



MSU 32N Spare Parts - P. 88

| KITS & OPTIONAL ACCESSORIES |   |          |
|-----------------------------|---|----------|
| Code                        | Description   | \$       |
| 7956                        | AIR MOTOR REPAIR KIT<br>(includes: 4, 6, 16, 17, 20, 31, 34 )                             | 65.00    |
| 7967                        | PUMP REPAIR KIT - MAJOR MAINTENANCE<br>(includes: 44, 45, 46, 48, 49, 50, 52, 55, 56, 57) | 326.00   |
| 7968                        | PUMP REPAIR KIT - MINOR MAINTENANCE<br>(includes: 45, 49, 51, 52, 55, 56, 57)             | 135.00   |
| 04407070                    | PP7131N PLUNGER PUMP ONLY   | 1,399.00 |
| 04931360                    | MSU PUMP BASE SET W/ AIR REGULATOR SET  | 259.00   |
| 04320150                    | MSU CART FRAME SET  | 180.00   |



### FEATURES

- For solvent and water-based paints
- All Versions Mounted on Cart with:
  - 2 Air regulators
  - Paint filter unit
  - Dip tube with filter
  - Fluid recirculation hose
  - Overpressure valve
  - Antipulsation hose (optional)

### TECHNICAL

|             | n:n  | bar/psi   | bar/psi | l/min         | mesh |
|-------------|------|-----------|---------|---------------|------|
| MSU-323 C   | 17:1 | 115/1,667 | 6.8/98  | 3.4 (90 cyc)  | 50   |
| MSU-323 CTX | 17:1 |           |         | 3.4 (90 cyc)  | 50   |
| MSU-423 TX  | 23:1 | 156/2,262 | 6.8/98  | 8.0 (100 cyc) | 30   |
| MSU-433 TX  | 30:1 | 204/2,958 |         | 5.0 (90 cyc)  | 30   |

Air Nipple: G1/4" • Fluid Nipple: G1/4"

### MSU-323 C

Pump - PP1171C

### MSU-323 CTX

Pump - PP1171CNE

### MSU-423 TX | MSU-433 TX

Pump - PP4231NE

Pump - PP4231CNE



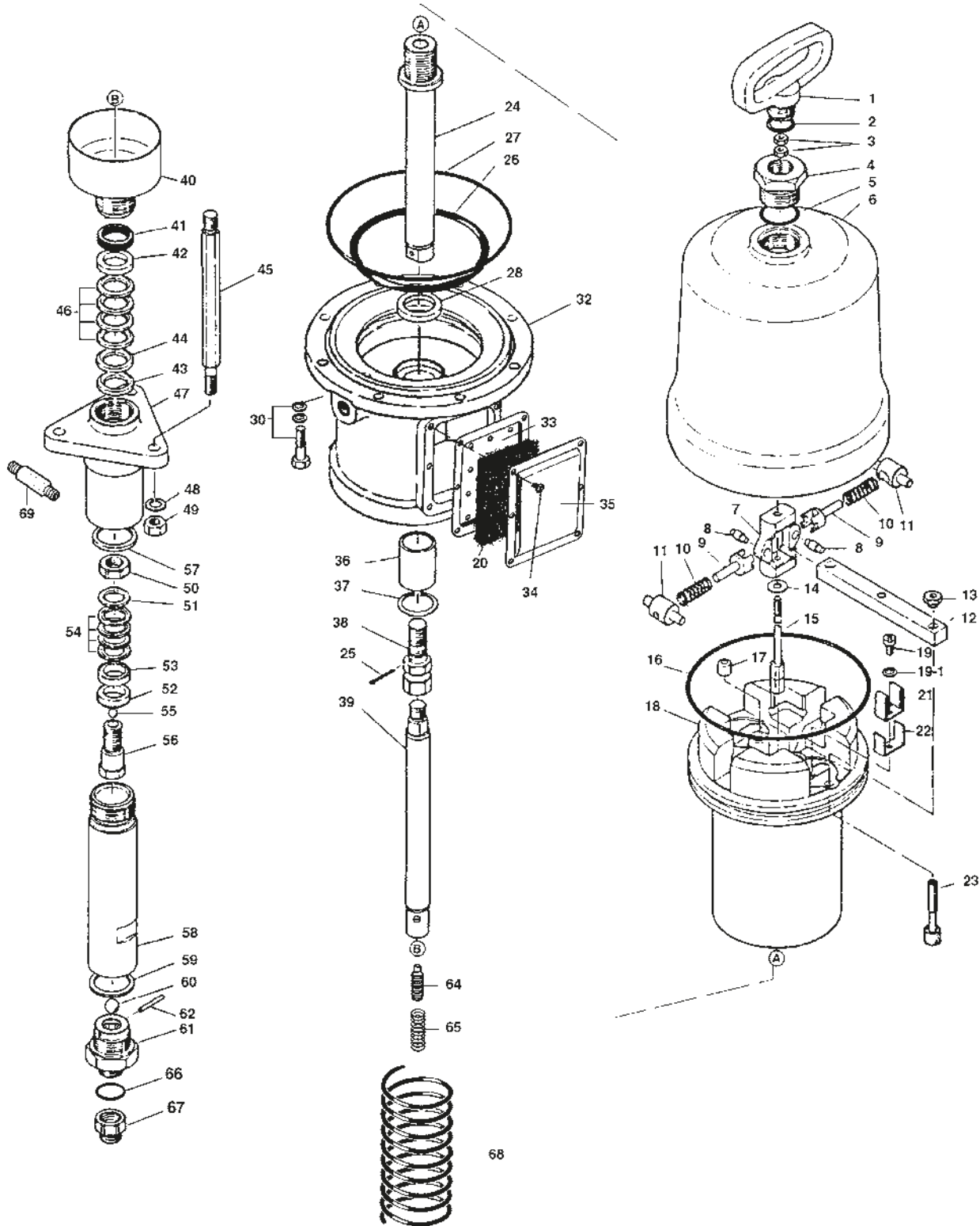
### ORDER Information - MULTI SPRAY UNITS

| Code | Description  | \$       |
|------|--|----------|
| 7180 | MSU-323 C MULTI SPRAY UNIT                                       | 3,269.00 |
| 7183 | MSU-323 CTX MULTI SPRAY UNIT WITH STAINLESS STEEL PAINT PASSAGES | 4,658.00 |
| 7182 | MSU-423 TX MULTI SPRAY UNIT WITH STAINLESS STEEL PAINT PASSAGES  | 5,252.00 |
| 7181 | MSU-433 TX MULTI SPRAY UNIT WITH STAINLESS STEEL PAINT PASSAGES  | 5,300.00 |

### ACCESSORIES

| Code       | Description   | for Version                                | \$     |
|------------|---|--|--------|
| 145600000  | TF 8 COMPLETE FILTER SET                                      | for MSU-323 C                              | 235.00 |
| 145700000  | TF 8N COMPLETE FILTER SET                                     | for MSU-323 CTX, MSU-423 TX and MSU-433 TX | 647.00 |
| 0200309501 | AIR REGULATOR SET   | for MSU-323 C and MSU-323 CTX              | 343.00 |
| 0200309601 | AIR REGULATOR SET   | for MSU-423 TX and MSU-433 TX              | 339.00 |
| 0101009000 | DIP TUBE SET (50 mesh filter)                                 | for MSU-323 C                              | 147.00 |
| 0101030000 | DIP TUBE SET with STAINLESS STEEL CONNECTION (30 mesh filter) | for MSU-423 TX and MSU-433 TX              | 475.00 |
| 0101010000 | DIP TUBE SET with STAINLESS STEEL CONNECTION (50 mesh filter) | for MSU-323 CTX                            | 286.00 |





# MULTI SPRAY UNITS



## MSU-323 C | MSU-323 CTX | MSU-423 TX | MSU-433 TX

| Ref. | Code       | Description                    |             | MSU-323 C/N | MSU-323 CTX | MSU-423 TX | MSU-433 TX | \$     |
|------|------------|--------------------------------|-------------|-------------|-------------|------------|------------|--------|
| 1    | 04470100   | HANDLE                         |             | X           | X           | X          | X          | 35.00  |
| 2    | 94447100   | PACKING                        |             | X           | X           | X          | X          | 6.00   |
| 3    | UL300702   | HEXAGON NUT                    |             | X           | X           | X          | X          | 2.00   |
| 4    | 04435100   | HEAD BOLT                      |             |             |             |            |            | 24.00  |
| 4    | 04435150   | HEAD BOLT                      |             | X           | X           | X          | X          | 21.00  |
| 5    | 06630030   | O RING                         |             | X           | X           | X          | X          | 2.00   |
| 6    | 0440110000 | AIR CYLINDER                   |             |             |             |            |            | 177.00 |
| 6    | 0440115000 | AIR CYLINDER                   |             | X           | X           | X          | X          | 221.00 |
| 7    | 04409100   | CHANGEVER MAIN BODY            |             |             |             |            |            | 163.00 |
| 7    | 04409150   | CHANGEVER MAIN BODY            |             | X           | X           | X          | X          | 67.00  |
| 8    | 04420100   | PIN                            |             |             |             |            |            | 11.00  |
| 8    | 04420150   | PIN                            |             | X           | X           | X          | X          | 12.00  |
| 9    | 04411100   | CHANGEVER PIN                  |             |             |             |            |            | 39.00  |
| 9    | 04411150   | CHANGEVER PIN                  |             | X           | X           | X          | X          | 39.00  |
| 10   | 04412100   | SPRING                         |             |             |             |            |            | 5.00   |
| 10   | 04412150   | SPRING                         |             | X           | X           | X          | X          | 5.00   |
| 11   | 04419100   | SPRING HOLDER                  |             |             |             |            |            | 23.00  |
| 11   | 04419150   | SPRING HOLDER                  |             | X           | X           | X          | X          | 27.00  |
| 12   | 04407100   | CHANGEVER BAR                  |             |             |             |            |            | 62.00  |
| 12   | 04407150   | CHANGEVER BAR                  |             | X           | X           | X          | X          | 46.00  |
| 13   | 04415100   | NUT                            |             |             |             |            |            | 5.00   |
| 13   | 04415150   | NUT                            |             | X           | X           | X          | X          | 5.00   |
| 14   | 04444110   | WASHER                         |             | X           | X           | X          | X          | 3.00   |
| 15   | 04410100   | CHANGEVER ROD                  |             |             |             |            |            | 35.00  |
| 15   | 04410150   | CHANGEVER ROD                  |             | X           | X           | X          | X          | 15.00  |
| 16   | 06638043   | PISTON O-RING                  |             |             |             |            |            | 2.00   |
| 16   | 06630145   | PISTON O-RING                  |             | X           | X           | X          | X          | 2.00   |
| 17   | 94935680   | EXHAUST PACKING SET            | 2 pcs./1pk. | X           | X           | X          | X          | 10.00  |
| 18   | 0440310000 | AIR PISTON                     |             |             |             |            |            | 283.00 |
| 18   | 0440315000 | AIR PISTON                     |             | X           | X           | X          | X          | 443.00 |
| 19   | UL300606   | SCREW                          |             | X           | X           | X          | X          | 2.00   |
| 19-1 | UL300820   | SPRING WASHER                  |             | X           | X           | X          | X          | 4.00   |
| 20   | UM331028   | MUFFLER FILTER                 |             | X           | X           | X          | X          | 2.00   |
| 21   | 04408100   | CHANGEVER BAR SUPPORT          |             |             |             |            |            | 15.00  |
| 21   | 04408150   | CHANGEVER BAR SUPPORT          |             | X           | X           | X          | X          | 15.00  |
| 22   | 04413100   | REINFORCE PLATE                |             |             |             |            |            | 9.00   |
| 22   | 04413150   | REINFORCE PLATE                |             | X           | X           | X          | X          | 9.00   |
| 23   | 04934690   | VALVE SHAFT KIT                | 2 pcs./1pk. |             |             |            |            | 73.00  |
| 23   | 04936570   | VALVE SHAFT KIT                | 2 pcs./1pk. | X           | X           | X          | X          | 83.00  |
| 24   | 04479100   | PISTON ROD                     |             |             |             |            |            | 106.00 |
| 24   | 04479150   | PISTON ROD                     |             | X           | X           | X          | X          | 131.00 |
| 25   | UM330155   | SPLIT PIN                      |             | X           | X           | X          | X          | 2.00   |
| 26   | 96638039   | O RING                         |             |             |             |            |            | 12.00  |
| 26   | 96630112   | O RING                         |             | X           | X           | X          | X          | 3.00   |
| 27   | 96634120   | O RING                         |             |             |             |            |            | 9.00   |
| 27   | 96637537   | O RING                         |             | X           | X           | X          | X          | 11.00  |
| 28   | 04459100   | STOPPER                        |             | X           | X           | X          | X          | 4.00   |
| 30   | 06137130   | BOLT + WASHER                  |             |             |             |            |            | 2.00   |
| 30   | 06137830   | BOLT + WASHER                  |             | X           | X           | X          | X          | 2.00   |
| 32   | UM33102102 | MAIN BODY                      |             |             |             |            |            | 212.00 |
| 32   | UM43102102 | MAIN BODY                      |             | X           | X           | X          | X          | 230.00 |
| 33   | UM331027   | MUFFLER PLATE                  |             | X           | X           | X          | X          | 15.00  |
| 34   | UL300620   | SCREW                          |             | X           | X           | X          | X          | 2.00   |
| 35   | UM331026   | EXHAUST COVER                  |             | X           | X           | X          | X          | 14.00  |
| 36   | 04431100   | BUSHING                        |             |             |             |            |            | 68.00  |
| 36   | 04431150   | BUSHING                        |             | X           | X           | X          | X          | 68.00  |
| 37   | UL300804   | STOPPER                        |             |             |             |            |            | 4.00   |
| 37   | UM431060   | STOPPER                        |             | X           | X           | X          | X          | 2.00   |
| 38   | 04485100   | CONNECTING ADAPTOR             |             |             |             |            |            | 13.00  |
| 38   | 04485150   | CONNECTING ADAPTOR             |             | X           | X           | X          | X          | 13.00  |
| 39   | 0231001000 | ROD                            |             | X           |             |            |            | 404.00 |
| 39   | 04430150   | ROD                            |             |             | X           |            |            | 286.00 |
| 39   | 04002790   | ROD                            |             |             |             | X          |            | 407.00 |
| 40   | 0231002001 | THINNER CUP SET                |             | X           |             |            |            | 117.00 |
| 40   | 0448215002 | THINNER CUP SET                |             |             | X           |            |            | 107.00 |
| 40   | 0171003001 | THINNER CUP SET                |             |             |             | X          |            | 114.00 |
| 41   | 04471100   | SLEEVE                         |             |             |             |            |            | 33.00  |
| 41   | 04010700   | SLEEVE                         |             | X           |             |            |            | 4.00   |
| 41   | 04471150   | SLEEVE                         |             |             | X           |            |            | 30.00  |
| 41   | 0171009000 | SLEEVE                         |             |             |             | X          |            | 6.00   |
| 42   | 94441100   | V PACKING FEMALE UPPER ADAPTOR |             |             |             |            |            | 19.00  |
| 42   | 0231003000 | V PACKING FEMALE UPPER ADAPTOR |             | X           |             |            |            | 29.00  |
| 42   | 94441150   | V PACKING FEMALE UPPER ADAPTOR |             |             | X           |            |            | 20.00  |
| 42   | 04004790   | V PACKING FEMALE UPPER ADAPTOR |             |             |             | X          |            | 29.00  |
| 43   | 0231025000 | SPACER                         |             | X           |             |            |            | 13.00  |
| 43   | 04401160   | SPACER                         |             |             | X           | X          |            | 13.00  |
| 43   | 04001160   | SPACER                         |             |             |             |            | X          | 13.00  |
| 44   | 04443100   | V PACKING MALE UPPER ADAPTOR   |             |             |             |            |            | 25.00  |
| 44   | 0231005000 | V PACKING MALE UPPER ADAPTOR   |             | X           |             |            |            | 24.00  |
| 44   | 04443150   | V PACKING MALE UPPER ADAPTOR   |             |             | X           |            |            | 23.00  |
| 44   | 04000800   | V PACKING MALE UPPER ADAPTOR   |             |             |             | X          |            | 27.00  |
| 44   | 0444320000 | V PACKING MALE UPPER ADAPTOR   |             |             |             |            | X          | 21.00  |





**MSU-323 C | MSU-323 CTX | MSU-423 TX | MSU-433 TX**

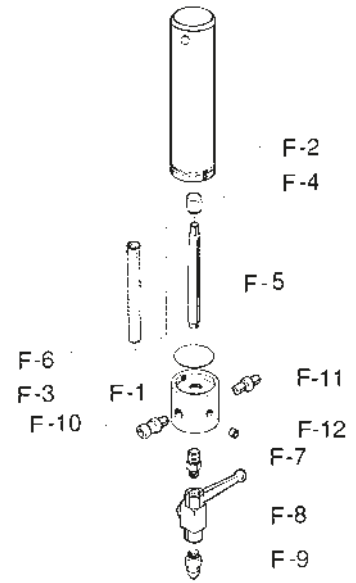
| Ref. | Code       | Description                    |             | MSU-323 C/N | MSU-323 CTX | MSU-423 TX | MSU-433 TX | \$     |
|------|------------|--------------------------------|-------------|-------------|-------------|------------|------------|--------|
| 45   | 0443011000 | CONNECTING ROD                 |             |             |             |            |            | 24.00  |
| 45   | 0231022001 | CONNECTING ROD                 |             | X           |             | X          |            | 27.00  |
| 45   | 0443016000 | CONNECTING ROD                 |             |             | X           |            | X          | 24.00  |
| 46   | 0493210000 | UPPER V PACKING SET            | 4 pcs./1pk. |             |             |            |            | 23.00  |
| 46   | 0494231100 | UPPER V PACKING SET            | 4 pcs./1pk. | X           |             |            |            | 32.00  |
| 46   | 0494015000 | UPPER V PACKING SET            | 4 pcs./1pk. |             | X           | X          |            | 41.00  |
| 46   | 0494020000 | UPPER V PACKING SET            | 4 pcs./1pk. |             |             |            | X          | 37.00  |
| 47   | 0448310100 | SUCTION MAIN BODY              |             |             |             |            |            | 98.00  |
| 47   | 0231008001 | SUCTION MAIN BODY              |             | X           |             | X          |            | 150.00 |
| 47   | 0448315100 | SUCTION MAIN BODY              |             |             | X           |            |            | 106.00 |
| 47   | 0448320200 | SUCTION MAIN BODY              |             |             |             |            | X          | 142.00 |
| 48   | UL300802   | SPRING WASHER                  |             | X           | X           | X          | X          | 2.00   |
| 49   | UL300703   | HEXAGON NUT                    |             | X           | X           | X          | X          | 2.00   |
| 50   | 94445110   | NUT                            |             |             |             |            |            | 41.00  |
| 50   | 0231020000 | NUT                            |             | X           |             |            |            | 14.00  |
| 50   | 94414150   | NUT                            |             |             | X           |            |            | 55.00  |
| 50   | 04000790   | NUT                            |             |             |             | X          |            | 62.00  |
| 50   | 0444520000 | NUT                            |             |             |             |            | X          | 21.00  |
| 51   | 04443110   | V PACKING MALE LOWER ADAPTOR   |             |             |             |            |            | 10.00  |
| 51   | 0231019000 | V PACKING MALE LOWER ADAPTOR   |             | X           |             |            |            | 22.00  |
| 51   | 94443161   | V PACKING MALE LOWER ADAPTOR   |             |             | X           |            |            | 21.00  |
| 51   | 04001800   | V PACKING MALE LOWER ADAPTOR   |             |             |             | X          |            | 24.00  |
| 51   | 0444321100 | V PACKING MALE LOWER ADAPTOR   |             |             |             |            | X          | 21.00  |
| 52   | 04402110   | LOWER DISTANCE RING            |             |             |             |            |            | 13.00  |
| 52   | 0231010000 | LOWER DISTANCE RING            |             | X           |             |            |            | 10.00  |
| 52   | 04400160   | LOWER DISTANCE RING            |             |             | X           |            |            | 13.00  |
| 52   | 0400016000 | LOWER DISTANCE RING            |             |             |             | X          |            | 14.00  |
| 53   | 04441110   | V PACKING FEMALE LOWER ADAPTOR |             |             |             |            |            | 20.00  |
| 53   | 0231017000 | V PACKING FEMALE LOWER ADAPTOR |             | X           |             |            |            | 19.00  |
| 53   | 04441160   | V PACKING FEMALE LOWER ADAPTOR |             |             | X           |            |            | 18.00  |
| 53   | 04005790   | V PACKING FEMALE LOWER ADAPTOR |             |             |             | X          |            | 24.00  |
| 53   | 0444121100 | V PACKING FEMALE LOWER ADAPTOR |             |             |             |            | X          | 22.00  |
| 54   | 0493010000 | LOWER V PACKING SET            | 4 pcs./1pk. |             |             |            |            | 19.00  |
| 54   | 0494231200 | LOWER V PACKING SET            | 4 pcs./1pk. | X           |             |            |            | 32.00  |
| 54   | 0494215000 | LOWER V PACKING SET            | 4 pcs./1pk. |             | X           | X          |            | 30.00  |
| 54   | 0494220000 | LOWER V PACKING SET            | 4 pcs./1pk. |             |             |            | X          | 37.00  |
| 55   | 96662025   | BALL                           |             |             | X           |            | X          | 6.00   |
| 55   | 06662040   | BALL                           |             | X           |             |            |            | 10.00  |
| 55   | 06662026   | BALL                           |             |             |             | X          |            | 6.00   |
| 56   | 04461100   | VALVE HOLDER SET               |             |             |             |            |            | 258.00 |
| 56   | 0231029001 | VALVE HOLDER SET               |             | X           |             |            |            | 219.00 |
| 56   | 04460160   | VALVE HOLDER SET               |             |             | X           |            |            | 272.00 |
| 56   | 0446017100 | VALVE HOLDER SET               |             |             |             | X          |            | 219.00 |
| 56   | 0446120000 | VALVE HOLDER SET               |             |             |             |            | X          | 90.00  |
| 57   | 94447600   | UPPER PACKING                  |             |             |             |            |            | 11.00  |
| 57   | 0231007000 | UPPER PACKING                  |             | X           |             |            |            | 9.00   |
| 57   | 94447150   | UPPER PACKING                  |             |             | X           |            |            | 11.00  |
| 57   | 0231015000 | UPPER PACKING                  |             |             |             | X          |            | 13.00  |
| 57   | 0444720000 | UPPER PACKING                  |             |             |             |            | X          | 4.00   |
| 58   | 0443410001 | SUCTION TUBE                   |             |             |             |            |            | 342.00 |
| 58   | 0231024000 | SUCTION TUBE                   |             | X           |             |            |            | 418.00 |
| 58   | 0443415001 | SUCTION TUBE                   |             |             | X           |            |            | 296.00 |
| 58   | 0171001000 | SUCTION TUBE                   |             |             |             | X          |            | 536.00 |
| 58   | 0443420000 | SUCTION TUBE                   |             |             |             |            | X          | 381.00 |
| 59   | 94447610   | LOWER PACKING                  |             |             |             |            | X          | 11.00  |
| 59   | 0231030000 | LOWER PACKING                  |             | X           |             | X          |            | 13.00  |
| 59   | 94447160   | LOWER PACKING                  |             |             | X           |            |            | 11.00  |
| 60   | 96662050   | BALL                           |             |             | X           |            |            | 11.00  |
| 60   | 06662051   | BALL                           |             | X           |             | X          |            | 14.00  |
| 60   | 06662040   | BALL                           |             |             |             |            | X          | 4.00   |
| 61   | 04407060   | VALVE ADAPTOR SET              |             |             |             |            |            | 109.00 |
| 61   | 0231028000 | VALVE ADAPTOR SET              |             | X           |             | X          |            | 348.00 |
| 61   | 04460150   | VALVE ADAPTOR SET              |             |             | X           |            |            | 109.00 |
| 61   | 0446020000 | VALVE ADAPTOR SET              |             |             |             |            | X          | 111.00 |
| 62   | 04420600   | PIN                            |             |             |             |            | X          | 2.00   |
| 62   | 0231023000 | PIN                            |             | X           |             | X          |            | 8.00   |
| 62   | 04420160   | PIN                            |             |             | X           |            |            | 4.00   |
| 63   | 04420170   | PIN                            |             |             | X           | X          |            | 4.00   |
| 63   | 0657502000 | PIN                            |             |             |             |            | X          | 2.00   |
| 64   | 0231009000 | SCREW                          |             | X           |             |            |            | 2.00   |
| 65   | 0231014000 | SPRING                         |             | X           |             |            |            | 2.00   |
| 66   | 0231031000 | PACKING                        |             | X           |             | X          |            | 4.00   |
| 67   | UL30046400 | NIPPLE                         |             | X           |             | X          |            | 45.00  |
| 68   | 04413050   | SPRING                         |             | X           | X           | X          | X          | 15.00  |
| 69   | UM43061000 | FLUID OUTPUT JOINT             |             | X           |             |            |            | 29.00  |
| 69   | UM43060900 | FLUID OUTPUT JOINT             |             |             |             | X          |            | 29.00  |
| 72   | UM43061101 | FLUID OUTPUT JOINT             |             |             | X           |            | X          | 23.00  |



PAINT FILTER UNITS

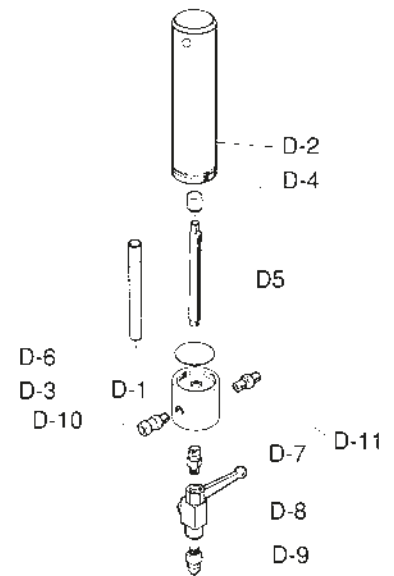
**TF8** for ALS-333 C | ALS-433 C | MSU-323 C

| Ref. | Code             | Description                          |                     | \$            |
|------|------------------|--------------------------------------|---------------------|---------------|
|      | <b>145600000</b> | <b>TF8 COMPLETE PAINT FILTER SET</b> |                     | <b>235.00</b> |
| F-1  | 04560670         | BODY                                 |                     | 58.00         |
| F-2  | 04561670         | CYLINDER                             |                     | 90.00         |
| F-3  | 0457000300       | SCREW                                |                     | 41.00         |
| F-4  | 0457000400       | NUT                                  |                     | 10.00         |
| F-5  | 96639045         | O RING                               |                     | 29.00         |
| F-6  | VFM2503          | FILTER 100 Mesh                      |                     | 5.00          |
| F-7  | UL300020         | NIPPLE                               | R 3/8" M - R 1/4" M | 1,90          |
| F-8  | UL300900         | DRAIN VALVE                          | G 1/4" FF           | 86.00         |
| F-9  | UL300302         | HOSE JOINT                           | R 1/4" M - M8X6     | 5.00          |
| F-10 | UL300018         | SWIVEL JOINT                         | R 1/4" M - G 1/4" F | 13.00         |
| F-11 | UL300012         | NIPPLE                               | G 1/4" M - R 1/4" M | 10.00         |
| F-12 | 96990412         | PLUG                                 | R 1/4"              | 6.00          |



**TF8 N** for ALS-423 | ALS-433  
MSU-323 C | MSU-423 TX | MSU-433 TX | MSU-113N

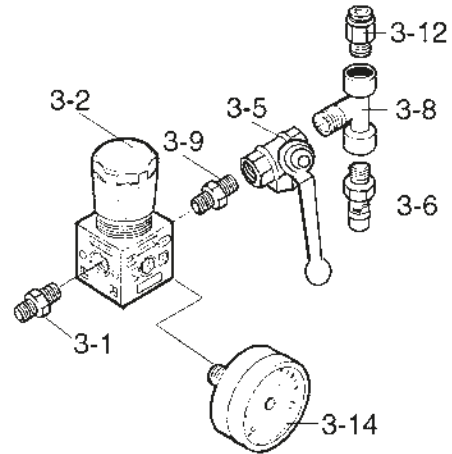
| Ref. | Code             | Description                      |                     | \$            |
|------|------------------|----------------------------------|---------------------|---------------|
|      | <b>145700000</b> | <b>TF8 N COMPLETE FILTER SET</b> |                     | <b>647.00</b> |
| D-1  | 0457000200       | BODY                             |                     | 156.00        |
| D-2  | 0457000100       | CYLINDER                         |                     | 157.00        |
| D-3  | 0457000300       | SCREW                            |                     | 41.00         |
| D-4  | 0457000400       | NUT                              |                     | 10.00         |
| D-5  | 96639045         | O RING                           |                     | 29.00         |
| D-6  | VFM2503          | FILTER 100 Mesh                  |                     | 5.00          |
| D-7  | UL300453         | NIPPLE                           | R 1/4" M - R 3/8" M | 34.00         |
| D-8  | UL30090100       | DRAIN VALVE                      | G 1/4" FF           | 159.00        |
| D-9  | UL300302         | HOSE JOINT                       | R 1/4" M - M8X6     | 5.00          |
| D-10 | UL300402         | UNION JOINT                      | MF 3/8"             | 68.00         |
| D-11 | UL30046300       | FLUID OUTPUT JOINT               | M 3/8" - G 1/4" M   | 31.00         |



## AIR REGULATORS

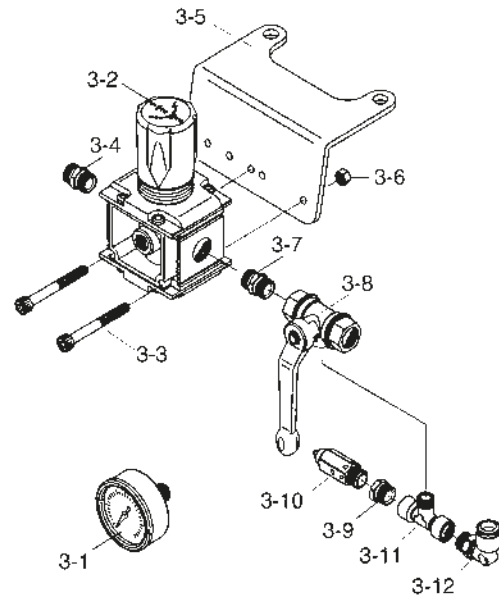
### AIR REGULATOR for ALS-333 C

| Ref. | Code              | Description                  |                  | \$            |
|------|-------------------|------------------------------|------------------|---------------|
|      | <b>0200309101</b> | <b>AIR REGULATOR SET</b>     |                  | <b>193.00</b> |
| 3-1  | UL30010501        | SPECIAL NIPPLE               | G1/4" M-R 1/4"MM | 11.00         |
| 3-2  | UI00070000        | AIR REGULATOR                | G1/4"            | 140.00        |
| 3-5  | UL30034901        | BALL VALVE WITH EXHAUST HOLE | G 1/4" FF        | 65.00         |
| 3-6  | UL30036000        | SAFETY VALVE                 | G 1/4"           | 46.00         |
| 3-8  | UL30030000        | "T" JOINT                    | 1/4" F/M/F       | 7.00          |
| 3-9  | UL300101          | NIPPLE                       | 1/4" MM          | 5.00          |
| 3-12 | UL300312          | QUICK JOINT                  | 1/4" M           | 7.00          |
| 3-14 | 02004003          | PRESSURE GAUGE               | (Optional)       | 52.00         |



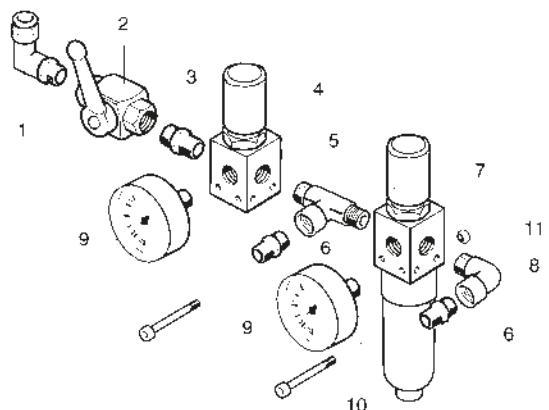
### AIR REGULATOR ALS-433 C | ALS-433 | ALS-423 TX

| Ref  | Code              | Description              |            | \$            |
|------|-------------------|--------------------------|------------|---------------|
|      | <b>0200309401</b> | <b>AIR REGULATOR SET</b> |            | <b>220.00</b> |
| 3-1  | 02004003          | PRESSURE GAUGE           | (Optional) | 52.00         |
| 3-2  | UI00080000        | AIR REGULATOR 3/8"       |            | 96.00         |
| 3-3  | UL30061900        | SCREW                    |            | 2.00          |
| 3-4  | 0475050110        | JOINT G1/4"- R 3/8"      |            | 4.00          |
| 3-5  | UL00005200        | PLATE                    |            | 21.00         |
| 3-6  | UL30070600        | NUT                      |            | 2.00          |
| 3-7  | UL30010200        | NIPPLE R3/8"             |            | 3.00          |
| 3-8  | UL30034801        | 3 WAY VALVE 3/8"         |            | 55.00         |
| 3-9  | UL300163          | REDUCTION R3/8" G1/4" MF |            | 2.00          |
| 3-10 | UL30036000        | SAFETY VALVE G 1/4"      |            | 46.00         |
| 3-11 | UL30029800        | "T" JOINT 3/8" F/M/F     |            | 7.00          |
| 3-12 | UL30031300        | QUICK JOINT 3/8" 10x12   |            | 10.00         |



### AIR REGULATOR for MSU 113N

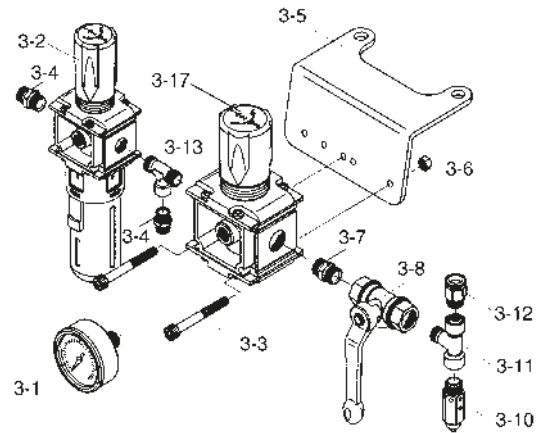
| Ref | Code            | Description                  |                  | \$            |
|-----|-----------------|------------------------------|------------------|---------------|
|     | <b>04307151</b> | <b>AIR REGULATOR SET</b>     |                  | <b>287.00</b> |
| 1   | UL300309        | "L" QUICK COUPLING           | 1/4"MM           | 17.00         |
| 2   | UL30034901      | BALL VALVE WITH EXHAUST HOLE | G 1/4" FF        | 65.00         |
| 3   | UL300101        | NIPPLE                       | 1/4" MM          | 5.00          |
| 4   | UI00070000      | AIR REGULATOR                | G 1/4"           | 140.00        |
| 5   | UL300303        | UNION "T" JOINT              | G1/4"F-R1/4"MM   | 10.00         |
| 6   | UL30010501      | SPECIAL NIPPLE               | G1/4" M-R 1/4"MM | 11.00         |
| 7   | UI00070100      | AIR REGULATOR + FILTER       | G 1/4"           | 198.00        |
| 8   | UL300201        | "L" JOINT 1/4" MF            |                  | 5.24          |
| 9   | 02004003        | PRESSURE GAUGE               | (Optional)       | 32.00         |
| 10  | UL300615        | HEXAGON SOCKET BOLT          | (Optional)       | 3.00          |
| 11  | UL300700        | HEXAGON NUT                  |                  | 4.00          |



AIR REGULATORS

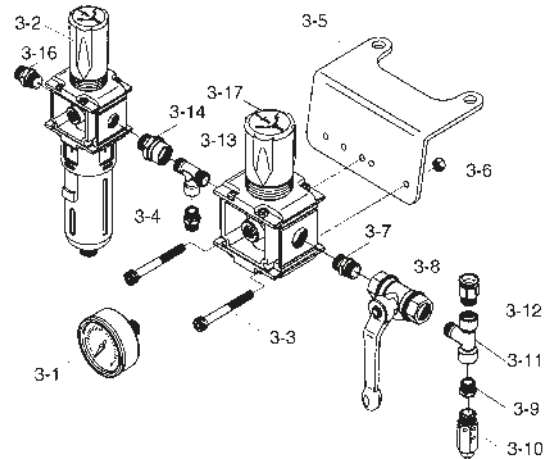
**AIR REGULATOR** for MSU-323 C | MSU-323 CTX

| Ref. | Code              | Description                  |                 | \$            |
|------|-------------------|------------------------------|-----------------|---------------|
|      | <b>0200309501</b> | <b>AIR REGULATOR SET</b>     |                 | <b>343.00</b> |
| 3-1  | 02004003          | PRESSURE GAUGE               | (Optional)      | 52.00         |
| 3-2  | UI00070100        | AIR REGULATOR + FILTER       | G 1/4"          | 198.00        |
| 3-3  | UL300615          | SCREW                        | (Optional)      | 3.00          |
| 3-4  | UL30010501        | SPECIAL NIPPLE               | G1/4" M-R 1/4"M | 11.00         |
| 3-5  | UL00005200        | PLATE                        | (Optional)      | 21.00         |
| 3-6  | UL300700          | HEXAGON NUT                  | (Optional)      | 4.00          |
| 3-7  | UL300101          | NIPPLE                       | 1/4" MM         | 5.00          |
| 3-8  | UL30034901        | BALL VALVE WITH EXHAUST HOLE | G 1/4" FF       | 65.00         |
| 3-10 | UL30036000        | SAFETY VALVE                 | G 1/4"          | 46.00         |
| 3-11 | UL30030000        | "T" JOINT                    | 1/4" F/M/F      | 7.00          |
| 3-12 | UL300312          | QUICK JOINT                  | 1/4" M          | 7.00          |
| 3-13 | UL300303          | UNION "T" JOINT              | G1/4"F-R1/4"MM  | 10.00         |
| 3-17 | UI00070000        | AIR REGULATOR                | G 1/4"          | 140.00        |



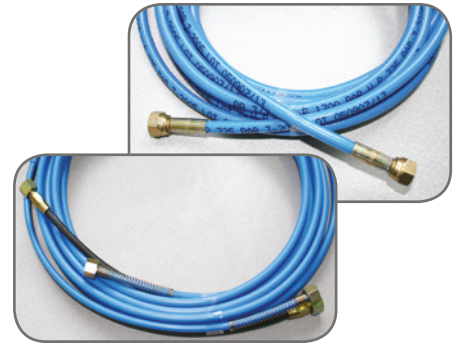
**AIR REGULATOR** for MSU-423 TX | MSU-433 TX

| Ref  | Code              | Description              |                  | \$            |
|------|-------------------|--------------------------|------------------|---------------|
|      | <b>0200309601</b> | <b>AIR REGULATOR SET</b> |                  | <b>339.00</b> |
| 3-1  | 02004003          | PRESSURE GAUGE           | (Optional)       | 52.00         |
| 3-2  | UI00070100        | AIR REGULATOR + FILTER   | G 1/4"           | 198.00        |
| 3-3  | UL30061900        | SCREW                    | (Optional)       | 2.00          |
| 3-4  | 0475050110        | JOINT                    | G 1/4" - R 3/8"  | 4.00          |
| 3-5  | UL00005200        | PLATE                    | (Optional)       | 21.00         |
| 3-6  | UL30070600        | HEXAGON NUT              | (Optional)       | 2.00          |
| 3-7  | UL30010200        | NIPPLE                   | R 3/8"           | 3.00          |
| 3-8  | UL30034801        | THREE WAY VALVE          | 3/8"             | 55.00         |
| 3-9  | UL300163          | REDUCTION                | R 3/8" G 1/4"MF  | 2.00          |
| 3-10 | UL30036000        | SAFETY VALVE             | G 1/4"           | 46.00         |
| 3-11 | UL30029800        | "T"JOINT                 | 3/8" F/M/F       | 7.00          |
| 3-12 | UL30032400        | QUICK JOINT              | 3/8" Ø12         | 5.00          |
| 3-13 | UL30029900        | "T" JOINT                | G3/8" M/F/M      | 15.00         |
| 3-14 | UL300165          | REDUCTION                | R1/4"M - G3/8"F  | 3.00          |
| 3-16 | UL30010501        | SPECIAL NIPPLE           | G1/4" M-R 1/4" M | 11.00         |
| 3-17 | UI00080000        | AIR REGULATOR            | 3/8"             | 96.00         |



## MEDIUM & HIGH PRESSURE HOSES

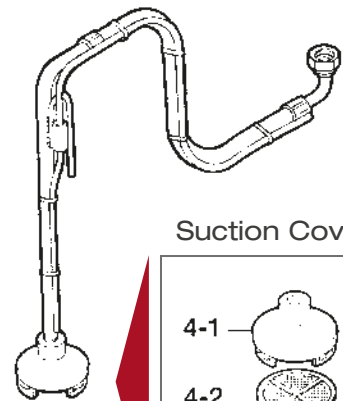
| Code   | Description     |       | Length | Type  | Nipples   | \$     |
|--|-----------------|-------|--------|-------|-----------|--------|
| <b>HIGH PRESSURE HOSES (Fluid) for AIRLESS UNITS</b> |                 |       |        |       |           |        |
| 8250   | NPM325 25' HOSE | 3/16" | 25'    | FLUID | 1/4"-1/4" | 78.00  |
| 8251   | NPM350 50' HOSE | 3/16" | 50'    | FLUID | 1/4"-1/4" | 139.00 |



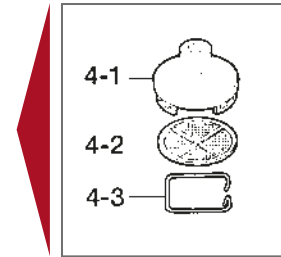
## DIP TUBE with FILTER

| Ref   | Code       | Description   | \$     |
|---|------------|---|--------|
| <b>DIP TUBE for ALS-333 C   ALS-433 C   ALS-453 C   MSU-323 C</b>     |            |   |        |
|   | 0101009000 | DIP TUBE SET with 50 MESH FILTER M15                              | 147.00 |
| 4   | UL10000701 | COMPLETE COVER SET (50 MESH)                                      | 58.00  |
| 4-2   | 0040720100 | FILTER 50 MESH  | 17.50  |
| 4-2   | VFM3012    | FILTER 100 MESH   | 7.00   |
| 4-3   | 00407203   | FILTER STOPPER  | 14.40  |
| <b>DIP TUBE for ALS-423 TX   ALS-433 TX   MSU-423 TX   MSU-433 TX</b> |            |   |        |
|   | 0101030000 | DIP TUBE SET WITH STAINLESS STEEL CONNECTION - FILTER 30 MESH     | 475.00 |
| 4   | UL10001801 | COMPLETE COVER SET ( 30 MESH)                                     | 41.00  |
| 4-2   | 0040720400 | FILTER 30 MESH  | 5.00   |
| 4-3   | 00407203   | FILTER STOPPER  | 4.00   |
|   | 0101010000 | DIP TUBE SET with STAINLESS STEEL CONNECTION - 50 MESH FILTER M15 | 286.00 |
| 4   | UL10000701 | COMPLETE COVER SET (50 MESH)                                      | 58.00  |
| 4-2   | 0040720100 | FILTER 50 MESH  | 17.50  |
| 4-2   | VFM3012    | FILTER 100 MESH   | 7.00   |
| 4-3   | 00407203   | FILTER STOPPER  | 14.40  |
|   | 0101040000 | DIP TUBE SET WITH STAINLESS STEEL CONNECTION - FILTER 50 MESH     | 79.00  |
| 4   | UL10000701 | COMPLETE COVER SET (50 MESH)                                      | 58.00  |

DIP TUBE Set

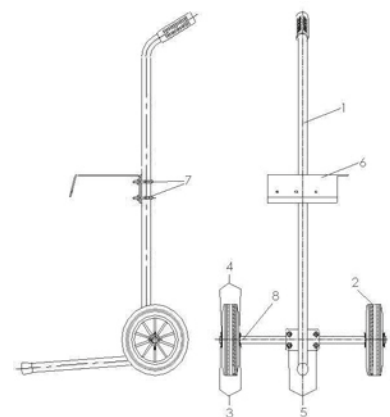


Suction Cover



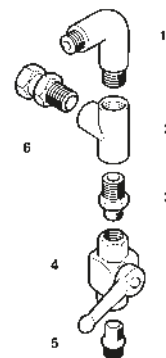
## WHEEL CART for MSU-113N

| Ref. | Code     | Description    | \$     |
|------|----------|----------------|--------|
|      | 04320150 | WHEEL CART SET | 180.00 |
| 1    | 04930360 | FRAME SET      | 94.00  |
| 2    | UL200001 | WHEEL          | 14.00  |
| 3    | UL300811 | SPLIT PIN      | 2.00   |
| 4    | Z00019   | WASHER         | 2.00   |
| 5    | 06991930 | U BOLT         | 5.00   |
| 6    | 04306150 | PUMP BASE      | 88.00  |
| 7    | 04319150 | U BOLT         | 5.00   |
| 8    | 04330150 | SHAFT          | 20.00  |



## DRAIN OPERATING VALVE SET for MSU-113N

| Ref. | Code       | Description               | \$     |
|------|------------|---------------------------|--------|
|      | 04326160   | DRAIN OPERATING VALVE SET | 407.00 |
| 1    | 06858141   | ELBOW MM                  | 72.00  |
| 2    | 06641103   | "T" JOINT FFF             | 52.00  |
| 3    | UL300453   | NIPPLE R 1/4" M- R 3/8" M | 34.00  |
| 4    | UL30090100 | DRAIN VALVE G 1/4" FF     | 159.00 |
| 5    | 06891239   | HOSE JOINT                | 53.00  |
| 6    | UL300402   | UNION JOINT MF 3/8"       | 68.00  |









## **ANEST IWATA USA, Inc.**

10148 Commerce Park Drive  
Cincinnati, Ohio 45246

Toll Free 1-800-440-0282

Tel (513) 755-3100

Fax (513) 755-0888

Info@anestiwata.com

[www.ANESTIWATA.com](http://www.ANESTIWATA.com)

## **PRICE LIST** 2017

