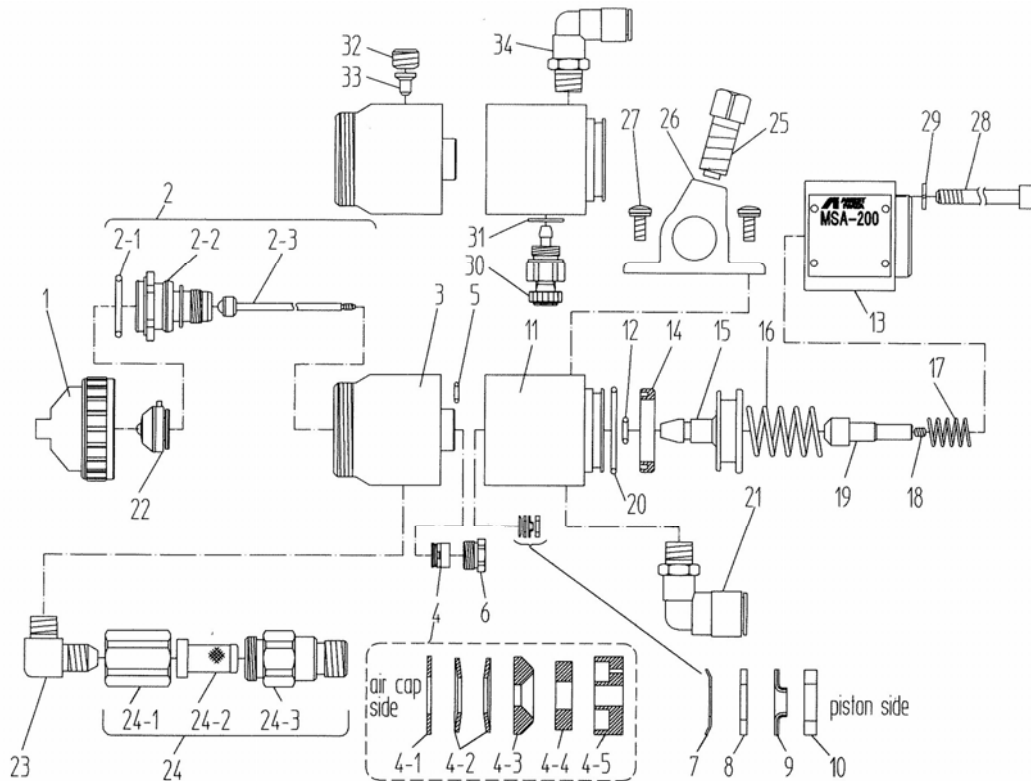


problem	where it happened	where to check	part no.	cause, check, confirm	tighten	adjust	clean	replace		
air leaks	each elbow union connection	each elbow union connection	21 34	weak tightening	<input type="radio"/>					
	air cap set	body module set, piston	11 15	damage on seat				<input type="radio"/>	☆	
				dust on seat			<input type="radio"/>		☆	
air valve spring		16	weak spring				<input type="radio"/>	☆		
fluid leaks	filter set	filter set connection	23	weak tightening	<input type="radio"/>					
			24-1	damage on seat				<input type="radio"/>		
			24-2	dust on seat				<input type="radio"/>		
	tip of nozzle tip, holes of air cap set,	nozzle gland set ~ head module set ~ fluid needle set	2-2	weak tightening	<input type="radio"/>					☆
			2-3,3	damage on seat					<input type="radio"/>	☆
			4	damage on seat					<input type="radio"/>	☆
			17	weak spring					<input type="radio"/>	
fluid needle spring nozzle tip~nozzle gland set air cap set	22	damage on seat					<input type="radio"/>			
	2-2	dust on seat					<input type="radio"/>			
body leak detection hole	needle packing set ~ needle set ~ needle packing seat	2,4	wear					<input type="radio"/>	☆	
6	weak tightening			<input type="radio"/>						
small or no fluid output	fluid supply route	fluid pressure, filter set, fluid hose	2-4	low setting pressure clogged		<input type="radio"/>	<input type="radio"/>	<input type="radio"/>		
	tip of gun	nozzle tip	22	clogged			<input type="radio"/>			
	safety lock	knob	15	unlock		<input type="radio"/>				
	paint	fluid viscosity		high viscosity		<input type="radio"/>				
large buildup on air cap set	air cap set	air cap holes	1	clogged, deformed or damaged paint buildup			<input type="radio"/>	<input type="radio"/>		
			1, 22	deformed or damaged passage				<input type="radio"/>		
			22	clogged wear, damage			<input type="radio"/>	<input type="radio"/>		
incomplete pattern	same as above									
	Atomizing air route	atomizing air pressure		too low (tails arise)		<input type="radio"/>				
				too high (heavy on both ends of spray pattern)		<input type="radio"/>				



○ marked parts are consumable parts.

No.	Part name	Q'ty	Remarks
○ 1	air cap set	1	
○ 2	nozzle-needle set	1	
○ 2-1	o ring	1	
2-2	nozzle gland set	1	
2-3	fluid needle set	1	
3	head module set	1	
○ 4	needle packing set	1	
4-1	washer	1	
4-2	spring washer	2	
4-3	packing holder	1	
4-4	sub packing	1	
4-5	fluid needle packing	1	
5	o ring	2	SM-5
6	needle packing seat	1	
7	snap ring	1	
○ 8	washer	1	
9	air valve packing	1	
10	needle spring holder	1	
11	body module set	1	
○ 12	o ring	1	P-6
13	cylinder module set	1	
○ 14	Y packing	1	
○ 15	piston	1	

No.	Part name	Q'ty	Remarks
16	needle spring	1	
17	stopper set	1	
18	screw	1	female
○ 19	needle spring holder	1	
20	o ring	1	
○ 21	elbow union	1	for ϕ 8
22	nozzle tip	1	NT-2004CMU
23	elbow	1	
24	filter set	1	
○ 24-1	filter case	1	
24-2	filter	1	#200 mesh
○ 24-3	filter joint	1	
25	fixing bolt set	1	
26	clip	1	
27	screw for washer	4	M4
28	bolt	3	M5
29	spring washer	3	for M5
30	pattern adj. set	1	
31	packing	1	
32	plug with hex.hole	1	
33	plug	1	
34	elbow union	1	for ϕ 6